

August 21, 2025

Planning and Zoning Commission  
c/o Abby Conroy, Land Use Director  
Town of Salisbury  
27 Main Street  
P.O. Box 548  
Salisbury, CT 06068

SLR Project No.: 141.22100.00001

**RE: Additional Lighting Specifications and Details  
for Wake Robin Inn Redevelopment Applicant – Aradev, LLC  
Salisbury, Connecticut**

---

Dear Planning and Zoning Commission,

Attached is a specification package and updated Photometric Plan for the proposed lighting program for the redevelopment of the Wake Robin Inn application that reassures that the lighting design uses dark-sky compliant commercial fixtures. Although many of these details and specifications are typically provided at the construction documentation level of a project, due to the detailed discussion during the public hearing process, we felt it would be beneficial for the Commission to have this level of detail for consideration. The revisions to the Photometric Plan includes revised text within the fixture schedule to provide clarity as well as the inclusion of a BUG rating (Backlight, Uplight, and Glare) into the fixture schedule.

Regards,

**SLR International Corporation**

A handwritten signature in black ink, appearing to read "Mark Arigoni", with a long horizontal line extending to the right.

**Mark Arigoni, PLA**  
US Sector Lead  
marigoni@slrconsulting.com

Attachments

141.22100.00001.au2125.ltr

Wake Robin Inn  
Redevelopment Project

ARADEV LLC

Additional Dark Skies  
Compliance,  
Specifications, and  
Photometric

# SATURN CUTOFF

## DarkSky Lighting Criteria



### Commercial Luminaire Criteria

<p><b>A. Uplight:</b> The following are maximum percentages of total luminaire lumens, or maximum lumen amounts, allowed between 90 and 180 degrees above nadir, inclusive (i.e., LCS zones UL and UH combined):</p> <ol style="list-style-type: none"> <li>Luminaires emitting 1,000 lumens or less: A maximum of 5 lumens total is allowed.</li> <li>Luminaires emitting more than 1,000 lumens: No more than 0.5% of the total luminaire lumen output is allowed, up to a maximum of 50 lumens.</li> </ol>
<p><b>B. High angle light:</b> The following are maximum percentages of total luminaire lumens allowed between 80 degrees and 90 degrees from nadir (i.e., LCS zones FVH and BVH combined):</p> <ol style="list-style-type: none"> <li>Luminaires with a Type V or Type VS light distribution (see Sections 1.3.F and 1.3.G, respectively): No more than 5% of the total luminaire lumen output is allowed.</li> <li>Luminaires with all other distribution types: No more than 3% of the luminaire's total lumen output is allowed.</li> </ol>
<p><b>C. Shielding option:</b> For pole mounted street, area, roadway, and parking lot luminaires a pre- or post-installation shielding option must be available and included in the product data sheet (See Section 1.3.D).</p>
<p><b>D. CCT:</b> The light source CCT shall not exceed 3000 K.</p>
<p><b>E. Dimming:</b> The luminaire shall be dimmable to 10% or less of its full light output rating.</p>

### Pedestrian Luminaire Criteria

<p><b>A. Output:</b> The luminaire total light output shall not exceed 10,000 lumens.</p>
<p><b>B. Uplight:</b> The following are maximum percentages of total luminaire lumens, or maximum lumen amounts, allowed between 90 and 180 degrees above nadir, inclusive (i.e., LCS zones UL and UH combined):</p> <ol style="list-style-type: none"> <li>Luminaires emitting 1,000 lumens or less: A maximum of 5 lumens total is allowed.</li> <li>Luminaires emitting more than 1,000 lumens: No more than 0.5% of the total luminaire lumen output is allowed, up to a maximum of 50 lumens.</li> </ol>
<p><b>C. High angle light:</b> For luminaires whose lowest light emitting surface is more than 1.2 meters (4 feet) above the ground, the following are maximum percentages or values allowed in the specified LCS zones or angles above nadir:</p> <ol style="list-style-type: none"> <li>No more than 2% of the luminaire's total output shall be emitting between 80 and 90 degrees above nadir (i.e., LCS zones FVH and BVH combined).</li> <li>No more than 35% of the luminaire's total output shall be emitted between 60 and 80 degrees above nadir (i.e., LCS zones FH and BH combined).</li> <li>The vertical angle of maximum luminous intensity (candelas) shall be no higher than 68 degrees above nadir.</li> </ol>
<p><b>D. CCT:</b> The light source CCT shall not exceed 3000 K.</p>
<p><b>E. Dimming:</b> The luminaire shall be dimmable to 10% or less of its full light output rating.</p>



## SATURN CUTOFF

Catalog Number	Commercial		Pedestrian	
	Yes	No	Yes	No
<b>R1 - OPTICS</b>	Yes	No	Yes	No
SACL-R1-X-5G450-XX-XX-UNV	✓		✓	
SACL-R1-X-5G700-XX-XX-UNV	✓		✓	
SACL-R1-X-5G105-XX-XX-UNV	✓		✓	
<b>R2 - OPTICS</b>	Yes	No	Yes	No
SACL-R2-X-5G450-XX-XX-UNV	✓		✓	
SACL-R2-X-5G700-XX-XX-UNV	✓		✓	
SACL-R2-X-5G105-XX-XX-UNV	✓		✓	
<b>R3 - OPTICS</b>	Yes	No	Yes	No
SACL-R3-X-5G450-XX-XX-UNV	✓		✓	
SACL-R3-X-5G700-XX-XX-UNV	✓		✓	
SACL-R3-X-5G105-XX-XX-UNV	✓		✓	
<b>R3W - OPTICS</b>	Yes	No	Yes	No
SACL-R3W-X-5G450-XX-XX-UNV	✓		✓	
SACL-R3W-X-5G700-XX-XX-UNV	✓		✓	
SACL-R3W-X-5G105-XX-XX-UNV	✓		✓	

Catalog Number	Commercial		Pedestrian	
	Yes	No	Yes	No
<b>R4 - OPTICS</b>	Yes	No	Yes	No
SACL-R4-X-5G450-XX-XX-UNV	✓		✓	
SACL-R4-X-5G700-XX-XX-UNV	✓		✓	
SACL-R4-X-5G105-XX-XX-UNV	✓		✓	
<b>R5Q - OPTICS</b>	Yes	No	Yes	No
SACL-R5Q-X-5G450-XX-XX-UNV	✓		✓	
SACL-R5Q-X-5G700-XX-XX-UNV	✓		✓	
SACL-R5Q-X-5G105-XX-XX-UNV	✓		✓	
<b>R5R - OPTICS</b>	Yes	No	Yes	No
SACL-R5R-X-5G450-XX-XX-UNV	✓		✓	
SACL-R5R-X-5G700-XX-XX-UNV	✓		✓	
SACL-R5R-X-5G105-XX-XX-UNV	✓		✓	
<b>R5S - OPTICS</b>	Yes	No	Yes	No
SACL-R5S-X-5G450-XX-XX-UNV	✓			✗
SACL-R5S-X-5G700-XX-XX-UNV	✓			✗
SACL-R5S-X-5G105-XX-XX-UNV	✓			✗

## SATURN 2 CUTOFF

Catalog Number	Commercial		Pedestrian	
	Yes	No	Yes	No
<b>R1 - OPTICS</b>	Yes	No	Yes	No
SAC2L-R1-X-5G450-XX-XX-UNV	✓		✓	
SAC2L-R1-X-5G700-XX-XX-UNV	✓		✓	
SAC2L-R1-X-5G105-XX-XX-UNV	✓		✓	
<b>R2 - OPTICS</b>	Yes	No	Yes	No
SAC2L-R2-X-5G450-XX-XX-UNV	✓		✓	
SAC2L-R2-X-5G700-XX-XX-UNV	✓		✓	
SAC2L-R2-X-5G105-XX-XX-UNV	✓		✓	
<b>R3 - OPTICS</b>	Yes	No	Yes	No
SAC2L-R3-X-5G450-XX-XX-UNV	✓		✓	
SAC2L-R3-X-5G700-XX-XX-UNV	✓		✓	
SAC2L-R3-X-5G105-XX-XX-UNV	✓		✓	
<b>R3W - OPTICS</b>	Yes	No	Yes	No
SAC2L-R3W-X-5G450-XX-XX-UNV	✓		✓	
SAC2L-R3W-X-5G700-XX-XX-UNV	✓		✓	
SAC2L-R3W-X-5G105-XX-XX-UNV	✓		✓	

Catalog Number	Commercial		Pedestrian	
	Yes	No	Yes	No
<b>R4 - OPTICS</b>	Yes	No	Yes	No
SAC2L-R4-X-5G450-XX-XX-UNV	✓			✗
SAC2L-R4-X-5G700-XX-XX-UNV	✓			✗
SAC2L-R4-X-5G105-XX-XX-UNV	✓			✗
<b>R5Q - OPTICS</b>	Yes	No	Yes	No
SAC2L-R5Q-X-5G450-XX-XX-UNV	✓		✓	
SAC2L-R5Q-X-5G700-XX-XX-UNV	✓		✓	
SAC2L-R5Q-X-5G105-XX-XX-UNV	✓			✗
<b>R5R - OPTICS</b>	Yes	No	Yes	No
SAC2L-R5R-X-5G450-XX-XX-UNV	✓			✗
SAC2L-R5R-X-5G700-XX-XX-UNV	✓			✗
SAC2L-R5R-X-5G105-XX-XX-UNV	✓			✗
<b>R5S - OPTICS</b>	Yes	No	Yes	No
SAC2L-R5S-X-5G450-XX-XX-UNV	✓			✗
SAC2L-R5S-X-5G700-XX-XX-UNV	✓			✗
SAC2L-R5S-X-5G105-XX-XX-UNV	✓			✗

Date: \_\_\_\_\_ Customer: \_\_\_\_\_  
 Project: \_\_\_\_\_  
 Type: \_\_\_\_\_ Qty: \_\_\_\_\_

**selux**

**WAKE ROBIN INN  
 104-106 SHARON ROAD  
 SALISBURY, CT  
 B3**

**Inula Bollard LED**



**Order Code:** IBL - IBL - 2 - 2Q90 - 27 - FINISH - UNV

IBL	Series	<b>IBL</b> Inula Bollard LED							
	Height	1.5 1.5' (consult factory)	<b>2</b> 2' (consult factory)	2.5 2.5'	3 3'	3.5 3.5'	4 4'		
	Light Engine	1Q <sup>1</sup> 7.6W/577lm	<b>2Q90</b> 14.1W/1156lm	2Q90MU 14.1W/854lm (max uniformity)	2Q180 14.1W/1156lm	3Q 20.5W/1689lm	4QS 27.2W/2246lm	4QD 27.2W/2246lm	*Based on 5000K CCT. <sup>1</sup> Not available with EM.
	CCT	AM <sup>2</sup> Amber	<b>27<sup>2*</sup></b> 2700K	30 <sup>2</sup> 3000K	35 <sup>*</sup> 3500K	40 4000K	50 <sup>*</sup> 5000K		<sup>2</sup> DarkSky Approved. *Consult factory
	Finish	<b>WH</b> White	<b>BK</b> Black	<b>BL</b> Semi-Matte Black	<b>BZ</b> Bronze	<b>SV</b> Silver	SP Specify Premium Color		
	Voltage	<b>UNV</b> 120-277V	120 120V	208 208V	240 240V	277 240V	347 <sup>3</sup> 347V	480 <sup>3</sup> 480V	*50 or 60 Hertz. <sup>3</sup> Requires step down transformer, 60 Hertz Only.
	Options	DM Dimming (0-10V)	HL30 <sup>6,9,11</sup> Hi-Lo Switching 100-30%	REC <sup>4,5,15</sup> GFCI Receptacle with weather-proof cover	REC2 <sup>4,5,15</sup> GFCI Receptacle with padlockable in-use cover	REC3 <sup>4,5,15</sup> USB & Duplex Receptacle with weather-proof cover	REC4 <sup>4,5,15</sup> USB & Duplex Receptacle with weatherproof padlockable in-use cover	EM <sup>7,8,12</sup> Emergency Battery Pack -20C	<sup>4</sup> 120V Only. <sup>5</sup> Not available in 2.5' height. <sup>6</sup> Only available with 120V,240V or 277V. <sup>7</sup> Not available with IQ. <sup>8</sup> 120V or 277V only. <sup>9</sup> Not available with DM Option. <sup>10</sup> Not available at 480V. <sup>11</sup> Not available with EM option. <sup>12</sup> Not available with PC or LP option. <sup>13</sup> Not available with HL30 or HP options. <sup>14</sup> For 1Q, 2Qxx and 3Q please consult factory. <sup>15</sup> See page 6 for details.
		PC <sup>10,11</sup> Photocell	LP <sup>11,13,14</sup> Lower Power Version Decreases Light Output by 60%	HP <sup>11</sup> High Power Version Increases Light Output by 100%					

**Product Modifications**

Please list modification requirements for review by factory:

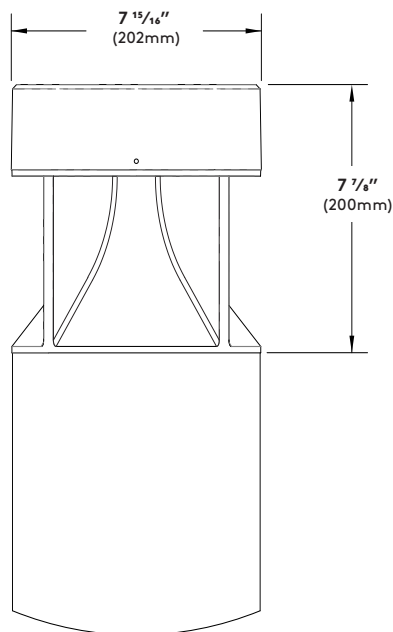
**Approvals**

\_\_\_\_\_

Date:



## IBL



## Specifications

**Fixture Housing** - Die cast low-copper and low-iron aluminum fixture body provides corrosion resistance in marine environments.

**Gasketing** - Continuous gaskets provide weather-proofing, dust, and insect control between castings.

**LED Light Engine** - High efficiency LED light engine equipped with brandname LEDs, available in 2700K, 3000K, 4000K, 5000K CCT tolerance within a 3-step MacAdams ellipse, and Amber CCT. Suitable temperature range (-40C to +45C).

**Optics** - Proprietary vandal and UV resistant acrylic optic provides optimal light blending between quadrants.

**Surge Protector** - Designed to protect luminaire from electrical surge (20kA).

**Hi-Lo Switching Option** - Controlled switching between 100% and 30% power. See wiring diagrams for additional details.

**Low Power Option** - 60% decrease in Lumen output in same physical package.

**High Power Option** - 100% increase in Lumen output in same physical package.

**Light Chamber** - Castings around Light Engine are painted with special Matte Black light absorbing powder coat paint. Meets International DarkSky Association requirements B0, U0, and G0 BUG ratings at 2700K and 3000K CCT.

**Low-Temperature Emergency Battery Pack Option** - Provide 90 minutes of constant-power egress lighting when external power is lost. -20°C to +55°C ambient temperature operation.

**Exterior Luminaire Finish** - Selux utilizes a high quality Polyester Powder Coating. All Selux luminaires and poles are finished in our Tiger Drylac certified facility and undergo a five stage intensive pretreatment process where product is thoroughly cleaned, phosphated and sealed. Selux powder coated products provide excellent salt and humidity resistance as well as ultraviolet resistance for color retention. All products are tested in accordance with test specifications for coatings from ASTM and PCI.

Standard exterior colors are White (WH), Black (BK), Semi-Matte Black (BL), Bronze (BZ), and Silver (SV). Selux premium colors (SP) are available, please specify from your Selux color selection guide.®

**5 Year Limited LED Luminaire Warranty** - Selux offers a 5 Year Limited Warranty to the original purchaser that the Inula Bollard LED luminaire shall be free from defects in material and workmanship for up to five (5) years from date of shipment. This limited warranty covers the LED driver and LED array when installed and operated according to Selux instructions. For details, see "Selux Terms and Condition of Sale."

**Listings and Ratings:** Tested to NRTL Wet Location and IESNA LM-79-08 standards. LED tested to LM-80 standards.

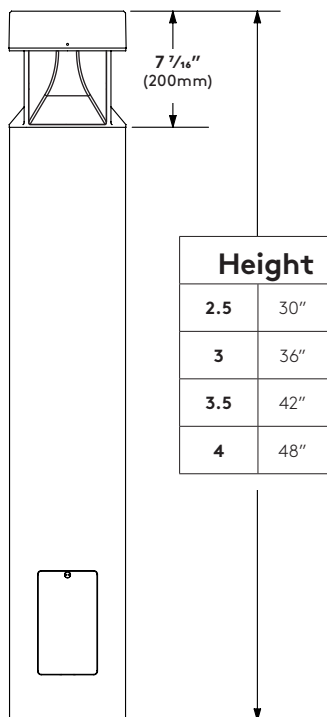
**Luminaire tested to IK10 and IP65 standard, and DarkSky Approved .**

**Luminaire and LED tested at 25°C (77°F) ambient temperature.**

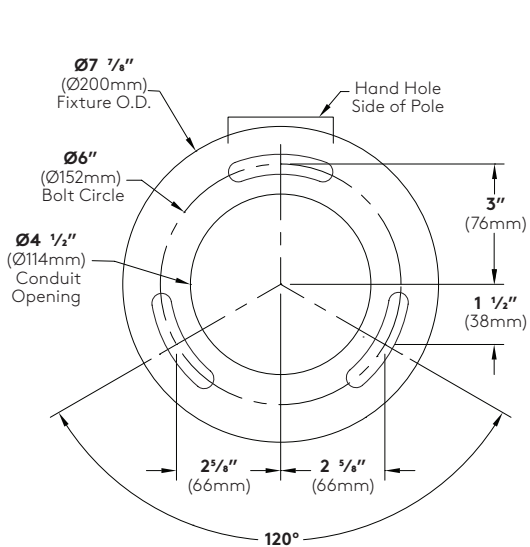
**NRTL listed (C-UL; UL certified/CSA conforming).**

**Visit [selux.us](http://selux.us) for our LED End of Life recycling policy.**

Profiles IBL-XX-4QD



Mounting Information

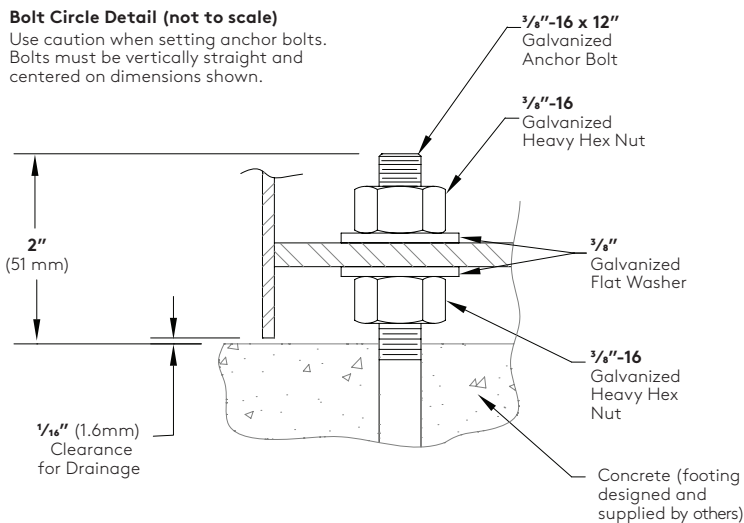


Notes:

1. Bollard orientation is critical, rod and hand hole locations are critical.
2. Locate single bolt at hand hole location.
3. Adequate drainage must be provided in concrete foundation.
4. Conduit should be stubbed up above the concrete footing

Bolt Circle Detail (not to scale)

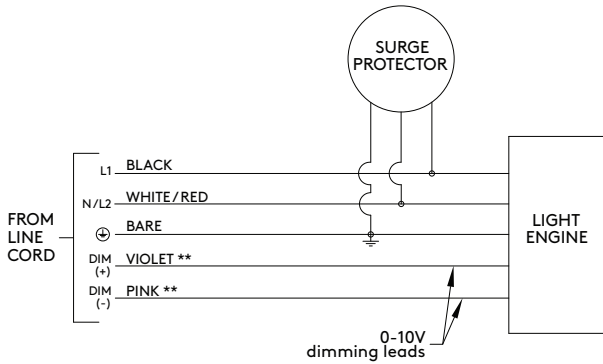
Use caution when setting anchor bolts. Bolts must be vertically straight and centered on dimensions shown.



### Wiring Diagrams

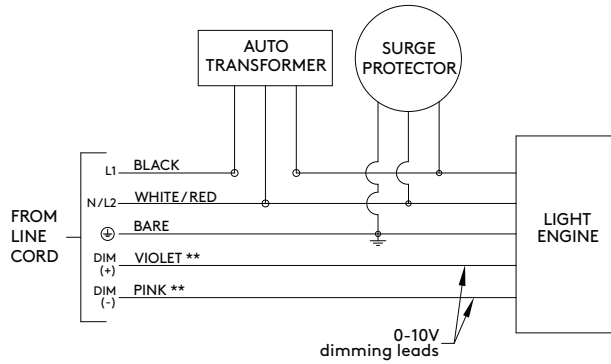
#### Standard Wiring (120V-277V)

\*\*When dimming is not required cap dimming wires.



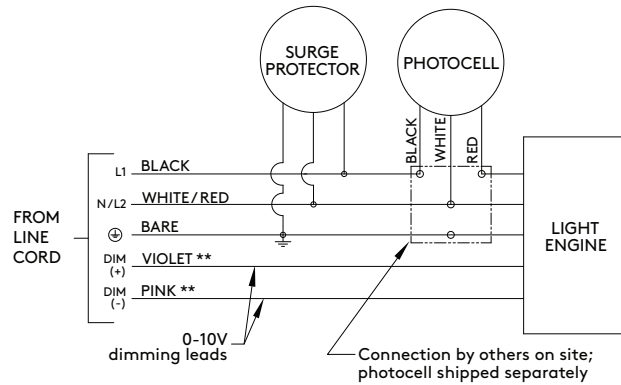
#### Standard Wiring (347/480V with Step-down Transformer)

\*\*When dimming is not required cap dimming wires.



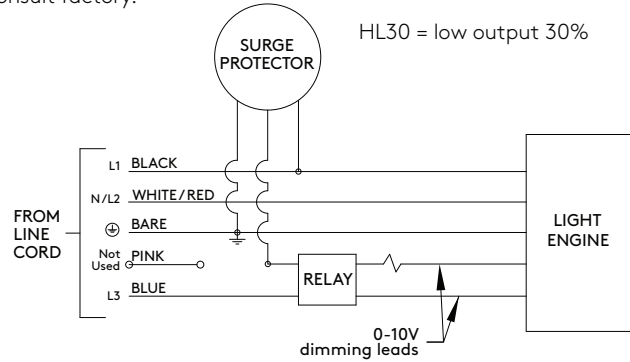
#### Photocell Option (PC) Wiring

\*\*When dimming is not required cap dimming wires.



#### Hi-Lo Switching Option (HL) Wiring HL30 Only

120V, 240V, 277V. When blue is energized, light output will be at "Lo" level. Specify low-level by using the level listed below. For other combinations, consult factory.



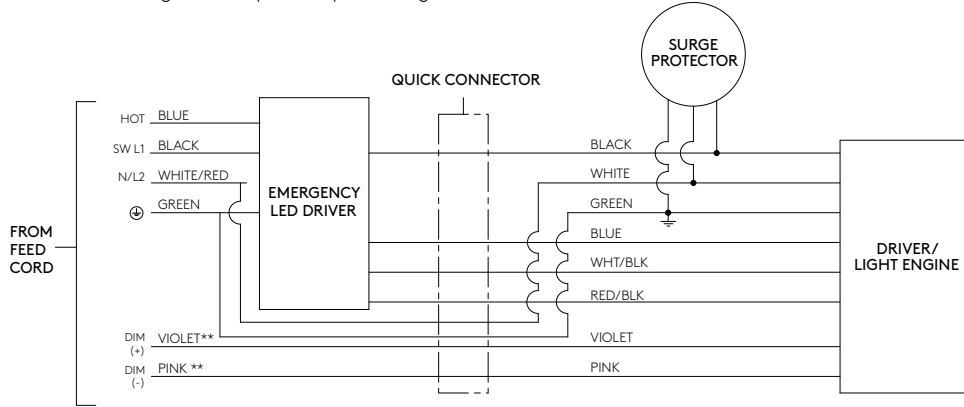
Wire Designation Table		
Source Voltage (VAC)	Wire Color	Wire Designation
120V, 277V, or 347V	Black	L1
	White	Neutral
208V, 240V, or 480V	Black	L1
	Red	L2
UNV (120V-277V)	Black	L1
	White	Neutral (120/277V) or L2 (208/240V)

**Wiring Diagrams**

**Standard Wiring (120V-277V) with (EM) Option**

100% light output at 10V, down to 1% light output at 0V.

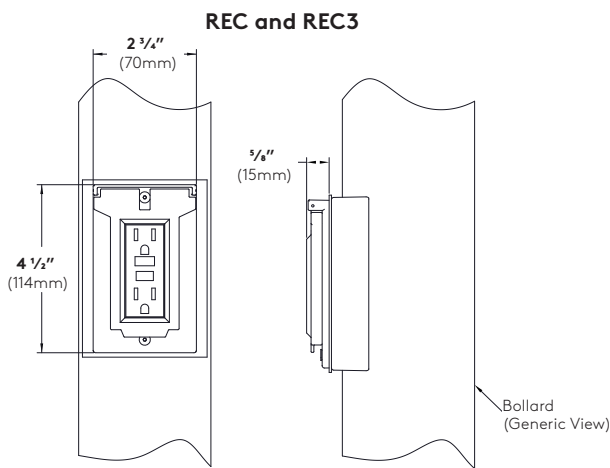
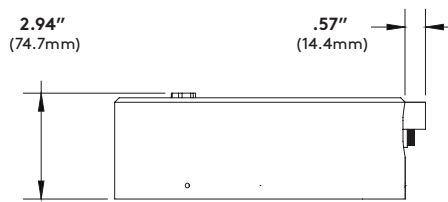
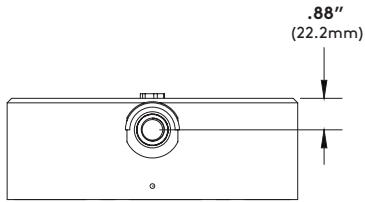
\*\* When dimming is not required cap dimming wires.



Wire Designation Table		
Source Voltage (VAC)	Wire Color	Wire Designation
120V or 277V	Black	L1 (Switched)
	White	Neutral
	Red	Hot (Unswitched)
208V or 240V	Black	L1 (Switched)
	Blue	L2
	Red	Hot (Unswitched)
UNV (120V-277V)	Black	L1 (Switched)
	White	Neutral (120/277V) or L2 (208/240V)
	Red	Hot (Unswitched)

**Optional Accessories**

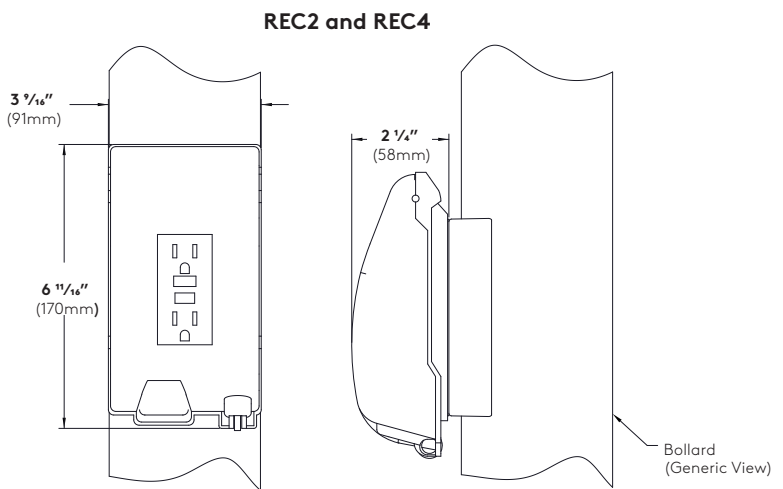
**Photo Cell (PC)** - Integrated in top cap for 360° of orientation adjustment in the field.



Cover shown in the closed position

**GFCI Duplex Receptacle (REC)** - 120V 15A GFCI duplex receptacle with weatherproof, self-closing cover; located 22" (559mm) o.c. from base of pole, in-line with hand hole. Receptacle is intended only for portable tools or other portable equipment to be connected to outlet only when attended by operating personnel (120V only).

**USB & GFCI Duplex Receptacle (REC3)** - 120V 15A GFCI duplex receptacle with USB combination ports. (1) USB Type-A and (1) USB Type-C port share 2.0A charging capacity between both ports. Includes weatherproof, self-closing cover; located 22" (559mm) o.c. from base of pole, in-line with hand hole. Receptacle is intended only for portable tools or other portable equipment to be connected to outlet only when attended by operating personnel.



Cover shown in the closed position

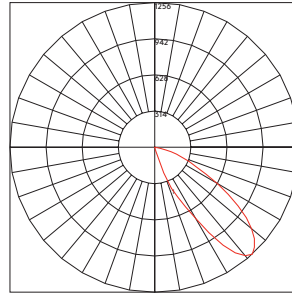
**Duplex GFCI Receptacle (REC2)** - 120V 15A GFCI duplex receptacle with weatherproof, self-closing, padlockable in-use cover; located 22" (559mm) o.c. from base of pole, in-line with hand hole. Receptacle is intended only for portable tools or other portable equipment to be connected to outlet only when attended by operating personnel (120V only).

**USB & GFCI Duplex Receptacle (REC4)** (not shown) - 120V 15A GFCI duplex receptacle with USB combination ports. (1) USB Type-A and (1) USB Type-C port share 2.0A charging capacity between both ports. Includes weatherproof, self-closing padlockable in-use cover; located 22" (559mm) o.c. from base of pole, in-line with hand hole. Receptacle is intended only for portable tools or other portable equipment to be connected to outlet only when attended by operating personnel.

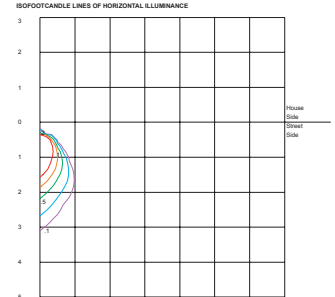
Photometry

1Q / 8W LED / 5000K CCT

Catalog #: IBL-X-1Q-50-XX-120-DS  
 Report #: 1197031-50  
 Maximum candela of 1256 at 42.5° from vertical.  
 Mounting Height = 4' (1.22 m)  
 577 Delivered Lumens  
 75 Lumens per Watt  
**B0-U0-G0**



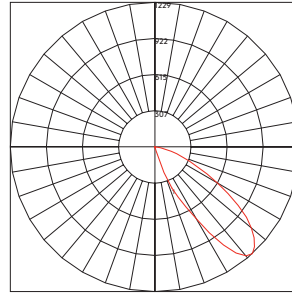
Maximum Candela = 1256.772 Located At Horizontal Angle = 315, Vertical Angle = 42.5  
 # 1 - Vertical Plane Through Horizontal Angles (315 - 135) (Through Max. Cd.)



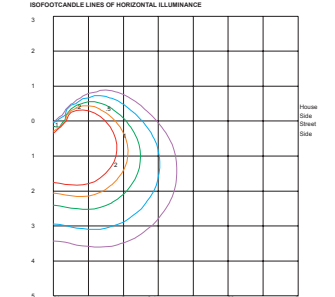
ISOFOOTCANDLE LINES OF HORIZONTAL ILLUMINANCE  
 Distance In Units Of Mounting Height  
 Values Based On 4 Foot Mounting Height

2Q90 / 14W LED / 5000K CCT

Catalog #: IBL-X-2Q90-50-XX-120-DS  
 Report #: 1197029-50  
 Maximum candela of 1229 at 42.5° from vertical.  
 Mounting Height = 4' (1.22 m)  
 1158 Delivered Lumens  
 82 Lumens per Watt  
 B0-U0-G0



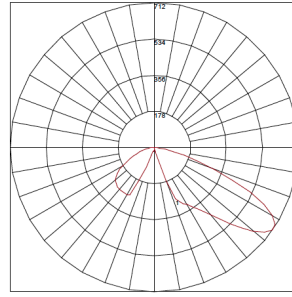
Maximum Candela = 1229.367 Located At Horizontal Angle = 45, Vertical Angle = 42.5  
 # 1 - Vertical Plane Through Horizontal Angles (45 - 225) (Through Max. Cd.)



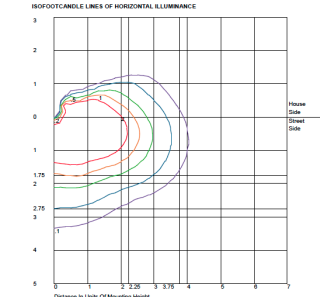
ISOFOOTCANDLE LINES OF HORIZONTAL ILLUMINANCE  
 Distance In Units Of Mounting Height  
 Values Based On 4 Foot Mounting Height

2Q90MU / 14W LED / 5000K CCT

Catalog #: IBL-XX-2Q90MU-50-XX-120-DS  
 Report #: 13374611.02  
 Maximum candela of 712 at 55° from vertical.  
 Mounting Height = 4' (1.22 m)  
 854 Delivered Lumens  
 61 Lumens per Watt  
 B0-U0-G1



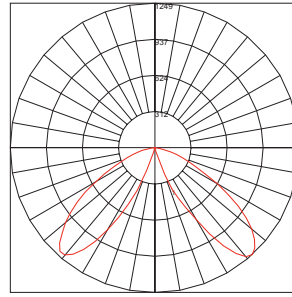
Maximum Candela = 712.169 Located At Horizontal Angle = 75, Vertical Angle = 55  
 # 1 - Vertical Plane Through Horizontal Angles (75 - 255) (Through Max. Cd.)



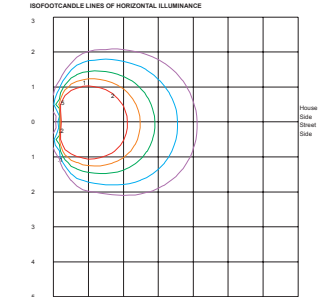
ISOFOOTCANDLE LINES OF HORIZONTAL ILLUMINANCE  
 Distance In Units Of Mounting Height  
 Values Based On 4 Foot Mounting Height

2Q180 / 14W LED / 5000K CCT

Catalog #: IBL-X-2Q180-50-XX-120-DS  
 Report #: 1197024-50  
 Maximum candela of 1249 at 42.5° from vertical.  
 Mounting Height = 4' (1.22 m)  
 1156 Delivered Lumens  
 81 Lumens per Watt  
 B1-U0-G0



Maximum Candela = 1249.93 Located At Horizontal Angle = 85, Vertical Angle = 42.5  
 # 1 - Vertical Plane Through Horizontal Angles (85 - 265) (Through Max. Cd.)

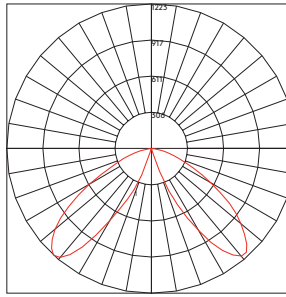


ISOFOOTCANDLE LINES OF HORIZONTAL ILLUMINANCE  
 Distance In Units Of Mounting Height  
 Values Based On 4 Foot Mounting Height

**Photometry**

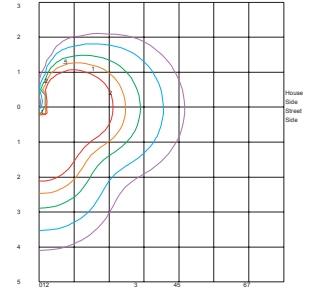
**3Q / 20W LED / 5000K CCT**

Catalog #: IBL-X-3Q-50-XX-120-DS  
 Report #: 1197021-50  
 Maximum candela of 1223 at 42.5° from vertical.  
 Mounting Height = 4' (1.22 m)  
 1689 Delivered Lumens  
 82 Lumens per Watt  
 B1-U0-G0



Maximum Candela = 1223.526 Located At Horizontal Angle = 270, Vertical Angle = 42.5  
 # 1 - Vertical Plane Through Horizontal Angles (270 - 90) (Through Max. Cd.)

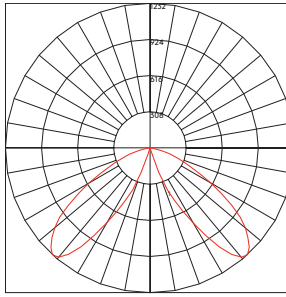
ISOFOOTCANDLE LINES OF HORIZONTAL ILLUMINANCE



Distance in Units Of Mounting Height  
 Values Based On 4 Foot Mounting Height

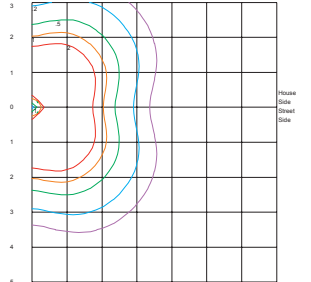
**4QS / 27W LED / 5000K CCT**

Catalog #: IBL-X-4QS-50-XX-120-DS  
 Report #: 1197039-50  
 Maximum candela of 1232 at 42.5° from vertical.  
 Mounting Height = 4' (1.22 m)  
 2246 Delivered Lumens  
 83 Lumens per Watt  
 B1-U0-G0



Maximum Candela = 1231.933 Located At Horizontal Angle = 45, Vertical Angle = 42.5  
 # 1 - Vertical Plane Through Horizontal Angles (45 - 225) (Through Max. Cd.)

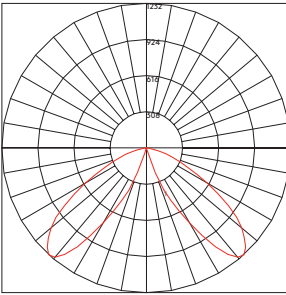
ISOFOOTCANDLE LINES OF HORIZONTAL ILLUMINANCE



Distance in Units Of Mounting Height  
 Values Based On 4 Foot Mounting Height

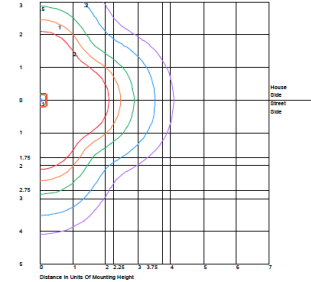
**4QD / 27W LED / 5000K CCT**

Catalog #: IBL-X-4QD-50-XX-120-DS  
 Report #: 1197039-50  
 Maximum candela of 1232 at 42.5° from vertical.  
 Mounting Height = 4' (1.22 m)  
 2246 Delivered Lumens  
 83 Lumens per Watt  
 B1-U0-G0



Maximum Candela = 1231.933 Located At Horizontal Angle = 45, Vertical Angle = 42.5  
 # 1 - Vertical Plane Through Horizontal Angles (45 - 225) (Through Max. Cd.)

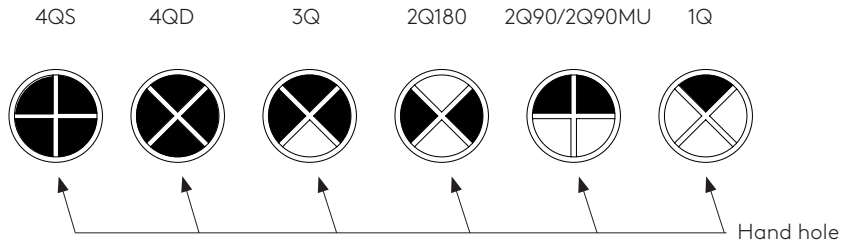
ISOFOOTCANDLE LINES OF HORIZONTAL ILLUMINANCE



Distance in Units Of Mounting Height  
 Values Based On 4 Foot Mounting Height

Multiplier Chart	
3000K to Amber	0.22
3000K to 2700K	0.92
3000K to 4000K	1.00
3000K to 4000K	1.00
3000K to 5000K	1.07

**LED Light Engine Distribution Guide**



TM-21 Lifetime Calculation					
Light Engine	Ambient Temp (°C)	Lumen Maintenance (% at hours)			Reported L <sub>70</sub> <sup>1</sup>
		25K	50K	70K	
All <sup>2</sup>	25°C	99.8%	99.8%	99.8%	L <sub>70</sub> (12K) > 70,000 hours
	40°C	99.8%	99.8%	99.8%	L <sub>70</sub> (12K) > 70,000 hours

1. Calculated in accordance with IESNA TM-21-11, projected values are within 6 times (6x) the IESNA LM-80-08 test duration  
 2. Thermal measurements based on Order Code: IBL-x-2Q90MU-27-SV-UNV

Date: \_\_\_\_\_ Customer: \_\_\_\_\_  
 Project: \_\_\_\_\_  
 Type: \_\_\_\_\_ Qty: \_\_\_\_\_

**selux**

**WAKE ROBIN INN  
 104-106 SHARON ROAD  
 SALISBURY, CT  
 B5**

**Inula Bollard LED**



**Order Code:** IBL - IBL - 2 - 4QS - 27 - FINISH - UNV

<b>IBL</b>	<b>Series</b>	<b>IBL</b> Inula Bollard LED						
	<b>Height</b>	1.5 1.5' (consult factory)	<b>2</b> 2' (consult factory)	2.5 2.5'	3 3'	3.5 3.5'	4 4'	
	<b>Light Engine</b>	1Q <sup>1</sup> 7.6W/577lm	2Q90 14.1W/1156lm	2Q90MU 14.1W/854lm (max uniformity)	2Q180 14.1W/1156lm	3Q 20.5W/1689lm	<b>4QS</b> 27.2W/2246lm	4QD 27.2W/2246lm
	<b>CCT</b>	AM <sup>2</sup> Amber	<b>27<sup>2*</sup></b> 2700K	30 <sup>2</sup> 3000K	35 <sup>*</sup> 3500K	40 4000K	50 <sup>*</sup> 5000K	*Based on 5000K CCT. <sup>1</sup> Not available with EM.
	<b>Finish</b>	<b>WH</b> White	<b>BK</b> Black	<b>BL</b> Semi-Matte Black	<b>BZ</b> Bronze	<b>SV</b> Silver	<b>SP</b> Specify Premium Color	<b>DarkSky Approved.</b> *Consult factory
	<b>Voltage</b>	<b>UNV</b> 120-277V	120 120V	208 208V	240 240V	277 240V	347 <sup>3</sup> 347V	480 <sup>3</sup> 480V
	<b>Options</b>	DM Dimming (0-10V)	HL30 <sup>6,9,11</sup> Hi-Lo Switching 100-30%	REC <sup>4,5,15</sup> GFCI Receptacle with weather-proof cover	REC2 <sup>4,5,15</sup> GFCI Receptacle with padlockable in-use cover	REC3 <sup>4,5,15</sup> USB & Duplex Receptacle with weather-proof cover	REC4 <sup>4,5,15</sup> USB & Duplex Receptacle with weatherproof padlockable in-use cover	EM <sup>7,8,12</sup> Emergency Battery Pack -20C
		PC <sup>10,11</sup> Photocell	LP <sup>11,13,14</sup> Lower Power Version Decreases Light Output by 60%	HP <sup>11</sup> High Power Version Increases Light Output by 100%				

**Product Modifications**

Please list modification requirements for review by factory:

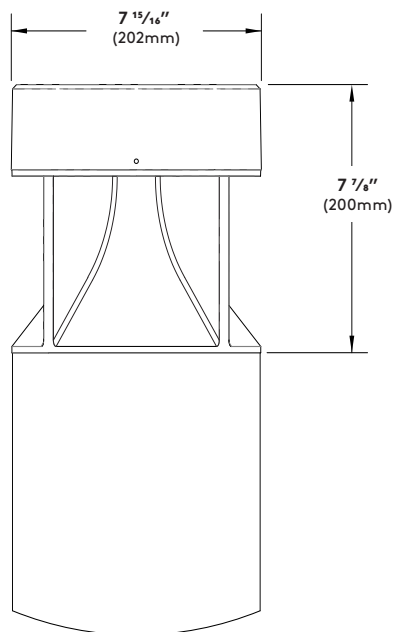
**Approvals**

\_\_\_\_\_

**Date:**



## IBL



## Specifications

**Fixture Housing** - Die cast low-copper and low-iron aluminum fixture body provides corrosion resistance in marine environments.

**Gasketing** - Continuous gaskets provide weather-proofing, dust, and insect control between castings.

**LED Light Engine** - High efficiency LED light engine equipped with brandname LEDs, available in 2700K, 3000K, 4000K, 5000K CCT tolerance within a 3-step MacAdams ellipse, and Amber CCT. Suitable temperature range (-40C to +45C).

**Optics** - Proprietary vandal and UV resistant acrylic optic provides optimal light blending between quadrants.

**Surge Protector** - Designed to protect luminaire from electrical surge (20kA).

**Hi-Lo Switching Option** - Controlled switching between 100% and 30% power. See wiring diagrams for additional details.

**Low Power Option** - 60% decrease in Lumen output in same physical package.

**High Power Option** - 100% increase in Lumen output in same physical package.

**Light Chamber** - Castings around Light Engine are painted with special Matte Black light absorbing powder coat paint. Meets International DarkSky Association requirements B0, U0, and G0 BUG ratings at 2700K and 3000K CCT.

**Low-Temperature Emergency Battery Pack Option** - Provide 90 minutes of constant-power egress lighting when external power is lost. -20°C to +55°C ambient temperature operation.

**Exterior Luminaire Finish** - Selux utilizes a high quality Polyester Powder Coating. All Selux luminaires and poles are finished in our Tiger Drylac certified facility and undergo a five stage intensive pretreatment process where product is thoroughly cleaned, phosphated and sealed. Selux powder coated products provide excellent salt and humidity resistance as well as ultraviolet resistance for color retention. All products are tested in accordance with test specifications for coatings from ASTM and PCI.

Standard exterior colors are White (WH), Black (BK), Semi-Matte Black (BL), Bronze (BZ), and Silver (SV). Selux premium colors (SP) are available, please specify from your Selux color selection guide.®

**5 Year Limited LED Luminaire Warranty** - Selux offers a 5 Year Limited Warranty to the original purchaser that the Inula Bollard LED luminaire shall be free from defects in material and workmanship for up to five (5) years from date of shipment. This limited warranty covers the LED driver and LED array when installed and operated according to Selux instructions. For details, see "Selux Terms and Condition of Sale."

**Listings and Ratings:** Tested to NRTL Wet Location and IESNA LM-79-08 standards. LED tested to LM-80 standards.

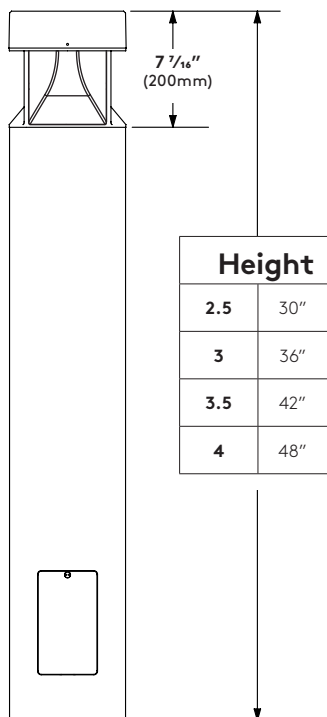
**Luminaire tested to IK10 and IP65 standard, and DarkSky Approved .**

**Luminaire and LED tested at 25°C (77°F) ambient temperature.**

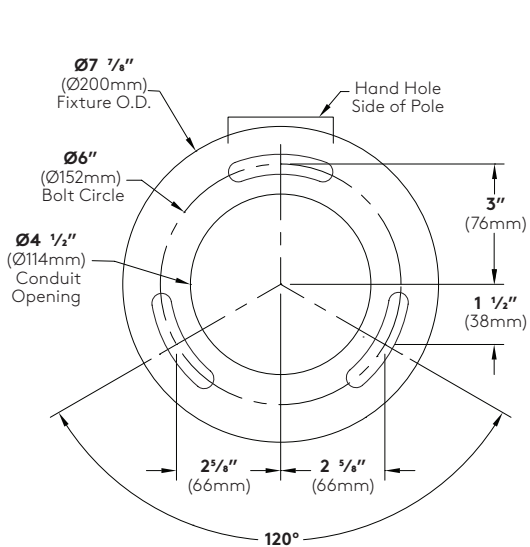
**NRTL listed (C-UL; UL certified/CSA conforming).**

**Visit [selux.us](http://selux.us) for our LED End of Life recycling policy.**

Profiles IBL-XX-4QD



Mounting Information

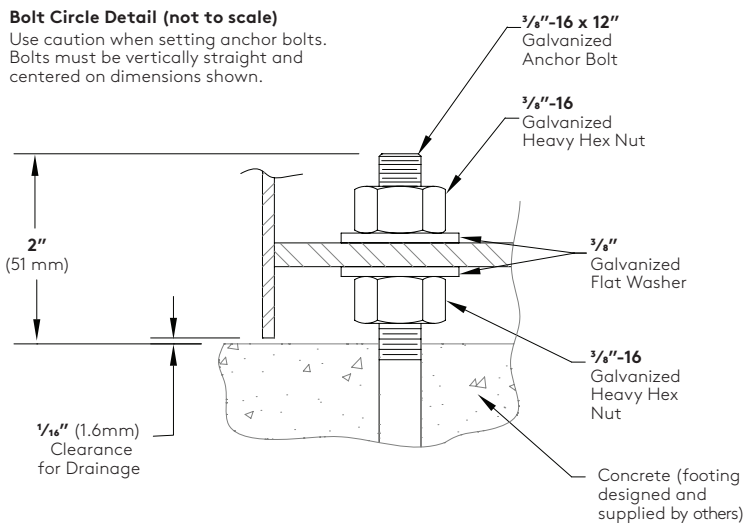


Notes:

1. Bollard orientation is critical, rod and hand hole locations are critical.
2. Locate single bolt at hand hole location.
3. Adequate drainage must be provided in concrete foundation.
4. Conduit should be stubbed up above the concrete footing

Bolt Circle Detail (not to scale)

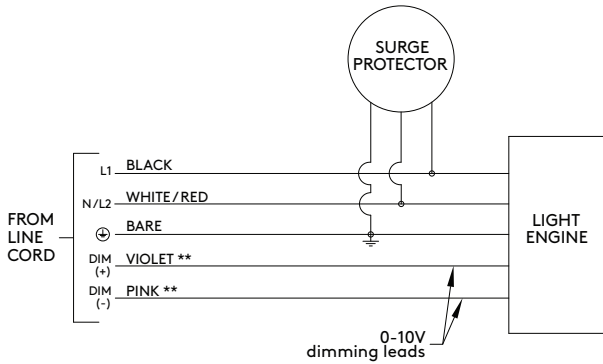
Use caution when setting anchor bolts. Bolts must be vertically straight and centered on dimensions shown.



### Wiring Diagrams

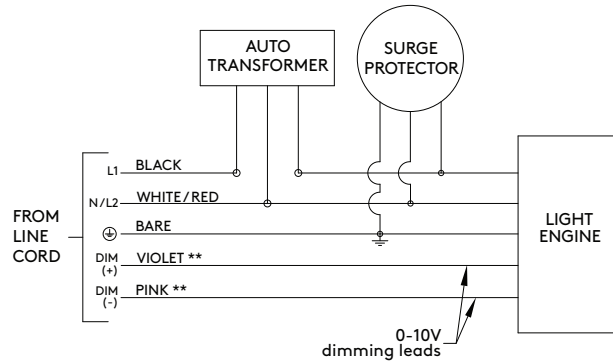
#### Standard Wiring (120V-277V)

\*\*When dimming is not required cap dimming wires.



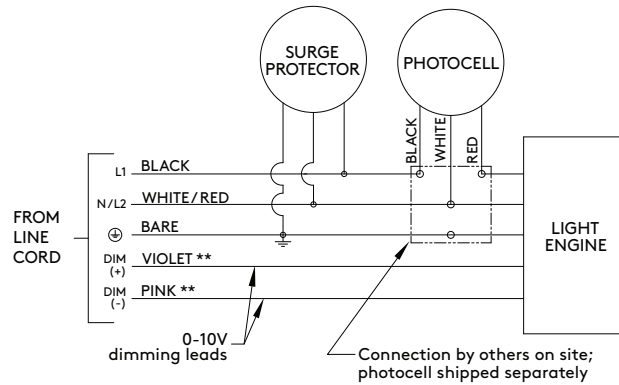
#### Standard Wiring (347/480V with Step-down Transformer)

\*\*When dimming is not required cap dimming wires.



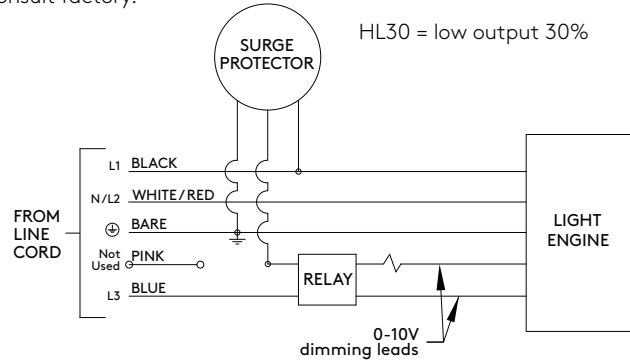
#### Photocell Option (PC) Wiring

\*\*When dimming is not required cap dimming wires.



#### Hi-Lo Switching Option (HL) Wiring HL30 Only

120V, 240V, 277V. When blue is energized, light output will be at "Lo" level. Specify low-level by using the level listed below. For other combinations, consult factory.



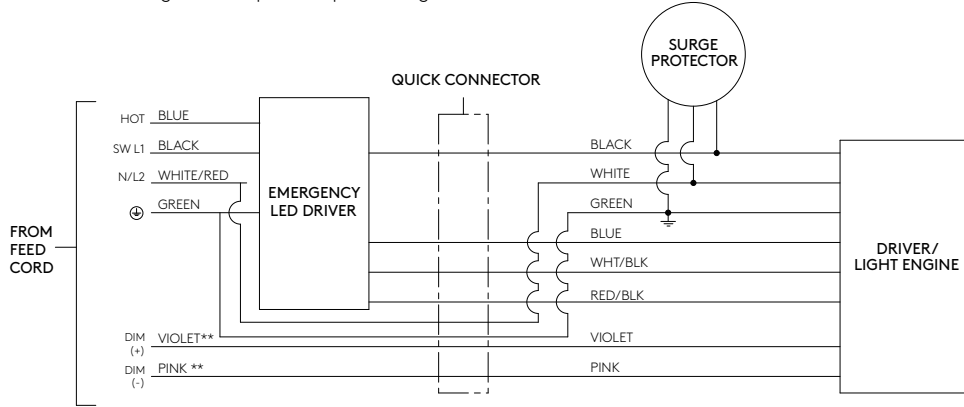
Wire Designation Table		
Source Voltage (VAC)	Wire Color	Wire Designation
120V, 277V, or 347V	Black	L1
	White	Neutral
208V, 240V, or 480V	Black	L1
	Red	L2
UNV (120V-277V)	Black	L1
	White	Neutral (120/277V) or L2 (208/240V)

**Wiring Diagrams**

**Standard Wiring (120V-277V) with (EM) Option**

100% light output at 10V, down to 1% light output at 0V.

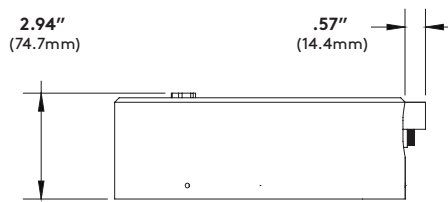
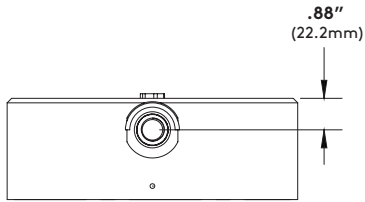
\*\* When dimming is not required cap dimming wires.



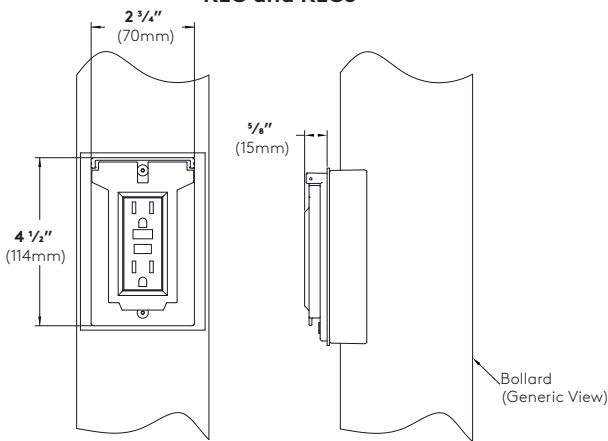
Wire Designation Table		
Source Voltage (VAC)	Wire Color	Wire Designation
120V or 277V	Black	L1 (Switched)
	White	Neutral
	Red	Hot (Unswitched)
208V or 240V	Black	L1 (Switched)
	Blue	L2
	Red	Hot (Unswitched)
UNV (120V-277V)	Black	L1 (Switched)
	White	Neutral (120/277V) or L2 (208/240V)
	Red	Hot (Unswitched)

**Optional Accessories**

**Photo Cell (PC)** - Integrated in top cap for 360° of orientation adjustment in the field.

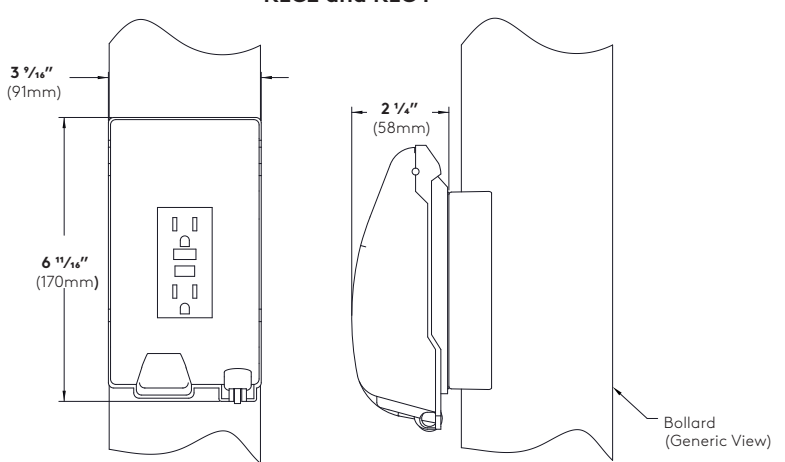


**REC and REC3**



Cover shown in the closed position

**REC2 and REC4**



Cover shown in the closed position

**GFCI Duplex Receptacle (REC)** - 120V 15A GFCI duplex receptacle with weatherproof, self-closing cover; located 22" (559mm) o.c. from base of pole, in-line with hand hole. Receptacle is intended only for portable tools or other portable equipment to be connected to outlet only when attended by operating personnel (120V only).

**USB & GFCI Duplex Receptacle (REC3)** - 120V 15A GFCI duplex receptacle with USB combination ports. (1) USB Type-A and (1) USB Type-C port share 2.0A charging capacity between both ports. Includes weatherproof, self-closing cover; located 22" (559mm) o.c. from base of pole, in-line with hand hole. Receptacle is intended only for portable tools or other portable equipment to be connected to outlet only when attended by operating personnel.

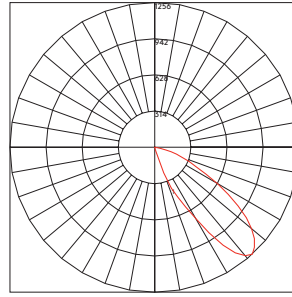
**Duplex GFCI Receptacle (REC2)** - 120V 15A GFCI duplex receptacle with weatherproof, self-closing, padlockable in-use cover; located 22" (559mm) o.c. from base of pole, in-line with hand hole. Receptacle is intended only for portable tools or other portable equipment to be connected to outlet only when attended by operating personnel (120V only).

**USB & GFCI Duplex Receptacle (REC4)** (not shown) - 120V 15A GFCI duplex receptacle with USB combination ports. (1) USB Type-A and (1) USB Type-C port share 2.0A charging capacity between both ports. Includes weatherproof, self-closing padlockable in-use cover; located 22" (559mm) o.c. from base of pole, in-line with hand hole. Receptacle is intended only for portable tools or other portable equipment to be connected to outlet only when attended by operating personnel.

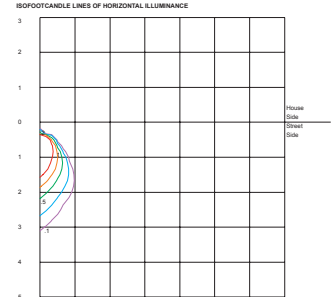
Photometry

1Q / 8W LED / 5000K CCT

Catalog #: IBL-X-1Q-50-XX-120-DS  
 Report #: 1197031-50  
 Maximum candela of 1256 at 42.5° from vertical.  
 Mounting Height = 4' (1.22 m)  
 577 Delivered Lumens  
 75 Lumens per Watt  
**B0-U0-G0**



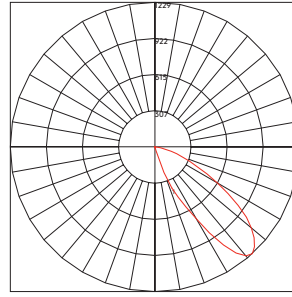
Maximum Candela = 1256.772 Located At Horizontal Angle = 315, Vertical Angle = 42.5  
 # 1 - Vertical Plane Through Horizontal Angles (315 - 135) (Through Max. Cd.)



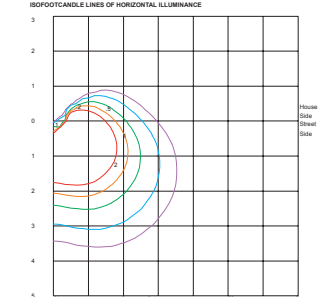
ISOFOOTCANDLE LINES OF HORIZONTAL ILLUMINANCE  
 Distance In Units Of Mounting Height  
 Values Based On 4 Foot Mounting Height

2Q90 / 14W LED / 5000K CCT

Catalog #: IBL-X-2Q90-50-XX-120-DS  
 Report #: 1197029-50  
 Maximum candela of 1229 at 42.5° from vertical.  
 Mounting Height = 4' (1.22 m)  
 1158 Delivered Lumens  
 82 Lumens per Watt  
 B0-U0-G0



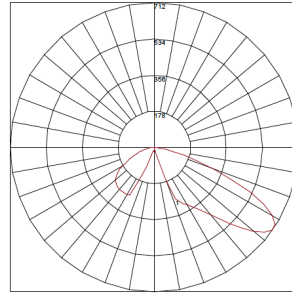
Maximum Candela = 1229.367 Located At Horizontal Angle = 45, Vertical Angle = 42.5  
 # 1 - Vertical Plane Through Horizontal Angles (45 - 225) (Through Max. Cd.)



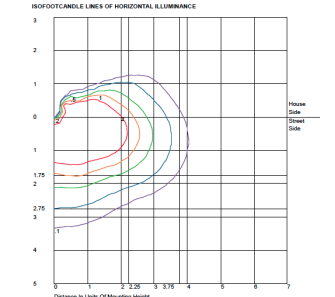
ISOFOOTCANDLE LINES OF HORIZONTAL ILLUMINANCE  
 Distance In Units Of Mounting Height  
 Values Based On 4 Foot Mounting Height

2Q90MU / 14W LED / 5000K CCT

Catalog #: IBL-XX-2Q90MU-50-XX-120-DS  
 Report #: 13374611.02  
 Maximum candela of 712 at 55° from vertical.  
 Mounting Height = 4' (1.22 m)  
 854 Delivered Lumens  
 61 Lumens per Watt  
 B0-U0-G1



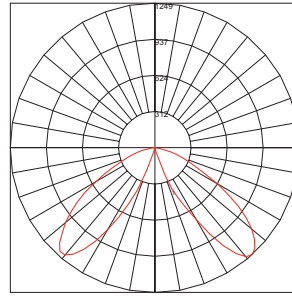
Maximum Candela = 712.169 Located At Horizontal Angle = 75, Vertical Angle = 55  
 # 1 - Vertical Plane Through Horizontal Angles (75 - 255) (Through Max. Cd.)



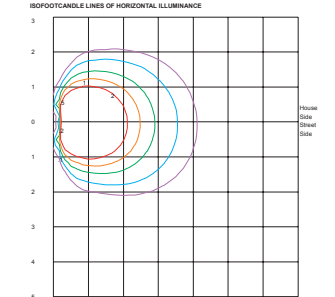
ISOFOOTCANDLE LINES OF HORIZONTAL ILLUMINANCE  
 Distance In Units Of Mounting Height  
 Values Based On 4 Foot Mounting Height

2Q180 / 14W LED / 5000K CCT

Catalog #: IBL-X-2Q180-50-XX-120-DS  
 Report #: 1197024-50  
 Maximum candela of 1249 at 42.5° from vertical.  
 Mounting Height = 4' (1.22 m)  
 1156 Delivered Lumens  
 81 Lumens per Watt  
 B1-U0-G0



Maximum Candela = 1249.93 Located At Horizontal Angle = 85, Vertical Angle = 42.5  
 # 1 - Vertical Plane Through Horizontal Angles (85 - 265) (Through Max. Cd.)

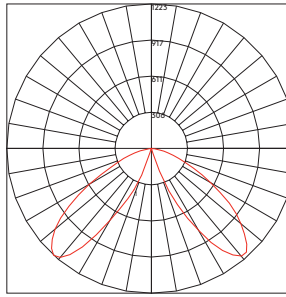


ISOFOOTCANDLE LINES OF HORIZONTAL ILLUMINANCE  
 Distance In Units Of Mounting Height  
 Values Based On 4 Foot Mounting Height

**Photometry**

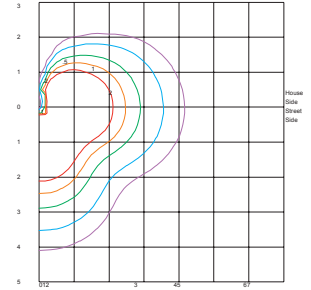
**3Q / 20W LED / 5000K CCT**

Catalog #: IBL-X-3Q-50-XX-120-DS  
 Report #: 1197021-50  
 Maximum candela of 1223 at 42.5° from vertical.  
 Mounting Height = 4' (1.22 m)  
 1689 Delivered Lumens  
 82 Lumens per Watt  
 B1-U0-G0



Maximum Candela = 1223.526 Located At Horizontal Angle = 270, Vertical Angle = 42.5  
 # 1 - Vertical Plane Through Horizontal Angles (270 - 90) (Through Max. Cd.)

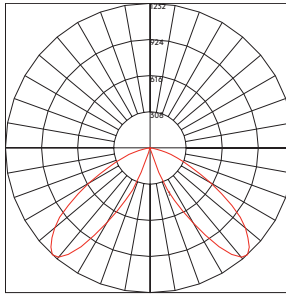
ISOFOOTCANDLE LINES OF HORIZONTAL ILLUMINANCE



Distance in Units Of Mounting Height  
 Values Based On 4 Foot Mounting Height

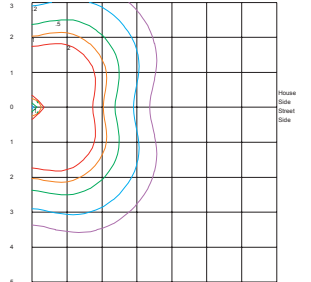
**4QS / 27W LED / 5000K CCT**

Catalog #: IBL-X-4QS-50-XX-120-DS  
 Report #: 1197039-50  
 Maximum candela of 1232 at 42.5° from vertical.  
 Mounting Height = 4' (1.22 m)  
 2246 Delivered Lumens  
 83 Lumens per Watt  
 B1-U0-G0



Maximum Candela = 1231.933 Located At Horizontal Angle = 45, Vertical Angle = 42.5  
 # 1 - Vertical Plane Through Horizontal Angles (45 - 225) (Through Max. Cd.)

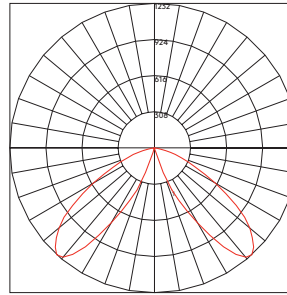
ISOFOOTCANDLE LINES OF HORIZONTAL ILLUMINANCE



Distance in Units Of Mounting Height  
 Values Based On 4 Foot Mounting Height

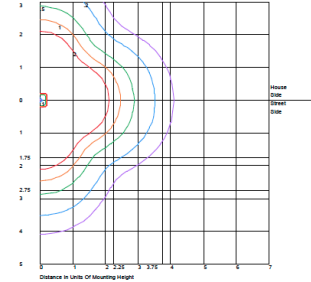
**4QD / 27W LED / 5000K CCT**

Catalog #: IBL-X-4QD-50-XX-120-DS  
 Report #: 1197039-50  
 Maximum candela of 1232 at 42.5° from vertical.  
 Mounting Height = 4' (1.22 m)  
 2246 Delivered Lumens  
 83 Lumens per Watt  
 B1-U0-G0



Maximum Candela = 1231.933 Located At Horizontal Angle = 45, Vertical Angle = 42.5  
 # 1 - Vertical Plane Through Horizontal Angles (45 - 225) (Through Max. Cd.)

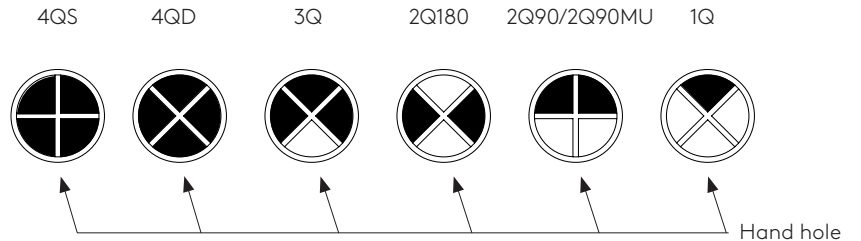
ISOFOOTCANDLE LINES OF HORIZONTAL ILLUMINANCE



Distance in Units Of Mounting Height  
 Values Based On 4 Foot Mounting Height

Multiplier Chart	
3000K to Amber	0.22
3000K to 2700K	0.92
3000K to 4000K	1.00
3000K to 4000K	1.00
3000K to 5000K	1.07

**LED Light Engine Distribution Guide**



TM-21 Lifetime Calculation					
Light Engine	Ambient Temp (°C)	Lumen Maintenance (% at hours)			Reported L <sub>70</sub> <sup>1</sup>
		25K	50K	70K	
All <sup>2</sup>	25°C	99.8%	99.8%	99.8%	L <sub>70</sub> (12K) > 70,000 hours
	40°C	99.8%	99.8%	99.8%	L <sub>70</sub> (12K) > 70,000 hours

1. Calculated in accordance with IESNA TM-21-11, projected values are within 6 times (6x) the IESNA LM-80-08 test duration  
 2. Thermal measurements based on Order Code: IBL-x-2Q90MU-27-SV-UNV

Date: \_\_\_\_\_ Customer: \_\_\_\_\_  
 Project: \_\_\_\_\_  
 Type: \_\_\_\_\_ Qty: \_\_\_\_\_

**selux**

**WAKE ROBIN INN  
 104-106 SHARON ROAD  
 SALISBURY, CT  
 P2-8**

**Saturn Cutoff 2 LED**



**Order Code:** SAC2L - R2 - 1 - 5G450 - 27 - 08 - FIN - VOLT - \_\_\_\_\_

**Pole Order Code:** A35 - 8 - FIN - VOLT-BC5  
Series Height Finish Options

SAC2L	Series	SAC2L <small>Saturn Cutoff 2 LED</small>							
	Optics	R1 <small>Type I</small>	R2 <small>Type II</small>	R3 <small>Type III</small>	R3W <small>Type III (Wide)</small>	R4 <small>Type IV</small>	R5R <small>Type V (Round)</small>	R5S <small>Type V (Square)</small>	R5Q <small>Type V (Rectangular)</small>
	Mounting	1 <small>Single</small>	1A <small>Single Arm Mount</small>	2 <small>Double</small>	W <small>Wall Mount</small>				
	Light Engine	5G450 <small>39W/4352lm</small>	5G700 <small>62W/6537lm</small>	5G105 <small>94W/9101lm</small>					<small>*Based on R1 distribution in 3000K CCT.</small>
	CCT	27 <sup>1</sup> <small>2700K</small>	30 <sup>1</sup> <small>3000K</small>	40 <small>4000K</small>					<b>DarkSky approved.</b> <small>*For other CCTs please consult factory.</small>
	Power Cord Length	08 <small>8'</small>	10 <small>10'</small>	12 <small>12'</small>	14 <small>14'</small>	16 <small>16'</small>	18 <small>18'</small>	XX <sup>2</sup> <small>XX</small>	<small>*For 1 mounting use the pole height. For 1A or 2 mounting use the pole height +2.  <sup>2</sup>Specify number of feet in whole foot increments.</small>
	Finish	WH <small>White</small>	BK <small>Black</small>	BL <small>Semi-Matte Black</small>	BZ <small>Bronze</small>	SV <small>Silver</small>	SP <small>Specify Premium Color</small>		
	Voltage	120 <small>120V</small>	240 <small>240V</small>	277 <small>277V</small>	347 <sup>3</sup> <small>347V</small>	480 <sup>3</sup> <small>480V</small>			<small>*Equipped with step-down transformer.</small>
	Options	DM <sup>5</sup> <small>Dimming (0-10V)</small>	HS <sup>4</sup> <small>House Side Shield (180°)</small>	HL30 <sup>5,6</sup> <small>Hi-Lo Switching Low Output 30%</small>	HL50 <sup>5,6</sup> <small>Hi-Lo Switching Low Output 50%</small>	PCT <sup>7</sup> <small>Photocell Tenon</small>	MS <sup>5,7</sup> <small>Pole Motion Sensor with Optional Photocell (See pagr 3 for order code)</small>		<small><sup>4</sup>Type I, II, III, and IV only.  <sup>5</sup>DM, HLXX, or MS only. Cannot be combined.  <sup>6</sup>120V, 240V, or 277V only.  <sup>7</sup>PCT or MS only. Cannot be combined.</small>

**Product Modifications**

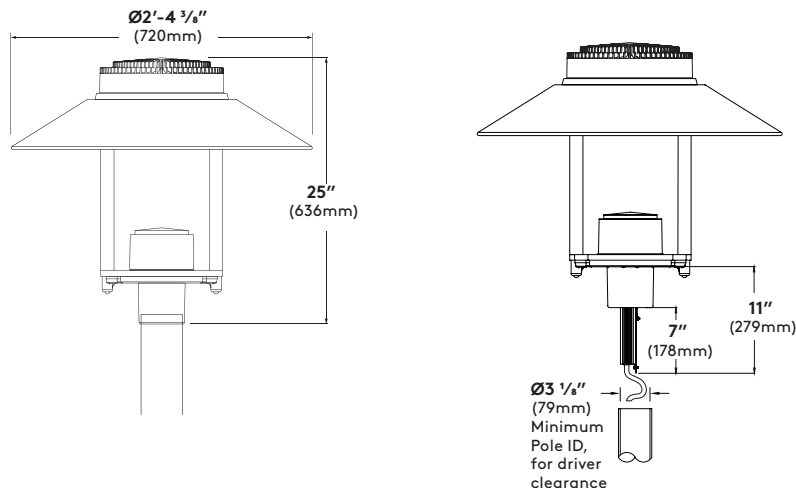
Please list modification requirements for review by factory:

**Approvals**

Date:



## SAC2L-1-XX-DS



### Specifications

**Luminaire Cover** - Die cast aluminum cover made from low copper alloy, designed to ensure optimal thermal management for extra long lifetime of LED light engine.

**Gasketing** - Continuous gasket provides weatherproofing, dust, and insect control at all fixture connections.

**Luminaire Hood** - Aluminum shade with white painted interior.

**LED Array** - High flux LEDs mounted to PC boards and attached to aluminum heat sink for maximum LED performance and life. CCT tolerance ¼ step binning for 3000K and 4000K. CRI minimum 80. Complete light engine can be removed easily for future upgrade. LED light engine provides a reported lumen maintenance of 93% at 50,000 hours. L70 calculated greater than 100,000 hours.

**LED Optics** - Technical Optics (R1, R2, R3, R3W, R4, R5S, R5Q, and R5R) use Selux signature Gen5 light pattern acrylic lens holder to secure proprietary silicone optics. Micro house side shield available for distributions types I, II, III, and IV.

**LED Driver** - LEDs are driven by RoHS compliant constant current programmable LED driver. Driver includes 0-10V dimming to 10%, meets the requirements of IP66. Driver assembly located inside the head.

**Hood Supports** - Two aluminum arms support shade and optic assembly and attach to the die cast aluminum pole fitter.

**Pole Fitter** - Self-leveling, die cast low-copper aluminum alloy, fitter base secured to pole with three stainless steel Allen head set screws. Fitter for 3 ½" (90mm) O.D. poles.

**Driver cover** - Die cast aluminum cover made from low copper alloy, removes for toolless access to driver. Driver secured to removable tray for ease of maintenance.

**Surge Protector** - Designed to protect luminaire from electrical surge (20kA).

**Power Cord** - Pre-installed at factory. Please specify power cord length in accordance to height of the pole. Add 2 feet to power cord length or if Single Arm Mount (1A) or Double Mount (2).

**Exterior Luminaire Finish** - Selux utilizes a high quality Polyester Powder Coating. All Selux luminaires and poles are finished in our Tiger Drylac certified facility and undergo a five stage intensive pretreatment process where product is thoroughly cleaned, phosphated and sealed. Selux powder coated products provide excellent salt and humidity resistance as well as ultraviolet resistance for color retention. All products are tested in accordance with test specifications for coatings from ASTM and PCI.

Standard exterior colors are White (WH), Black (BK), Semi-Matte Black (BL), Bronze (BZ), and Silver (SV). Selux premium colors (SP) are available, please specify from your Selux color selection guide.

### 5 Year Limited LED Luminaire Warranty -

Selux offers a 5 Year Limited Warranty to the original purchaser that the Saturn Cutoff 2 LED luminaire shall be free from defects in material and workmanship for up to five (5) years from date of shipment. This limited warranty covers the LED driver and LED array when installed and operated according to Selux instructions. For details, see "Selux Terms and Condition of Sale."

**Listings and Ratings:** Luminaire and LED tested to IP65 and IESNA LM-79-08 standards. LED tested to LM-80 standards. Luminaire and LED tested at 25°C ambient temperature.

**Luminaire suitable for ambient temperature of 45°C. Minimum operating temperature of luminaire at -40°C (-40°F).**

**NRTL Listed (i.e. UL, CSA).**

**Visit [selux.us](http://selux.us) for our LED End of Life recycling policy.**

**For Buy American compliance on poles, please consult the factory.**

**Mounting**

**Single (1)**

Die cast aluminum fitter base secured to pole with three stainless steel Allen head set screws.

EPA = 0.8ft<sup>2</sup> (0.08m<sup>2</sup>)  
Weight = 39lbs. (17.7kg)

**Single Arm Mount (1A)**

Die cast aluminum single luminaire mounting arm secured to pole with four stainless steel Allen head set screws. Outer slip fitter for Ø3½" tenon.

EPA = 1.3ft<sup>2</sup> (0.12m<sup>2</sup>)  
Weight = 53lbs. (24.0kg)

**Double (2)**

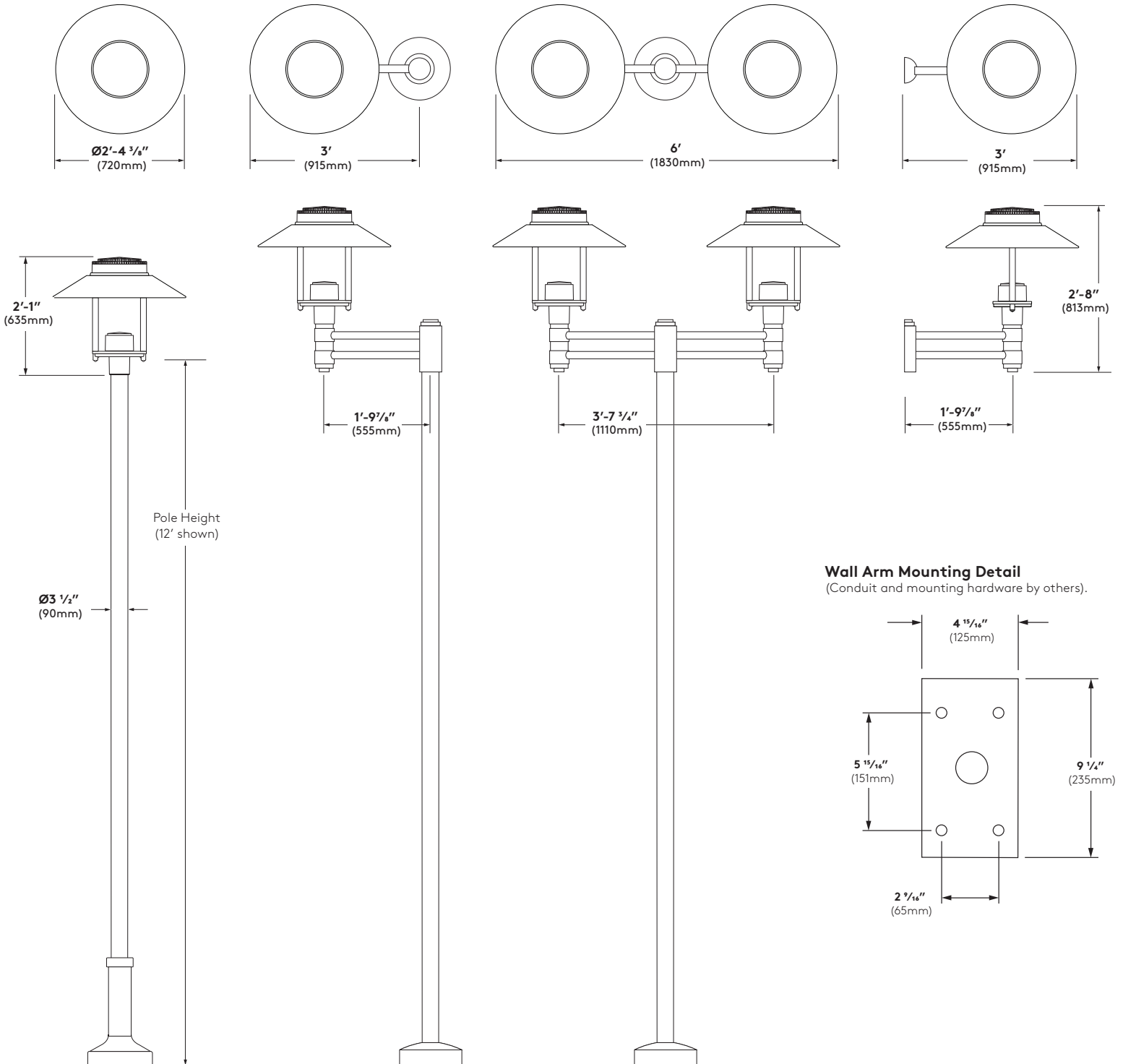
Die cast aluminum double luminaire mounting arm secured to pole with four stainless steel Allen head set screws. Outer slip fitter for Ø3½" tenon.

EPA = 2.4ft<sup>2</sup> (0.22m<sup>2</sup>)  
Weight = 100lbs. (79.8kg)

**Wall (W)**

Die cast aluminum double round wall mount arm. Secured to wall with ¼" diameter threaded fasteners (by others).

EPA = 1.2ft<sup>2</sup> (0.11m<sup>2</sup>)  
Weight = 50lbs. (22.7kg)

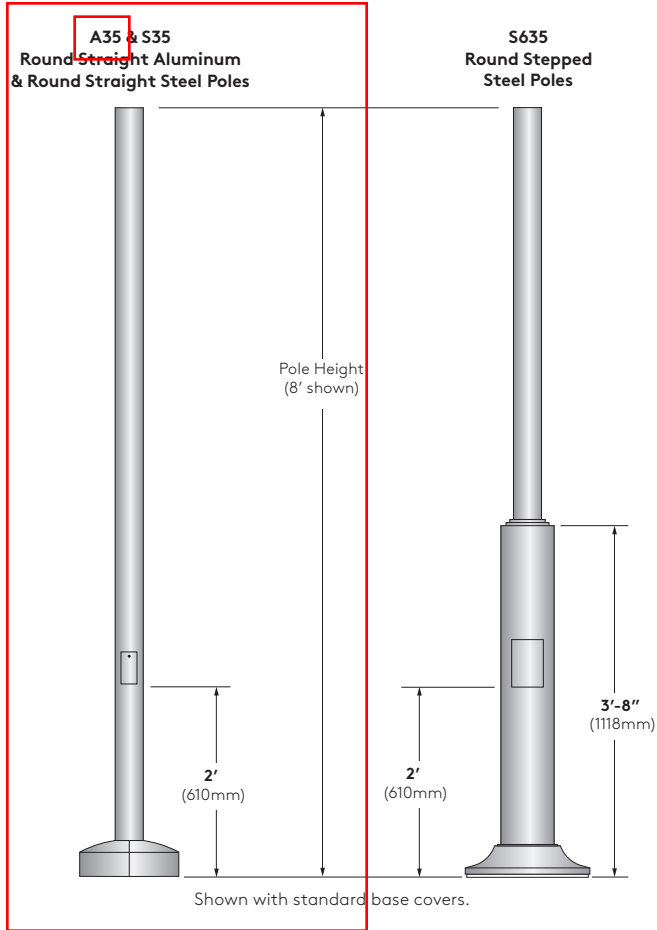


**Pole Information**

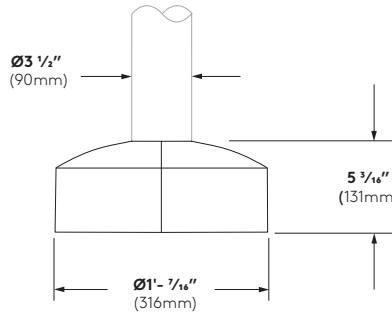
Refer to pole specification sheets for construction details, anchorage information and additional options.

**Base Cover Information**

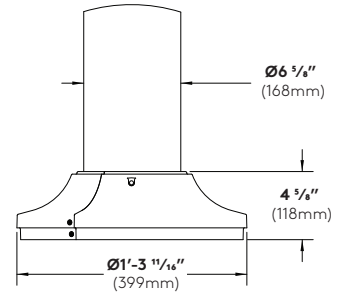
Refer to pole specification sheets for construction details, anchorage information and additional options.



**Standard Base Cover (BC5) Supplied with A35 and S35**  
Two-piece cast aluminum

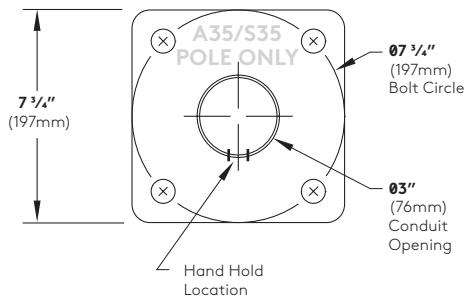


**Standard Base Cover (BC6) Supplied with S635**  
Two-piece cast aluminum



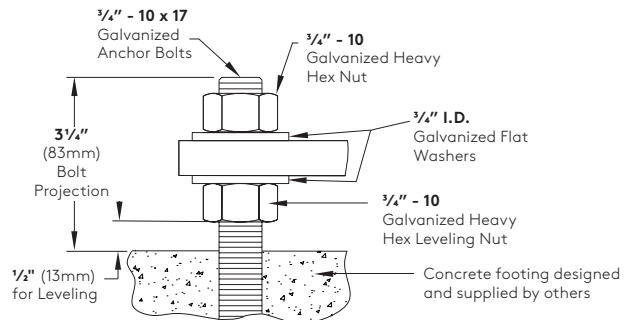
**Bolt Circle for A35 & S35**

Use caution when setting anchor bolts. Bolts must be vertically straight and centered on dimensions shown



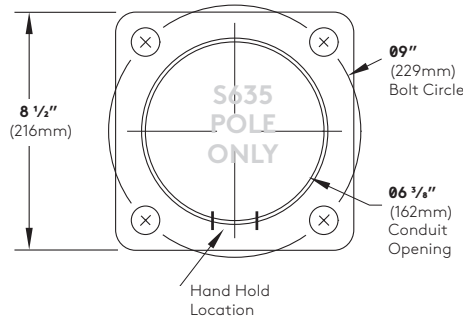
**Note:** Adequate drainage must be provided in concrete foundation.

**Anchor Bolt Detail for A35 & S35**

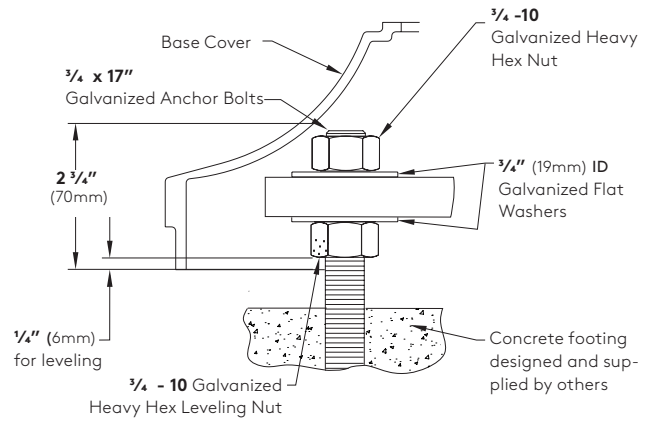


**Bolt Circle for S635**

Use caution when setting anchor bolts. Bolts must be vertically straight and centered on dimensions shown.



**Anchor Bolt Detail for S635**



**Note:** Adequate drainage must be provided in concrete foundation.

**Pole Data Chart**

Pole Series	Bolt Circle (in)	Wall (in)	Maximum EPA Rating (ft²) / Wind Speed (mph)											Height	Finish	Options
			85	90	100	110	120	130	140	150	160	170	180			
A35 3 1/2" Round Straight Aluminum Pole	7 3/4	0.197	8.7	7.7	6.0	4.8	3.9	3.1	2.6	2.2	1.9	1.7	1.5	8ft 8ft	WH White BK Black BL Semi-Matte Black BZ Bronze SV Silver	<b>BC3</b> Decorative Cast Aluminum Base Cover (AT535) <b>BC5</b> Decorative Cast Aluminum Base Cover (A35 and S35) <b>BC6</b> Decorative Cast Aluminum Base Cover (S635) <b>REC*</b> GFCI Duplex Receptacle with weatherproof cover. <b>REC2*</b> GFCI Duplex Receptacle with padlockable in-use cover. <b>REC3*</b> USB and Duplex Receptacle with weatherproof cover. <b>REC4*</b> USB and Duplex Receptacle with padlockable in-use cover. <b>MS</b> Motion Sensor with optional Photocell (Meets Title 24 Requirements).
S35 3 1/2" Round Straight Steel Pole	7 3/4	0.125	13.1	11.5	9.2	7.4	6.0	5.0	4.2	3.6	3.2	2.8	2.4			
S635 6" to 3 1/2" Round Straight Stepped Steel Pole	9	0.125	34.4	30.6	24.6	20.2	16.8	14.2	12.2	10.5	9.2	8.1	7.2			
A35 3 1/2" Round Straight Aluminum Pole	7 3/4	0.197	6.9	6.0	4.6	3.6	2.8	2.2	1.8	1.5	1.2	1.0	0.9	10 10ft	SP Specify Pre-mium Color	
S35 3 1/2" Round Straight Steel Pole	7 3/4	0.125	10.5	9.2	7.2	5.7	4.6	3.7	3.1	2.6	2.3	2.0	1.7			
S635 6" to 3 1/2" Round Straight Stepped Steel Pole	9	0.125	28.5	23.5	20.2	16.5	13.7	11.5	9.8	8.5	7.4	6.5	5.7			
A35 3 1/2" Round Straight Aluminum Pole	7 3/4	0.197	5.4	4.7	3.5	2.6	1.9	1.4	1.1	0.8	0.7	-	-	12 12ft		
S35 3 1/2" Round Straight Steel Pole	7 3/4	0.125	8.6	7.5	5.7	4.4	3.5	2.7	2.2	1.9	1.6	1.3	1.1			
S635 6" to 3 1/2" Round Straight Stepped Steel Pole	9	0.125	23.6	21.0	16.9	13.7	11.3	9.4	8.0	6.9	6.0	5.2	4.6			
A35 3 1/2" Round Straight Aluminum Pole	7 3/4	0.197	3.8	3.2	2.2	1.5	0.9	-	-	-	-	-	-	14 14ft		
S35 3 1/2" Round Straight Steel Pole	7 3/4	0.125	6.3	5.4	4.0	3.0	2.2	1.6	1.2	1.0	0.8	0.6	-			
S635 6" to 3 1/2" Round Straight Stepped Steel Pole	9	0.125	18.2	16.2	13.1	10.5	8.6	7.0	5.9	5.0	4.4	3.8	3.3			
A35 3 1/2" Round Straight Aluminum Pole	7 3/4	0.197	2.7	2.2	1.3	0.7	-	-	-	-	-	-	-	16 16ft		
S35 3 1/2" Round Straight Steel Pole	7 3/4	0.125	5.1	4.3	3.1	2.1	1.4	0.9	0.6	-	-	-	-			
S635 6" to 3 1/2" Round Straight Stepped Steel Pole	9	0.125	15.6	13.9	11.2	8.9	7.1	5.7	4.8	4.0	3.5	3.0	2.6			
A35 3 1/2" Round Straight Aluminum Pole	7 3/4	0.125	4.2	3.4	2.2	1.4	0.8	-	-	-	-	-	-	18 16ft		
S35 3 1/2" Round Straight Steel Pole	7 3/4	0.125	4.2	3.4	2.2	1.4	0.8	-	-	-	-	-	-			
S635 6" to 3 1/2" Round Straight Stepped Steel Pole	9	0.125	15.6	13.9	11.2	8.9	7.1	5.7	4.8	4.0	3.5	3.0	2.6			
AT535 5" to 3 1/2" Round tapered Aluminum Pole	8 5/8	0.188	8.9	7.6	5.7	4.3	3.3	2.6	2.1	1.7	1.4	1.2	1.0	20 20ft		
S635 6" to 3 1/2" Round Straight Stepped Steel Pole	9	0.125	13.7	12.2	9.5	7.5	5.9	4.6	3.8	3.2	2.7	2.3	2.0			
AT535 5" to 3 1/2" Round tapered Aluminum Pole	8 5/8	0.188	7.3	6.2	4.4	3.2	2.3	1.7	1.4	1.1	0.9	-	-			
S635 6" to 3 1/2" Round Straight Stepped Steel Pole	9	0.125	12.1	10.8	8.2	6.3	4.8	3.7	2.9	2.4	2.0	1.7	1.4			

**Notes:**  
 1. Maximum EPA ratings certified in accordance with AASHTO 2013 (LTS-6-13) for 3-s gust wind speeds based on Allowable Stress Design (ASD) analysis  
 2. Consult factory for equivalent Load and Resistance Factor Design (LRFD) wind speeds  
 3. Rated performance is dependent upon the pole being properly attached to a supporting foundation of adequate design  
 \*The EPA capacity of a S35 pole is reduced with receptacle option. Consult factory for S35 EPA capacity with receptacle.

**Round Pole Motion Sensor**

The Selux outdoor rated sensor incorporates Passive Infrared (PIR) Technology for motion sensing and also includes built-in photocell. Sensor comes pre-installed in cast aluminum housing painted to match pole finish.

Series	Hand Hole Orientation	Dim Level	Photocell Feature	Voltage
<b>MS</b> Motion Sensor	<b>00</b> 0° Clockwise from Hand Hole	<b>D0</b> (Off)	<b>Y</b> Yes	<b>UNV</b> (100-347VAC single phase or 208/230/480VAC phase-to-phase)
	<b>09</b> 90° Clockwise from Hand Hole	<b>D1</b> (1V=10%)		
	<b>18</b> 180° Clockwise from Hand Hole	<b>D3</b> (3V=30%)	<b>N</b> No	
	<b>27</b> 270° Clockwise from Hand Hole	<b>D5</b> (5V=50%)		

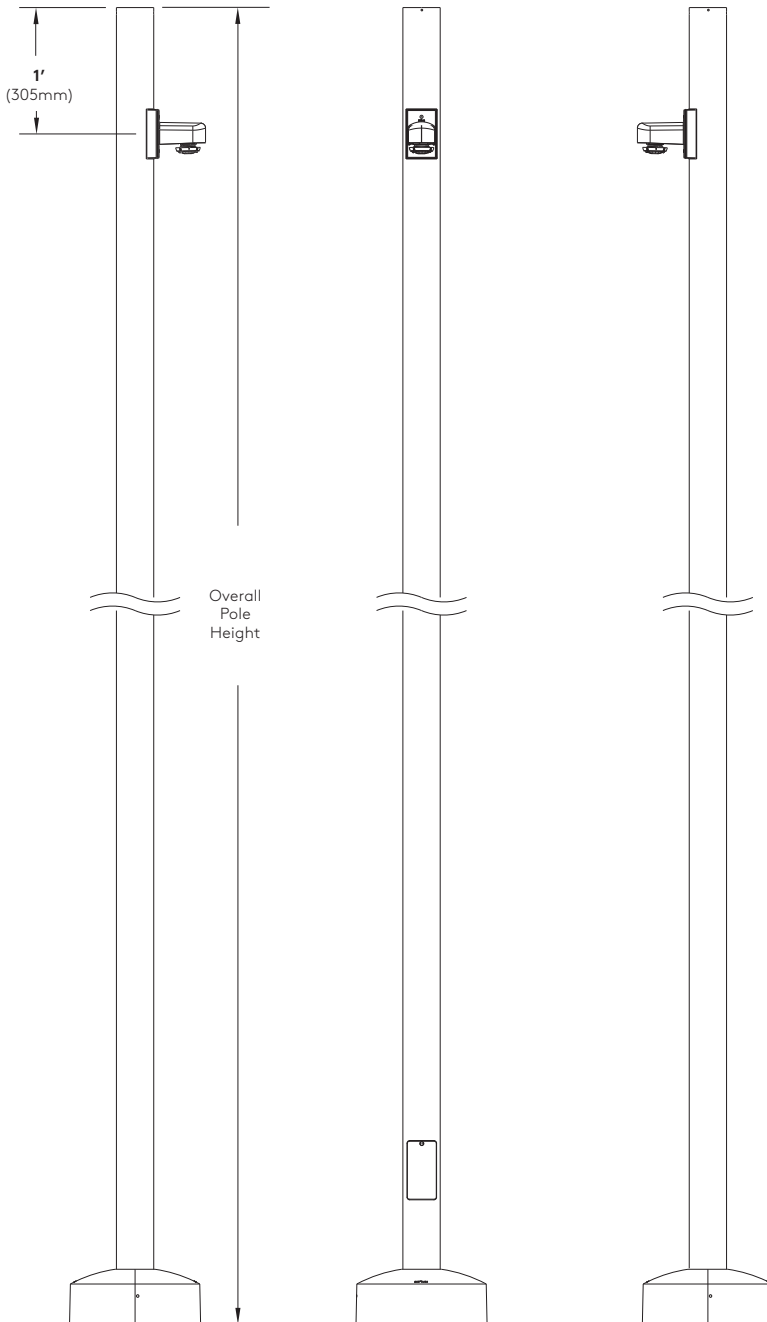
**Factory Defaults:**

Delay to Dim: 5 minutes

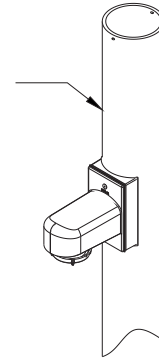
Delay to Off: 1 hour

Sensitivity: Max

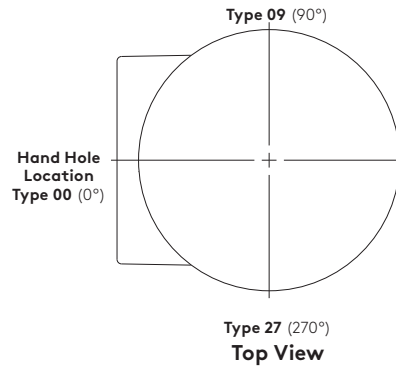
Custom Programming: Consult Factory



General Pole Drawing For Example Only.



Sensor angular orientation from hand hole 0° 90° increments clockwise around pole (Type 00, 09, 18, 27)



**Motion Sensor Features**

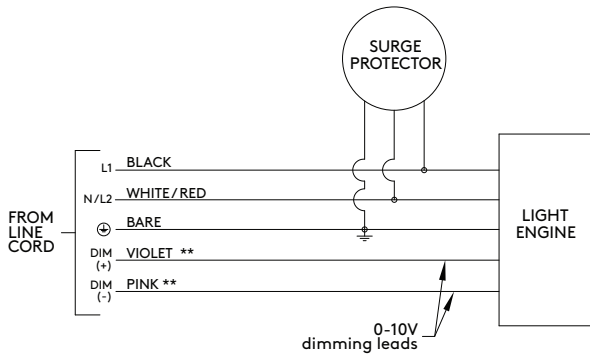
- Customize programming using smartphone application (Refer to the FSP-321 at [www.wattstopper.com](http://www.wattstopper.com)).
- 5 Year Warranty.
- 100% Digital PIR Detection, excellent RF Immunity.
- 270° coverage pattern.
- IP66 Rated for outdoor applications.
- Made for LED light source.
- Adjustable time delays, max/min dim levels, and ramp rates.
- Suitable for Title 24 applications.

(For coverage details refer to wattstopper FSP-321 spec sheet at [www.wattstopper.com](http://www.wattstopper.com)).

Wiring Diagrams

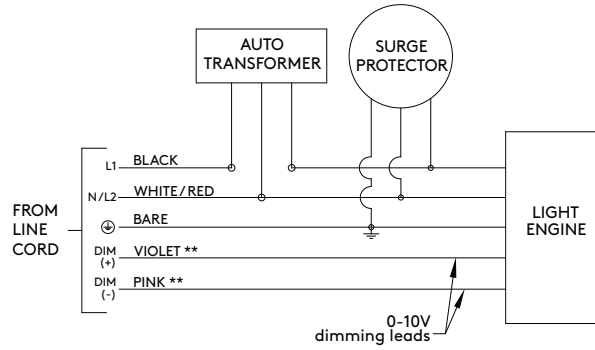
**Standard Wiring (120V-277V)**

\*\*When dimming is not required cap dimming wires.



**Standard Wiring (347/480V with Step-down Transformer)**

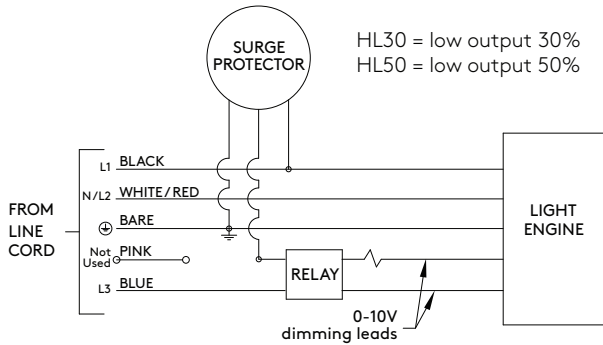
\*\*When dimming is not required cap dimming wires.



**Hi-Lo Switching Option (HL) Wiring HL30 & HL50 Only**

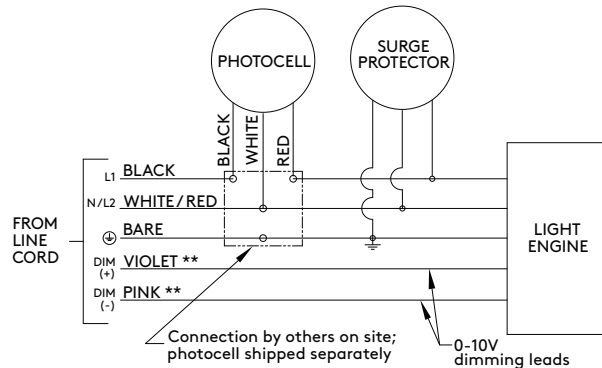
120V, 240V, 277V. When blue is energized, light output will be at "Lo" level. Specify low-level by using one of the 2 levels listed below ( i.e. HL30 or HL50). For other combinations, consult factory

HL30 = low output 30%  
HL50 = low output 50%



**Photocell Option (PCT) Wiring**

\*\*When dimming is not required cap dimming wires.

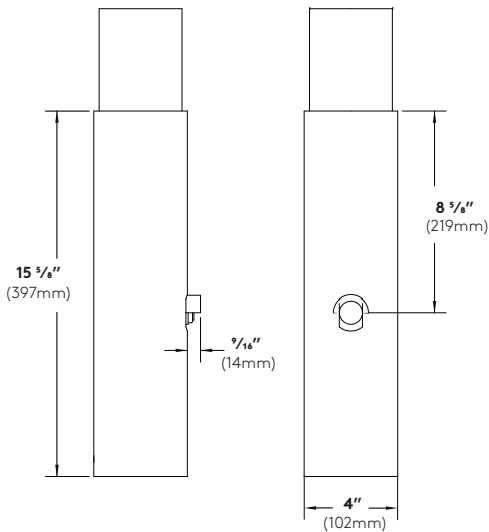
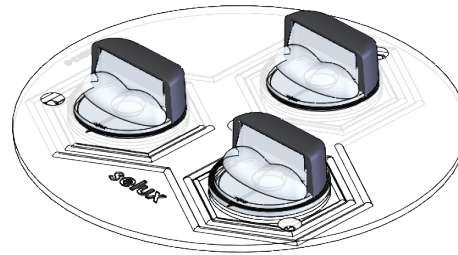


Wire Designation Table		
Source Voltage (VAC)	Wire Color	Wire Designation
120V, 277V, or 347V	Black	L1
	White	Neutral
208V, 240V, or 480V	Black	L1
	Red	L2
UNV (120V-277V)	Black	L1
	White	Neutral (120/277V) or L2 (208/240V)

**Optional Accessories**

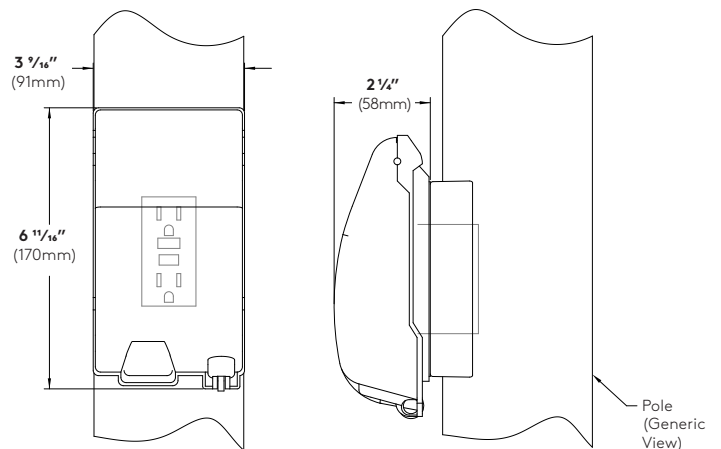
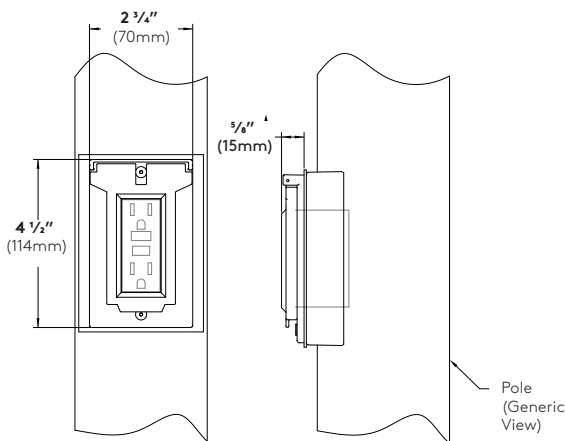
**Photo Cell Tenon (PCT)** - Button type photocell mounted in cast aluminum pole top tenon. Tenon has integral cast visor to prevent false start/stop cycle and can be oriented for optimum performance. Refer to luminaire spec sheet to determine if this option is applicable.

**House Side Shield (HS)** - 180° micro house side shield reduces light levels to <0.1 fc at approximately one mounting height behind luminaire.



**REC and REC3**

**REC2 and REC4**



Cover shown in the closed position

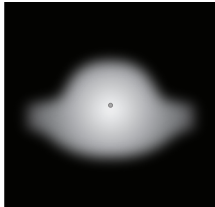
Cover shown in the closed position

**GFCI Duplex Receptacle (REC)** - 120V 15A GFCI duplex receptacle with weatherproof, self-closing cover; located 36" (914mm) o.c. from base of pole, in-line with hand hole. Receptacle is intended only for portable tools or other portable equipment to be connected to outlet only when attended by operating personnel (120V only).

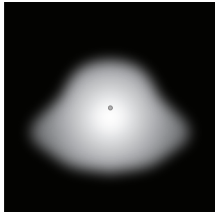
**GFCI Duplex Receptacle (REC2)** - 120V 15A GFCI duplex receptacle with weatherproof, self-closing, padlockable in-use cover; located 36" (914mm) o.c. from base of pole, in-line with hand hole. Receptacle is intended only for portable tools or other portable equipment to be connected to outlet only when attended by operating personnel (120V only).

**USB & GFCI Duplex Receptacle (REC3)** (not shown) - 120V 15A GFCI duplex receptacle with USB combination ports. (1) USB Type-A and (1) USB Type-C port share 2.0A charging capacity between both ports. Includes weatherproof, self-closing cover; located 36" (914mm) o.c. from base of pole, in-line with hand hole. Receptacle is intended only for portable tools or other portable equipment to be connected to outlet only when attended by operating personnel.

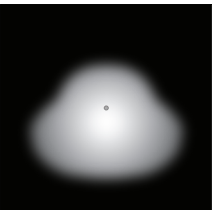
**USB & GFCI Duplex Receptacle (REC4)** (not shown) - 120V 15A GFCI duplex receptacle with USB combination ports. (1) USB Type-A and (1) USB Type-C port share 2.0A charging capacity between both ports. Includes weatherproof, self-closing padlockable in-use cover; located 36" (914mm) o.c. from base of pole, in-line with hand hole. Receptacle is intended only for portable tools or other portable equipment to be connected to outlet only when attended by operating personnel.



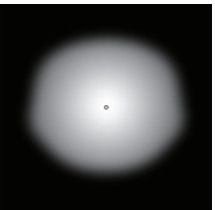
R1 - Distribution Type I					
Light Engine	Lumens	CCT	Input Watts	lm/W	BUG Rating
5G450	4352	3000K	39	112	B1-U0-G1
5G700	6537	3000K	62	105	B2-U0-G2
5G105	9101	3000K	94	97	B2-U0-G1



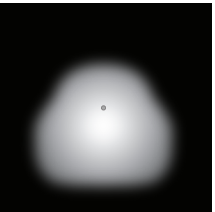
R2 - Distribution Type II					
Light Engine	Lumens	CCT	Input Watts	lm/W	BUG Rating
5G450	4416	3000K	39	113	B1-U0-G1
5G700	6634	3000K	62	107	B2-U0-G1
5G105	9306	3000K	94	99	B2-U0-G2



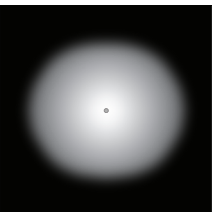
R3 - Distribution Type III					
Light Engine	Lumens	CCT	Input Watts	lm/W	BUG Rating
5G450	4414	3000K	39	113	B1-U0-G1
5G700	6634	3000K	62	107	B2-U0-G1
5G105	9306	3000K	94	99	B2-U0-G2



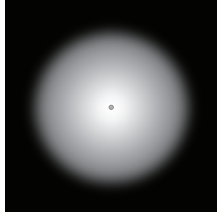
R3W - Distribution Type III					
Light Engine	Lumens	CCT	Input Watts	lm/W	BUG Rating
5G450	4479	3000K	39	115	B2-U0-G1
5G700	6758	3000K	62	109	B2-U0-G2
5G105	9494	3000K	94	101	B3-U0-G2



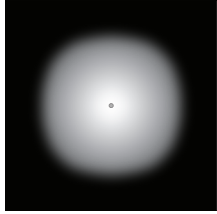
R4 - Distribution Type IV					
Light Engine	Lumens	CCT	Input Watts	lm/W	BUG Rating
5G450	4423	3000K	39	113	B1-U1-G1
5G700	6634	3000K	62	107	B2-U1-G1
5G105	9306	3000K	94	99	B2-U1-G2



R5Q - Distribution Type V					
Light Engine	Lumens	CCT	Input Watts	lm/W	BUG Rating
5G450	4475	3000K	39	115	B2-U0-G2
5G700	6758	3000K	62	109	B2-U0-G2
5G105	9494	3000K	94	101	B3-U0-G3



R5R - Distribution Type V					
Light Engine	Lumens	CCT	Input Watts	lm/W	BUG Rating
5G450	4548	3000K	39	117	B2-U0-G2
5G700	6820	3000K	62	110	B3-U0-G3
5G105	9588	3000K	94	102	B3-U0-G3



R5S - Distribution Type V					
Light Engine	Lumens	CCT	Input Watts	lm/W	BUG Rating
5G450	4517	3000K	39	116	B2-U0-G2
5G700	6820	3000K	62	110	B3-U0-G3
5G105	9588	3000K	94	102	B3-U0-G3

TM-21 Lifetime Calculation						
Light Engine	Ambient Temp (°C)	Lumen Maintenance (% at hours)				Reported L <sub>70</sub>
		25k <sup>1</sup>	50k <sup>1</sup>	75k <sup>2</sup>	100k <sup>2</sup>	
5G450	25°C	99.8%	99.8%	99.8%	99.8%	L <sub>70</sub> (12k) > 70,000 hours
	40°C	99.8%	99.8%	99.8%	99.8%	L <sub>70</sub> (12k) > 70,000 hours
5G700	25°C	99.8%	99.8%	99.8%	99.8%	L <sub>70</sub> (12k) > 70,000 hours
	40°C	99.8%	99.8%	99.8%	99.8%	L <sub>70</sub> (12k) > 70,000 hours
5G105	25°C	99.8%	99.8%	99.8%	99.8%	L <sub>70</sub> (12k) > 70,000 hours
	40°C	99.8%	99.8%	99.8%	99.8%	L <sub>70</sub> (12k) > 70,000 hours

<sup>1</sup> Calculated in accordance with IESNA TM-21-11, projected values are within six times (6x) the IESNA LM-80-08 test duration

<sup>2</sup> Thermal measurements based on Order Code: LRC-10-AS-D12-30-BL-480-CF

Date: \_\_\_\_\_ Customer: \_\_\_\_\_  
 Project: \_\_\_\_\_  
 Type: \_\_\_\_\_ Qty: \_\_\_\_\_

**selux**

**WAKE ROBIN INN  
 104-106 SHARON ROAD  
 SALISBURY, CT  
 P3-8**

**Saturn Cutoff 2 LED**



**Order Code:** SAC2L - R3 - 1 - 5G450 - 27 - 08 - FIN - VOLT - \_\_\_\_\_

**Pole Order Code:** A35 - 8 - FIN - VOLT-BC5  
Series Height Finish Options

<u>SAC2L</u>	Series	<b>SAC2L</b> Saturn Cutoff 2 LED							
	Optics	R1 Type I	R2 Type II	<b>R3</b> Type III	R3W Type III (Wide)	R4 Type IV	R5R Type V (Round)	R5S Type V (Square)	R5Q Type V (Rectangular)
	Mounting	<b>1</b> Single	1A Single Arm Mount	2 Double	W Wall Mount				
	Light Engine	<b>5G450</b> 39W/4352lm	5G700 62W/6537lm	5G105 94W/9101lm					<small>*Based on R1 distribution in 3000K CCT.</small>
	CCT	<b>27<sup>1</sup></b> 2700K	30 <sup>1</sup> 3000K	40 4000K					<b>DarkSky approved.</b> <small>*For other CCTs please consult factory.</small>
	Power Cord Length	<b>08</b> 8'	10 10'	12 12'	14 14'	16 16'	18 18'	<b>XX<sup>2</sup></b> XX	<small>*For 1 mounting use the pole height. For 1A or 2 mounting use the pole height +2.  <sup>2</sup>Specify number of feet in whole foot increments.</small>
	Finish	<b>WH</b> White	<b>BK</b> Black	<b>BL</b> Semi-Matte Black	<b>BZ</b> Bronze	<b>SV</b> Silver	<b>SP</b> Specify Premium Color		
	Voltage	<b>120</b> 120V	<b>240</b> 240V	<b>277</b> 277V	<b>347<sup>3</sup></b> 347V	<b>480<sup>3</sup></b> 480V			<small>*Equipped with step-down transformer.</small>
	Options	<b>DM<sup>5</sup></b> Dimming (0-10V)	<b>HS<sup>4</sup></b> House Side Shield (180°)	<b>HL30<sup>5,6</sup></b> Hi-Lo Switching Low Output 30%	<b>HL50<sup>5,6</sup></b> Hi-Lo Switching Low Output 50%	<b>PCT<sup>7</sup></b> Photocell Tenon	<b>MS<sup>5,7</sup></b> Pole Motion Sensor with Optional Photocell (See pagr 3 for order code)		<small><sup>4</sup>Type I, II, III, and IV only.  <sup>5</sup>DM, HLXX, or MS only. Cannot be combined.  <sup>6</sup>120V, 240V, or 277V only.  <sup>7</sup>PCT or MS only. Cannot be combined.</small>

**Product Modifications**

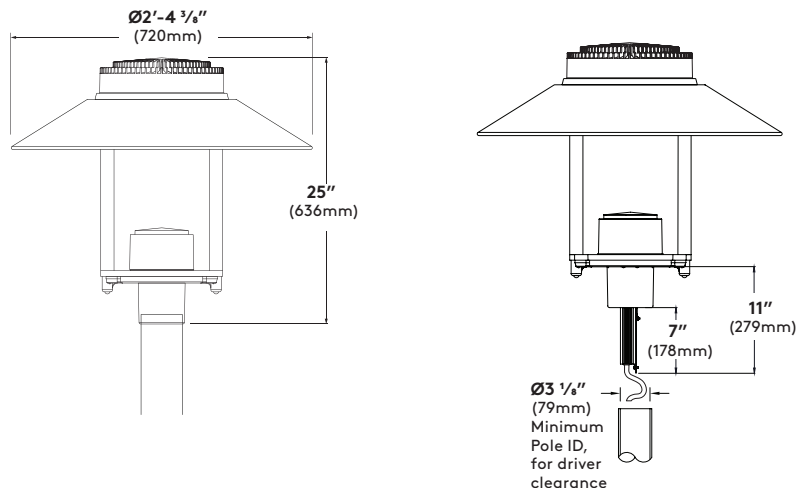
Please list modification requirements for review by factory:

**Approvals**

Date: \_\_\_\_\_



## SAC2L-1-XX-DS



### Specifications

**Luminaire Cover** - Die cast aluminum cover made from low copper alloy, designed to ensure optimal thermal management for extra long lifetime of LED light engine.

**Gasketing** - Continuous gasket provides weatherproofing, dust, and insect control at all fixture connections.

**Luminaire Hood** - Aluminum shade with white painted interior.

**LED Array** - High flux LEDs mounted to PC boards and attached to aluminum heat sink for maximum LED performance and life. CCT tolerance ¼ step binning for 3000K and 4000K. CRI minimum 80. Complete light engine can be removed easily for future upgrade. LED light engine provides a reported lumen maintenance of 93% at 50,000 hours. L70 calculated greater than 100,000 hours.

**LED Optics** - Technical Optics (R1, R2, R3, R3W, R4, R5S, R5Q, and R5R) use Selux signature Gen5 light pattern acrylic lens holder to secure proprietary silicone optics. Micro house side shield available for distributions types I, II, III, and IV.

**LED Driver** - LEDs are driven by RoHS compliant constant current programmable LED driver. Driver includes 0-10V dimming to 10%, meets the requirements of IP66. Driver assembly located inside the head.

**Hood Supports** - Two aluminum arms support shade and optic assembly and attach to the die cast aluminum pole fitter.

**Pole Fitter** - Self-leveling, die cast low-copper aluminum alloy, fitter base secured to pole with three stainless steel Allen head set screws. Fitter for 3 ½" (90mm) O.D. poles.

**Driver cover** - Die cast aluminum cover made from low copper alloy, removes for toolless access to driver. Driver secured to removable tray for ease of maintenance.

**Surge Protector** - Designed to protect luminaire from electrical surge (20kA).

**Power Cord** - Pre-installed at factory. Please specify power cord length in accordance to height of the pole. Add 2 feet to power cord length or if Single Arm Mount (1A) or Double Mount (2).

**Exterior Luminaire Finish** - Selux utilizes a high quality Polyester Powder Coating. All Selux luminaires and poles are finished in our Tiger Drylac certified facility and undergo a five stage intensive pretreatment process where product is thoroughly cleaned, phosphated and sealed. Selux powder coated products provide excellent salt and humidity resistance as well as ultraviolet resistance for color retention. All products are tested in accordance with test specifications for coatings from ASTM and PCI.

Standard exterior colors are White (WH), Black (BK), Semi-Matte Black (BL), Bronze (BZ), and Silver (SV). Selux premium colors (SP) are available, please specify from your Selux color selection guide.

### 5 Year Limited LED Luminaire Warranty -

Selux offers a 5 Year Limited Warranty to the original purchaser that the Saturn Cutoff 2 LED luminaire shall be free from defects in material and workmanship for up to five (5) years from date of shipment. This limited warranty covers the LED driver and LED array when installed and operated according to Selux instructions. For details, see "Selux Terms and Condition of Sale."

**Listings and Ratings:** Luminaire and LED tested to IP65 and IESNA LM-79-08 standards. LED tested to LM-80 standards. Luminaire and LED tested at 25°C ambient temperature.

**Luminaire suitable for ambient temperature of 45°C. Minimum operating temperature of luminaire at -40°C (-40°F).**

**NRTL Listed (i.e. UL, CSA).**

**Visit [selux.us](http://selux.us) for our LED End of Life recycling policy.**

**For Buy American compliance on poles, please consult the factory.**

### Mounting

#### Single (1)

Die cast aluminum fitter base secured to pole with three stainless steel Allen head set screws.

EPA = 0.8ft<sup>2</sup> (0.08m<sup>2</sup>)  
Weight = 39lbs. (17.7kg)

#### Single Arm Mount (1A)

Die cast aluminum single luminaire mounting arm secured to pole with four stainless steel Allen head set screws. Outer slip fitter for Ø3½" tenon.

EPA = 1.3ft<sup>2</sup> (0.12m<sup>2</sup>)  
Weight = 53lbs. (24.0kg)

#### Double (2)

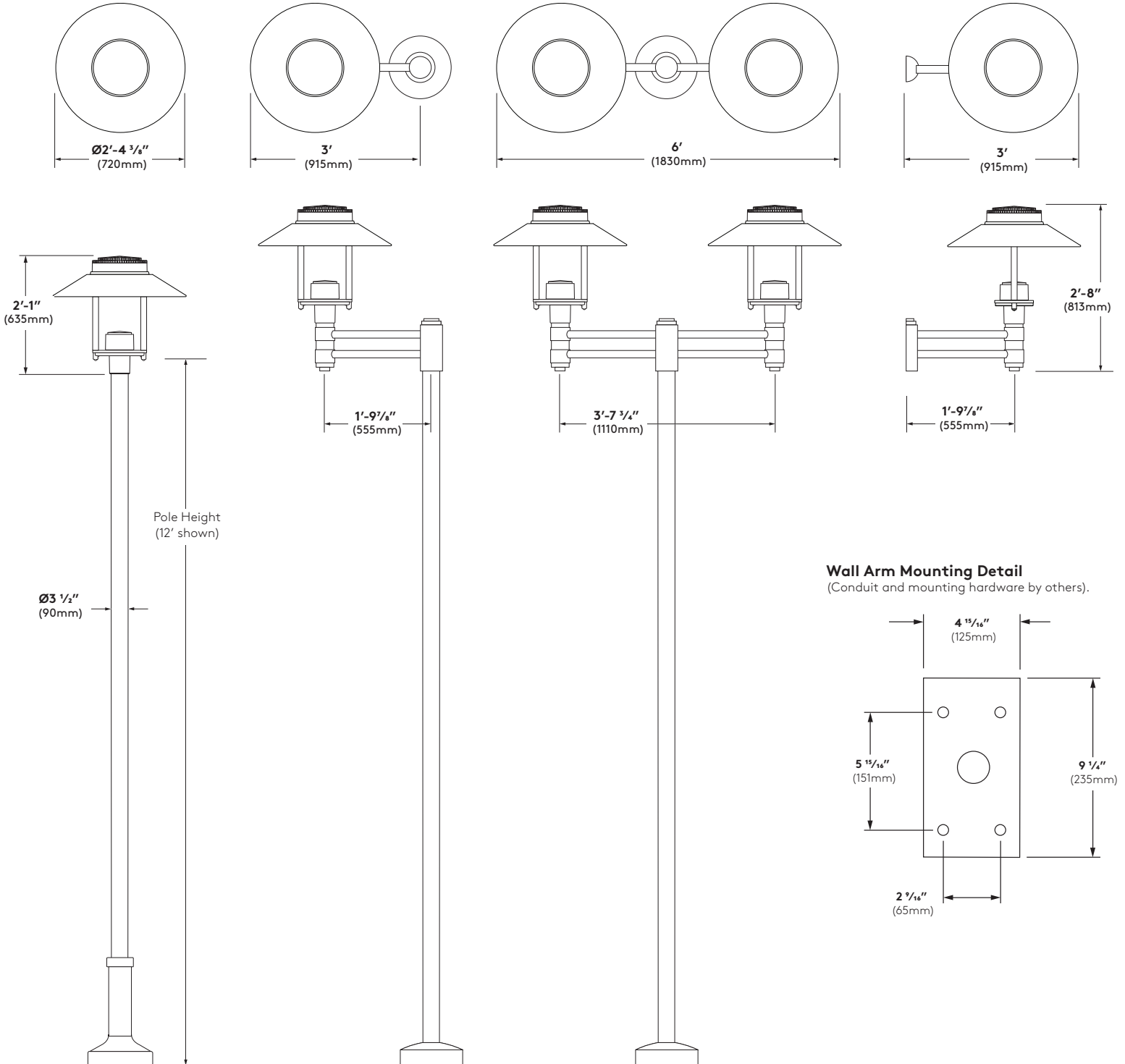
Die cast aluminum double luminaire mounting arm secured to pole with four stainless steel Allen head set screws. Outer slip fitter for Ø3½" tenon.

EPA = 2.4ft<sup>2</sup> (0.22m<sup>2</sup>)  
Weight = 100lbs. (79.8kg)

#### Wall (W)

Die cast aluminum double round wall mount arm. Secured to wall with ¼" diameter threaded fasteners (by others).

EPA = 1.2ft<sup>2</sup> (0.11m<sup>2</sup>)  
Weight = 50lbs. (22.7kg)



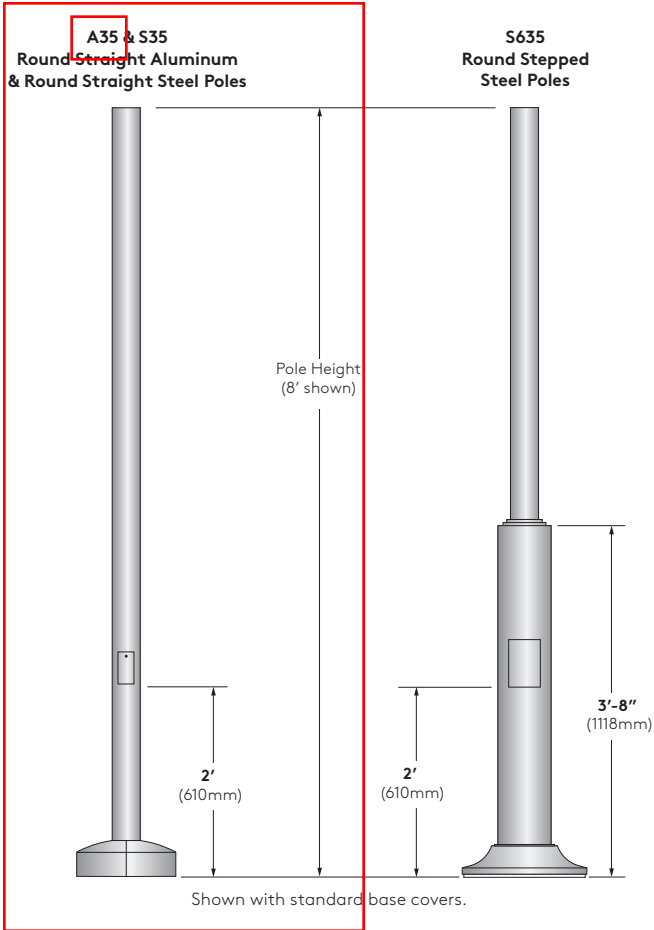
**Wall Arm Mounting Detail**  
(Conduit and mounting hardware by others).

**Pole Information**

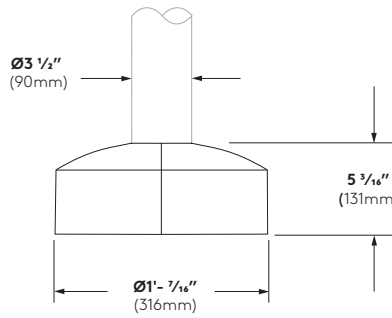
Refer to pole specification sheets for construction details, anchorage information and additional options.

**Base Cover Information**

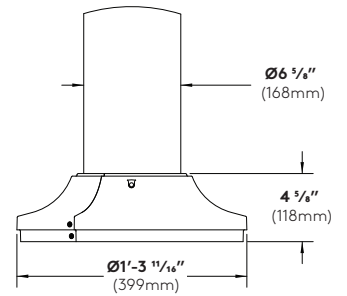
Refer to pole specification sheets for construction details, anchorage information and additional options.



**Standard Base Cover (BC5)**  
Supplied with A35 and S35  
Two-piece cast aluminum

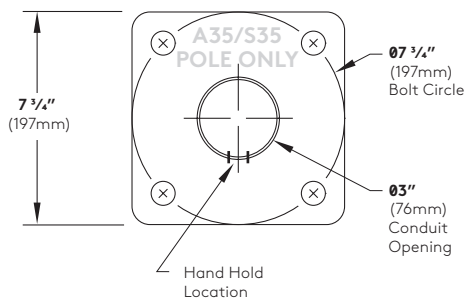


**Standard Base Cover (BC6)**  
Supplied with S635  
Two-piece cast aluminum



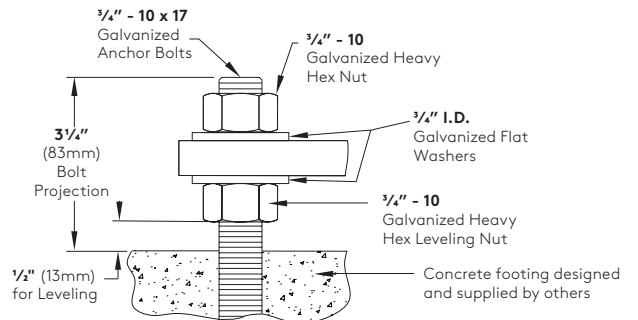
**Bolt Circle for A35 & S35**

Use caution when setting anchor bolts. Bolts must be vertically straight and centered on dimensions shown



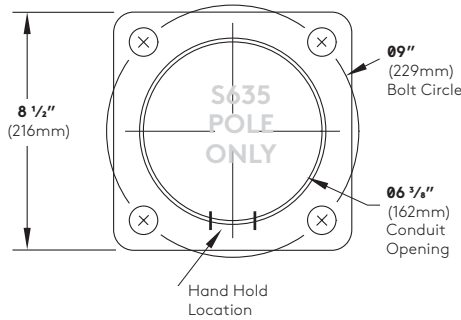
**Note:** Adequate drainage must be provided in concrete foundation.

**Anchor Bolt Detail for A35 & S35**

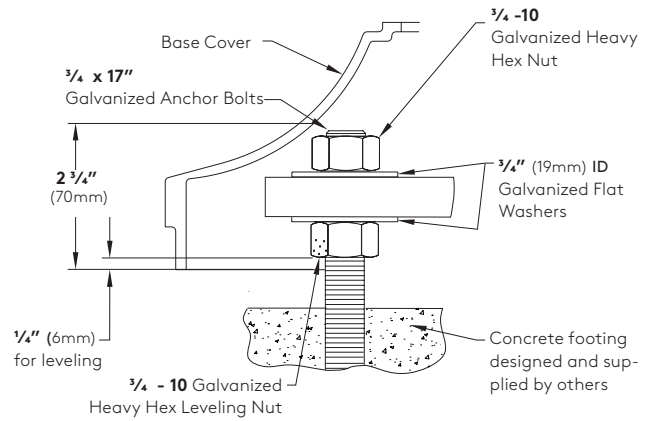


**Bolt Circle for S635**

Use caution when setting anchor bolts. Bolts must be vertically straight and centered on dimensions shown.



**Anchor Bolt Detail for S635**



**Note:** Adequate drainage must be provided in concrete foundation.

**Pole Data Chart**

Pole Series	Bolt Circle (in)	Wall (in)	Maximum EPA Rating (ft²) / Wind Speed (mph)											Height	Finish	Options
			85	90	100	110	120	130	140	150	160	170	180			
A35 3 1/2" Round Straight Aluminum Pole	7 3/4	0.197	8.7	7.7	6.0	4.8	3.9	3.1	2.6	2.2	1.9	1.7	1.5	8ft 8ft	WH White BK Black BL Semi-Matte Black BZ Bronze SV Silver	<b>BC3</b> Decorative Cast Aluminum Base Cover (AT535) <b>BC5</b> Decorative Cast Aluminum Base Cover (A35 and S35) <b>BC6</b> Decorative Cast Aluminum Base Cover (S635) <b>REC*</b> GFCI Duplex Receptacle with weatherproof cover. <b>REC2*</b> GFCI Duplex Receptacle with padlockable in-use cover. <b>REC3*</b> USB and Duplex Receptacle with weatherproof cover. <b>REC4*</b> USB and Duplex Receptacle with padlockable in-use cover. <b>MS</b> Motion Sensor with optional Photocell (Meets Title 24 Requirements).
S35 3 1/2" Round Straight Steel Pole	7 3/4	0.125	13.1	11.5	9.2	7.4	6.0	5.0	4.2	3.6	3.2	2.8	2.4			
S635 6" to 3 1/2" Round Straight Stepped Steel Pole	9	0.125	34.4	30.6	24.6	20.2	16.8	14.2	12.2	10.5	9.2	8.1	7.2			
A35 3 1/2" Round Straight Aluminum Pole	7 3/4	0.197	6.9	6.0	4.6	3.6	2.8	2.2	1.8	1.5	1.2	1.0	0.9	10 10ft	SP Specify Pre-mium Color	
S35 3 1/2" Round Straight Steel Pole	7 3/4	0.125	10.5	9.2	7.2	5.7	4.6	3.7	3.1	2.6	2.3	2.0	1.7			
S635 6" to 3 1/2" Round Straight Stepped Steel Pole	9	0.125	28.5	23.5	20.2	16.5	13.7	11.5	9.8	8.5	7.4	6.5	5.7			
A35 3 1/2" Round Straight Aluminum Pole	7 3/4	0.197	5.4	4.7	3.5	2.6	1.9	1.4	1.1	0.8	0.7	-	-	12 12ft		
S35 3 1/2" Round Straight Steel Pole	7 3/4	0.125	8.6	7.5	5.7	4.4	3.5	2.7	2.2	1.9	1.6	1.3	1.1			
S635 6" to 3 1/2" Round Straight Stepped Steel Pole	9	0.125	23.6	21.0	16.9	13.7	11.3	9.4	8.0	6.9	6.0	5.2	4.6			
A35 3 1/2" Round Straight Aluminum Pole	7 3/4	0.197	3.8	3.2	2.2	1.5	0.9	-	-	-	-	-	-	14 14ft		
S35 3 1/2" Round Straight Steel Pole	7 3/4	0.125	6.3	5.4	4.0	3.0	2.2	1.6	1.2	1.0	0.8	0.6	-			
S635 6" to 3 1/2" Round Straight Stepped Steel Pole	9	0.125	18.2	16.2	13.1	10.5	8.6	7.0	5.9	5.0	4.4	3.8	3.3			
A35 3 1/2" Round Straight Aluminum Pole	7 3/4	0.197	2.7	2.2	1.3	0.7	-	-	-	-	-	-	-	16 16ft		
S35 3 1/2" Round Straight Steel Pole	7 3/4	0.125	5.1	4.3	3.1	2.1	1.4	0.9	0.6	-	-	-	-			
S635 6" to 3 1/2" Round Straight Stepped Steel Pole	9	0.125	15.6	13.9	11.2	8.9	7.1	5.7	4.8	4.0	3.5	3.0	2.6			
A35 3 1/2" Round Straight Aluminum Pole	7 3/4	0.125	4.2	3.4	2.2	1.4	0.8	-	-	-	-	-	-	18 16ft		
S35 3 1/2" Round Straight Steel Pole	7 3/4	0.125	4.2	3.4	2.2	1.4	0.8	-	-	-	-	-	-			
S635 6" to 3 1/2" Round Straight Stepped Steel Pole	9	0.125	15.6	13.9	11.2	8.9	7.1	5.7	4.8	4.0	3.5	3.0	2.6			
AT535 5" to 3 1/2" Round tapered Aluminum Pole	8 5/8	0.188	8.9	7.6	5.7	4.3	3.3	2.6	2.1	1.7	1.4	1.2	1.0	20 20ft		
S635 6" to 3 1/2" Round Straight Stepped Steel Pole	9	0.125	13.7	12.2	9.5	7.5	5.9	4.6	3.8	3.2	2.7	2.3	2.0			
AT535 5" to 3 1/2" Round tapered Aluminum Pole	8 5/8	0.188	7.3	6.2	4.4	3.2	2.3	1.7	1.4	1.1	0.9	-	-			
S635 6" to 3 1/2" Round Straight Stepped Steel Pole	9	0.125	12.1	10.8	8.2	6.3	4.8	3.7	2.9	2.4	2.0	1.7	1.4			

**Notes:**  
 1. Maximum EPA ratings certified in accordance with AASHTO 2013 (LTS-6-13) for 3-s gust wind speeds based on Allowable Stress Design (ASD) analysis  
 2. Consult factory for equivalent Load and Resistance Factor Design (LRFD) wind speeds  
 3. Rated performance is dependent upon the pole being properly attached to a supporting foundation of adequate design  
 \*The EPA capacity of a S35 pole is reduced with receptacle option. Consult factory for S35 EPA capacity with receptacle.

**Round Pole Motion Sensor**

The Selux outdoor rated sensor incorporates Passive Infrared (PIR) Technology for motion sensing and also includes built-in photocell. Sensor comes pre-installed in cast aluminum housing painted to match pole finish.

Series	Hand Hole Orientation	Dim Level	Photocell Feature	Voltage
<b>MS</b> Motion Sensor	<b>00</b> 0° Clockwise from Hand Hole	<b>D0</b> (Off)	Y Yes	<b>UNV</b> (100-347VAC single phase or 208/230/480VAC phase-to-phase)
	<b>09</b> 90° Clockwise from Hand Hole	<b>D1</b> (1V=10%)		
	<b>18</b> 180° Clockwise from Hand Hole	<b>D3</b> (3V=30%)	N No	
	<b>27</b> 270° Clockwise from Hand Hole	<b>D5</b> (5V=50%)		

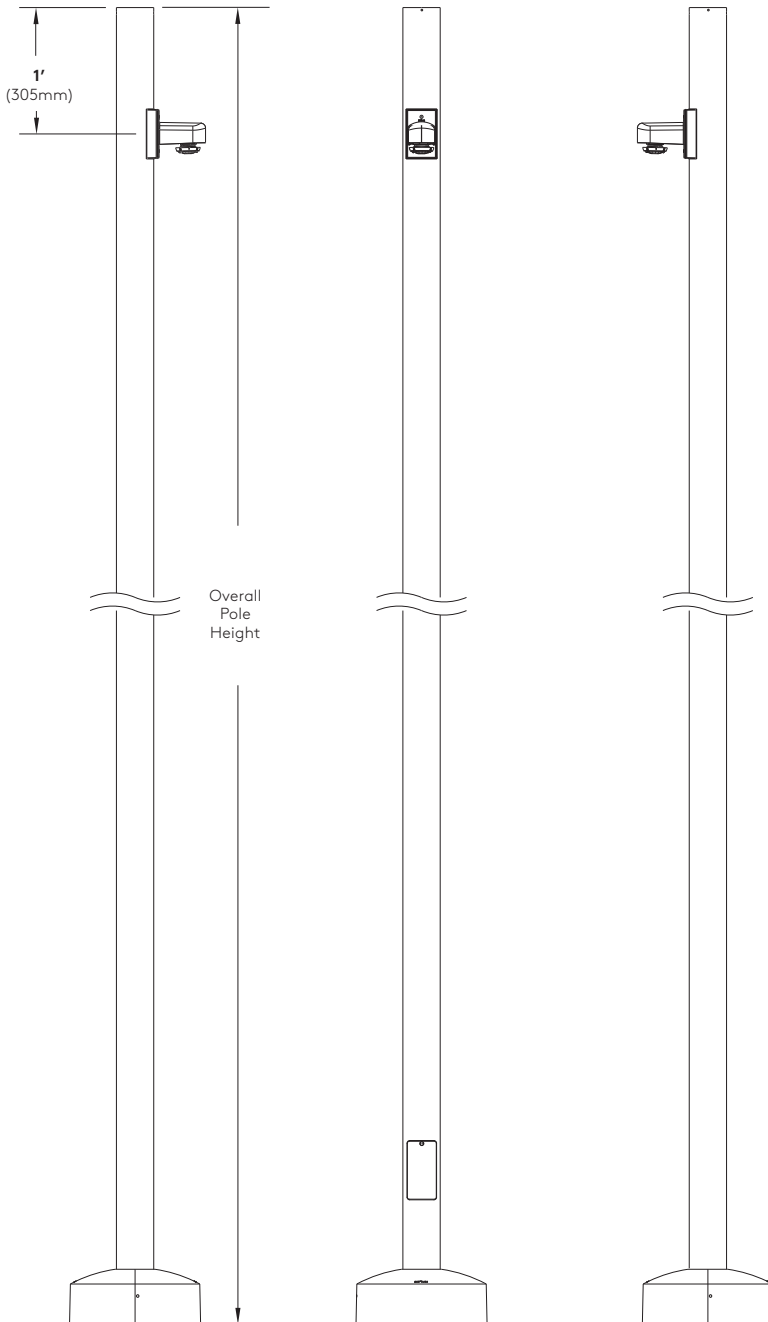
**Factory Defaults:**

Delay to Dim: 5 minutes

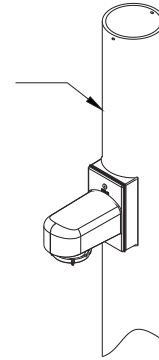
Delay to Off: 1 hour

Sensitivity: Max

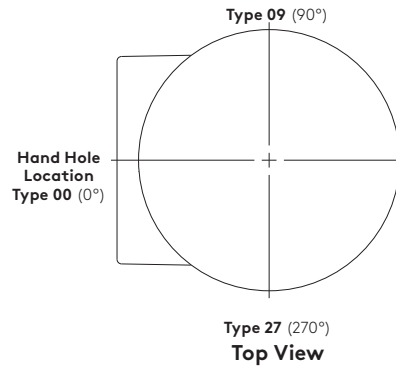
Custom Programming: Consult Factory



General Pole Drawing For Example Only.



Sensor angular orientation from hand hole 0°  
90° increments clockwise around pole (Type 00, 09, 18, 27)



**Motion Sensor Features**

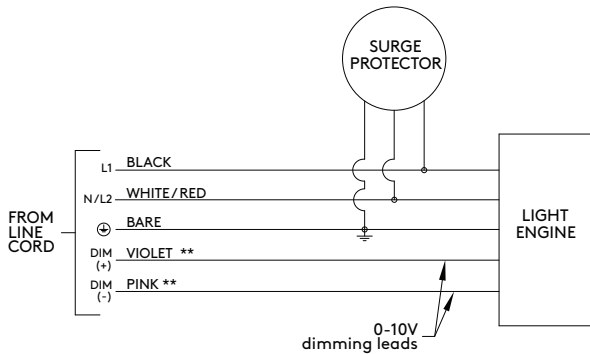
- Customize programming using smartphone application (Refer to the FSP-321 at [www.wattstopper.com](http://www.wattstopper.com)).
- 5 Year Warranty.
- 100% Digital PIR Detection, excellent RF Immunity.
- 270° coverage pattern.
- IP66 Rated for outdoor applications.
- Made for LED light source.
- Adjustable time delays, max/min dim levels, and ramp rates.
- Suitable for Title 24 applications.

(For coverage details refer to wattstopper FSP-321 spec sheet at [www.wattstopper.com](http://www.wattstopper.com)).

Wiring Diagrams

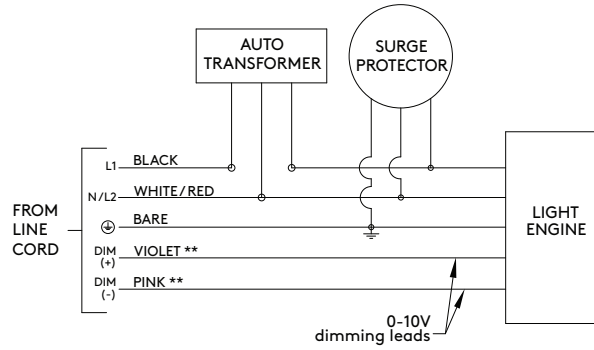
**Standard Wiring (120V-277V)**

\*\*When dimming is not required cap dimming wires.



**Standard Wiring (347/480V with Step-down Transformer)**

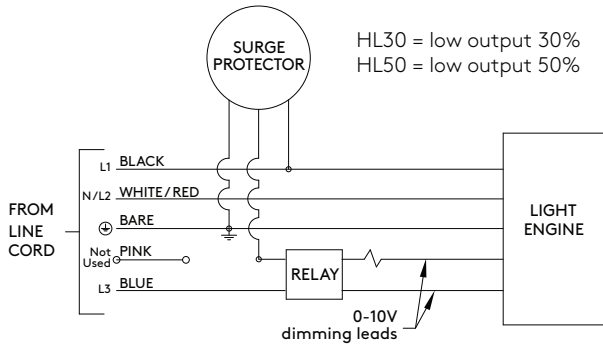
\*\*When dimming is not required cap dimming wires.



**Hi-Lo Switching Option (HL) Wiring HL30 & HL50 Only**

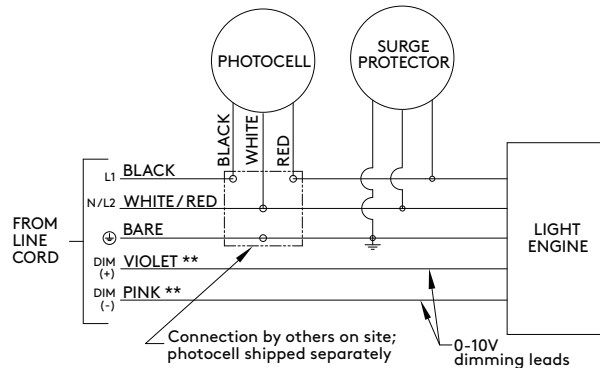
120V, 240V, 277V. When blue is energized, light output will be at "Lo" level. Specify low-level by using one of the 2 levels listed below ( i.e. HL30 or HL50). For other combinations, consult factory

HL30 = low output 30%  
HL50 = low output 50%



**Photocell Option (PCT) Wiring**

\*\*When dimming is not required cap dimming wires.

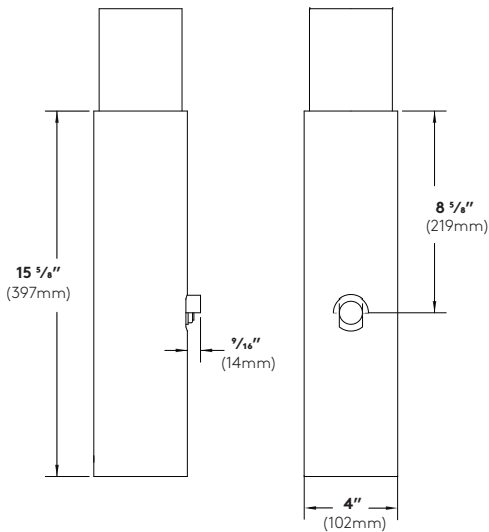
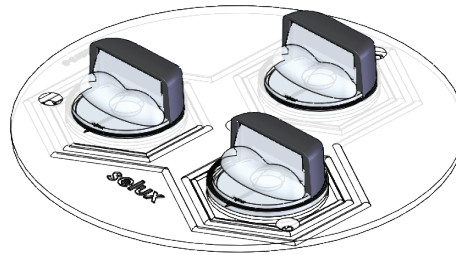


Wire Designation Table		
Source Voltage (VAC)	Wire Color	Wire Designation
120V, 277V, or 347V	Black	L1
	White	Neutral
208V, 240V, or 480V	Black	L1
	Red	L2
UNV (120V-277V)	Black	L1
	White	Neutral (120/277V) or L2 (208/240V)

**Optional Accessories**

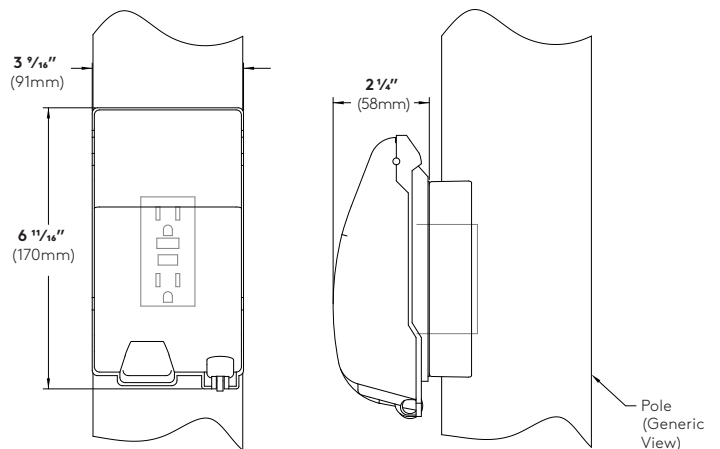
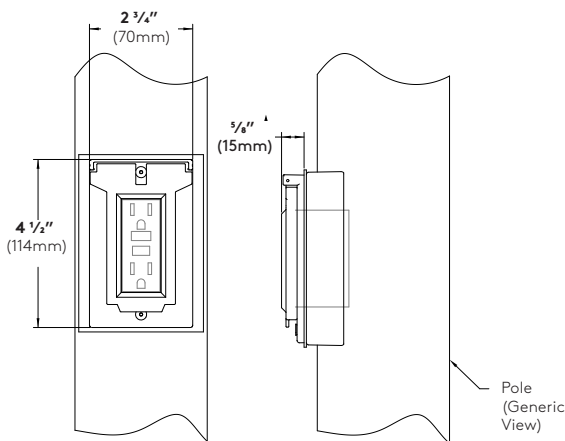
**Photo Cell Tenon (PCT)** - Button type photocell mounted in cast aluminum pole top tenon. Tenon has integral cast visor to prevent false start/stop cycle and can be oriented for optimum performance. Refer to luminaire spec sheet to determine if this option is applicable.

**House Side Shield (HS)** - 180° micro house side shield reduces light levels to <0.1 fc at approximately one mounting height behind luminaire.



**REC and REC3**

**REC2 and REC4**



Cover shown in the closed position

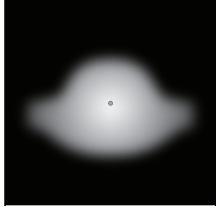
Cover shown in the closed position

**GFCI Duplex Receptacle (REC)** - 120V 15A GFCI duplex receptacle with weatherproof, self-closing cover; located 36" (914mm) o.c. from base of pole, in-line with hand hole. Receptacle is intended only for portable tools or other portable equipment to be connected to outlet only when attended by operating personnel (120V only).

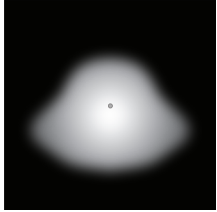
**GFCI Duplex Receptacle (REC2)** - 120V 15A GFCI duplex receptacle with weatherproof, self-closing, padlockable in-use cover; located 36" (914mm) o.c. from base of pole, in-line with hand hole. Receptacle is intended only for portable tools or other portable equipment to be connected to outlet only when attended by operating personnel (120V only).

**USB & GFCI Duplex Receptacle (REC3)** (not shown) - 120V 15A GFCI duplex receptacle with USB combination ports. (1) USB Type-A and (1) USB Type-C port share 2.0A charging capacity between both ports. Includes weatherproof, self-closing cover; located 36" (914mm) o.c. from base of pole, in-line with hand hole. Receptacle is intended only for portable tools or other portable equipment to be connected to outlet only when attended by operating personnel.

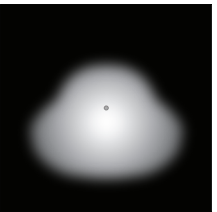
**USB & GFCI Duplex Receptacle (REC4)** (not shown) - 120V 15A GFCI duplex receptacle with USB combination ports. (1) USB Type-A and (1) USB Type-C port share 2.0A charging capacity between both ports. Includes weatherproof, self-closing padlockable in-use cover; located 36" (914mm) o.c. from base of pole, in-line with hand hole. Receptacle is intended only for portable tools or other portable equipment to be connected to outlet only when attended by operating personnel.

**R1 - Distribution Type I**

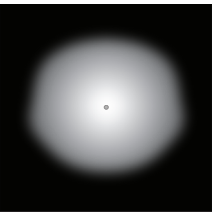
Light Engine	Lumens	CCT	Input Watts	lm/W	BUG Rating
5G450	4352	3000K	39	112	B1-U0-G1
5G700	6537	3000K	62	105	B2-U0-G2
5G105	9101	3000K	94	97	B2-U0-G1

**R2 - Distribution Type II**

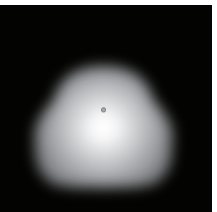
Light Engine	Lumens	CCT	Input Watts	lm/W	BUG Rating
5G450	4416	3000K	39	113	B1-U0-G1
5G700	6634	3000K	62	107	B2-U0-G1
5G105	9306	3000K	94	99	B2-U0-G2

**R3 - Distribution Type III**

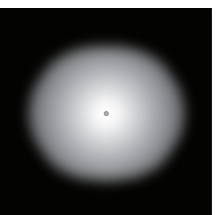
Light Engine	Lumens	CCT	Input Watts	lm/W	BUG Rating
5G450	4414	3000K	39	113	B1-U0-G1
5G700	6634	3000K	62	107	B2-U0-G1
5G105	9306	3000K	94	99	B2-U0-G2

**R3W - Distribution Type III**

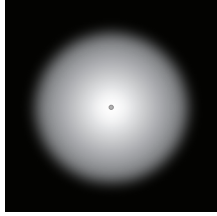
Light Engine	Lumens	CCT	Input Watts	lm/W	BUG Rating
5G450	4479	3000K	39	115	B2-U0-G1
5G700	6758	3000K	62	109	B2-U0-G2
5G105	9494	3000K	94	101	B3-U0-G2

**R4 - Distribution Type IV**

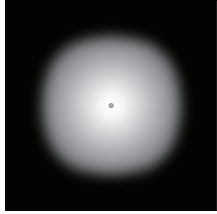
Light Engine	Lumens	CCT	Input Watts	lm/W	BUG Rating
5G450	4423	3000K	39	113	B1-U1-G1
5G700	6634	3000K	62	107	B2-U1-G1
5G105	9306	3000K	94	99	B2-U1-G2

**R5Q - Distribution Type V**

Light Engine	Lumens	CCT	Input Watts	lm/W	BUG Rating
5G450	4475	3000K	39	115	B2-U0-G2
5G700	6758	3000K	62	109	B2-U0-G2
5G105	9494	3000K	94	101	B3-U0-G3



R5R - Distribution Type V					
Light Engine	Lumens	CCT	Input Watts	lm/W	BUG Rating
5G450	4548	3000K	39	117	B2-U0-G2
5G700	6820	3000K	62	110	B3-U0-G3
5G105	9588	3000K	94	102	B3-U0-G3



R5S - Distribution Type V					
Light Engine	Lumens	CCT	Input Watts	lm/W	BUG Rating
5G450	4517	3000K	39	116	B2-U0-G2
5G700	6820	3000K	62	110	B3-U0-G3
5G105	9588	3000K	94	102	B3-U0-G3

TM-21 Lifetime Calculation						
Light Engine	Ambient Temp (°C)	Lumen Maintenance (% at hours)				Reported L <sub>70</sub>
		25k <sup>1</sup>	50k <sup>1</sup>	75k <sup>2</sup>	100k <sup>2</sup>	
5G450	25°C	99.8%	99.8%	99.8%	99.8%	L <sub>70</sub> (12k) > 70,000 hours
	40°C	99.8%	99.8%	99.8%	99.8%	L <sub>70</sub> (12k) > 70,000 hours
5G700	25°C	99.8%	99.8%	99.8%	99.8%	L <sub>70</sub> (12k) > 70,000 hours
	40°C	99.8%	99.8%	99.8%	99.8%	L <sub>70</sub> (12k) > 70,000 hours
5G105	25°C	99.8%	99.8%	99.8%	99.8%	L <sub>70</sub> (12k) > 70,000 hours
	40°C	99.8%	99.8%	99.8%	99.8%	L <sub>70</sub> (12k) > 70,000 hours

<sup>1</sup> Calculated in accordance with IESNA TM-21-11, projected values are within six times (6x) the IESNA LM-80-08 test duration

<sup>2</sup> Thermal measurements based on Order Code: LRC-10-AS-D12-30-BL-480-CF

Date: \_\_\_\_\_ Customer: \_\_\_\_\_  
 Project: \_\_\_\_\_  
 Type: \_\_\_\_\_ Qty: \_\_\_\_\_

**selux**

**WAKE ROBIN INN  
 104-106 SHARON ROAD  
 SALISBURY, CT  
 P5-8**

**Saturn Cutoff 2 LED**



**Order Code:** SAC2L - R5S - 1 - 5G450 27 - 08 - FIN - VOLT - \_\_\_\_\_

**Pole Order Code:** A35 - 8 - FIN - VOLT-BC5  
Series Height Finish Options

<u>SAC2L</u>	Series	<b>SAC2L</b> Saturn Cutoff 2 LED								
	Optics	R1 Type I	R2 Type II	R3 Type III	R3W Type III (Wide)	R4 Type IV	R5R Type V (Round)	<b>R5S</b> Type V (Square)	R5Q Type V (Rectangular)	
	Mounting	<b>1</b> Single	1A Single Arm Mount	2 Double	W Wall Mount					
	Light Engine	<b>5G450</b> 39W/4352lm	5G700 62W/6537lm	5G105 94W/9101lm						<small>*Based on R1 distribution in 3000K CCT.</small>
	CCT	<b>27<sup>1</sup></b> 2700K	30 <sup>1</sup> 3000K	40 4000K						<small><b>DarkSky approved.</b> *For other CCTs please consult factory.</small>
	Power Cord Length	<b>08</b> 8'	10 10'	12 12'	14 14'	16 16'	18 18'	<b>XX<sup>2</sup></b> XX		<small>*For 1 mounting use the pole height. For 1A or 2 mounting use the pole height +2. <sup>2</sup>Specify number of feet in whole foot increments.</small>
	Finish	<b>WH</b> White	<b>BK</b> Black	<b>BL</b> Semi-Matte Black	<b>BZ</b> Bronze	<b>SV</b> Silver	<b>SP</b> Specify Premium Color			
	Voltage	<b>120</b> 120V	<b>240</b> 240V	<b>277</b> 277V	<b>347<sup>3</sup></b> 347V	<b>480<sup>3</sup></b> 480V				<small><sup>3</sup>Equipped with step-down transformer.</small>
	Options	<b>DM<sup>5</sup></b> Dimming (0-10V)	<b>HS<sup>4</sup></b> House Side Shield (180°)	<b>HL30<sup>5,6</sup></b> Hi-Lo Switching Low Output 30%	<b>HL50<sup>5,6</sup></b> Hi-Lo Switching Low Output 50%	<b>PCT<sup>7</sup></b> Photocell Tenon	<b>MS<sup>5,7</sup></b> Pole Motion Sensor with Optional Photocell (See pagr 3 for order code)			<small><sup>4</sup>Type I, II, III, and IV only. <sup>5</sup>DM, HLXX, or MS only. Cannot be combined. <sup>6</sup>120V, 240V, or 277V only. <sup>7</sup>PCT or MS only. Cannot be combined.</small>

**Product Modifications**

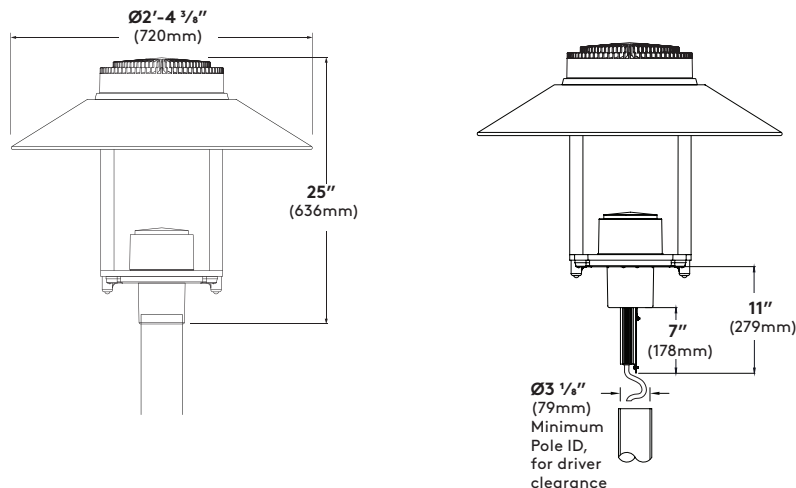
Please list modification requirements for review by factory:

**Approvals**

Date: \_\_\_\_\_



## SAC2L-1-XX-DS



### Specifications

**Luminaire Cover** - Die cast aluminum cover made from low copper alloy, designed to ensure optimal thermal management for extra long lifetime of LED light engine.

**Gasketing** - Continuous gasket provides weatherproofing, dust, and insect control at all fixture connections.

**Luminaire Hood** - Aluminum shade with white painted interior.

**LED Array** - High flux LEDs mounted to PC boards and attached to aluminum heat sink for maximum LED performance and life. CCT tolerance ¼ step binning for 3000K and 4000K. CRI minimum 80. Complete light engine can be removed easily for future upgrade. LED light engine provides a reported lumen maintenance of 93% at 50,000 hours. L70 calculated greater than 100,000 hours.

**LED Optics** - Technical Optics (R1, R2, R3, R3W, R4, R5S, R5Q, and R5R) use Selux signature Gen5 light pattern acrylic lens holder to secure proprietary silicone optics. Micro house side shield available for distributions types I, II, III, and IV.

**LED Driver** - LEDs are driven by RoHS compliant constant current programmable LED driver. Driver includes 0-10V dimming to 10%, meets the requirements of IP66. Driver assembly located inside the head.

**Hood Supports** - Two aluminum arms support shade and optic assembly and attach to the die cast aluminum pole fitter.

**Pole Fitter** - Self-leveling, die cast low-copper aluminum alloy, fitter base secured to pole with three stainless steel Allen head set screws. Fitter for 3 ½" (90mm) O.D. poles.

**Driver cover** - Die cast aluminum cover made from low copper alloy, removes for toolless access to driver. Driver secured to removable tray for ease of maintenance.

**Surge Protector** - Designed to protect luminaire from electrical surge (20kA).

**Power Cord** - Pre-installed at factory. Please specify power cord length in accordance to height of the pole. Add 2 feet to power cord length or if Single Arm Mount (1A) or Double Mount (2).

**Exterior Luminaire Finish** - Selux utilizes a high quality Polyester Powder Coating. All Selux luminaires and poles are finished in our Tiger Drylac certified facility and undergo a five stage intensive pretreatment process where product is thoroughly cleaned, phosphated and sealed. Selux powder coated products provide excellent salt and humidity resistance as well as ultraviolet resistance for color retention. All products are tested in accordance with test specifications for coatings from ASTM and PCI.

Standard exterior colors are White (WH), Black (BK), Semi-Matte Black (BL), Bronze (BZ), and Silver (SV). Selux premium colors (SP) are available, please specify from your Selux color selection guide.

### 5 Year Limited LED Luminaire Warranty -

Selux offers a 5 Year Limited Warranty to the original purchaser that the Saturn Cutoff 2 LED luminaire shall be free from defects in material and workmanship for up to five (5) years from date of shipment. This limited warranty covers the LED driver and LED array when installed and operated according to Selux instructions. For details, see "Selux Terms and Condition of Sale."

**Listings and Ratings:** Luminaire and LED tested to IP65 and IESNA LM-79-08 standards. LED tested to LM-80 standards. Luminaire and LED tested at 25°C ambient temperature.

**Luminaire suitable for ambient temperature of 45°C. Minimum operating temperature of luminaire at -40°C (-40°F).**

**NRTL Listed (i.e. UL, CSA).**

**Visit [selux.us](http://selux.us) for our LED End of Life recycling policy.**

**For Buy American compliance on poles, please consult the factory.**

**Mounting**

**Single (1)**

Die cast aluminum fitter base secured to pole with three stainless steel Allen head set screws.

EPA = 0.8ft<sup>2</sup> (0.08m<sup>2</sup>)  
Weight = 39lbs. (17.7kg)

**Single Arm Mount (1A)**

Die cast aluminum single luminaire mounting arm secured to pole with four stainless steel Allen head set screws. Outer slip fitter for Ø3½" tenon.

EPA = 1.3ft<sup>2</sup> (0.12m<sup>2</sup>)  
Weight = 53lbs. (24.0kg)

**Double (2)**

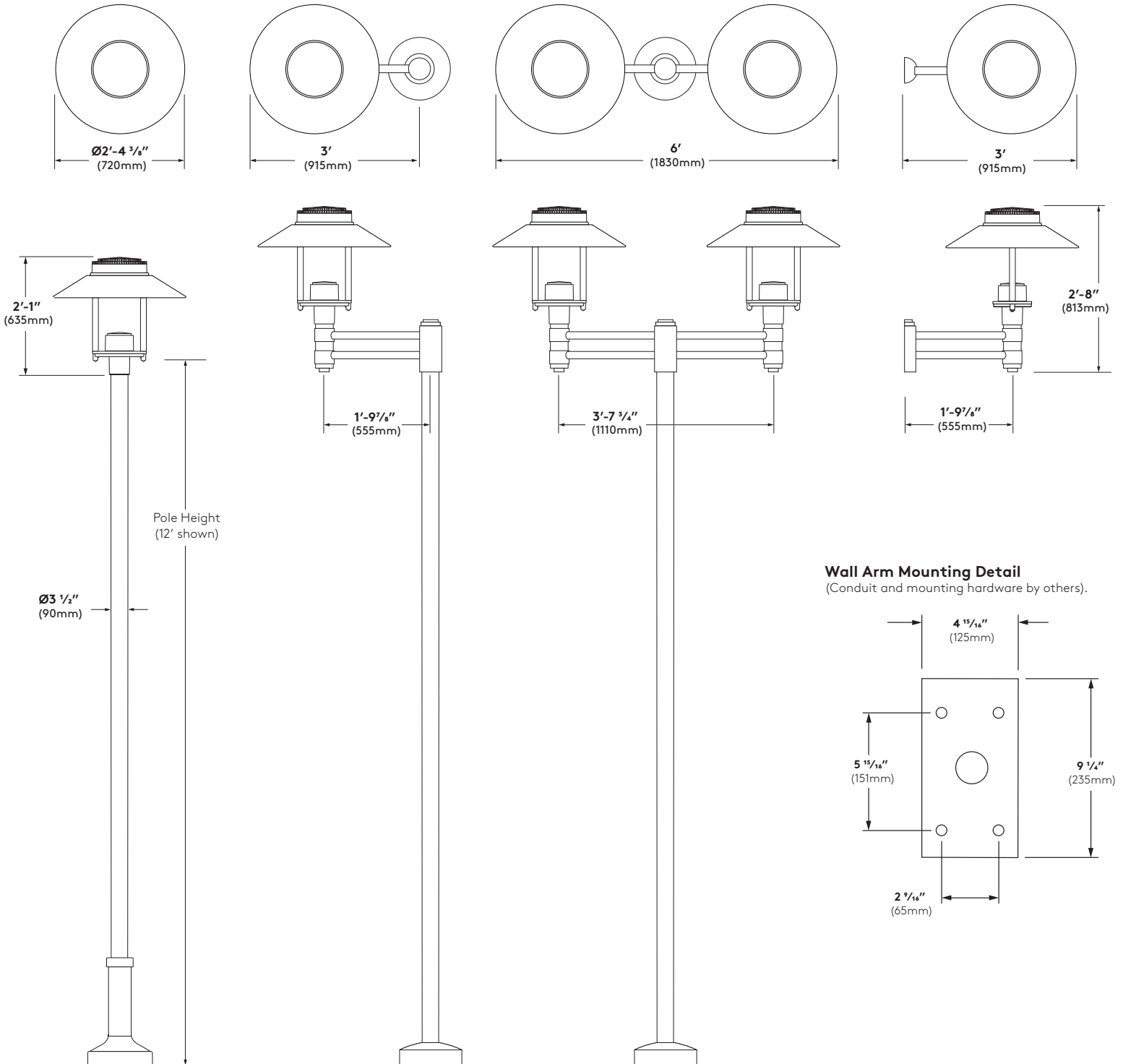
Die cast aluminum double luminaire mounting arm secured to pole with four stainless steel Allen head set screws. Outer slip fitter for Ø3½" tenon.

EPA = 2.4ft<sup>2</sup> (0.22m<sup>2</sup>)  
Weight = 100lbs. (79.8kg)

**Wall (W)**

Die cast aluminum double round wall mount arm. Secured to wall with ¼" diameter threaded fasteners (by others).

EPA = 1.2ft<sup>2</sup> (0.11m<sup>2</sup>)  
Weight = 50lbs. (22.7kg)

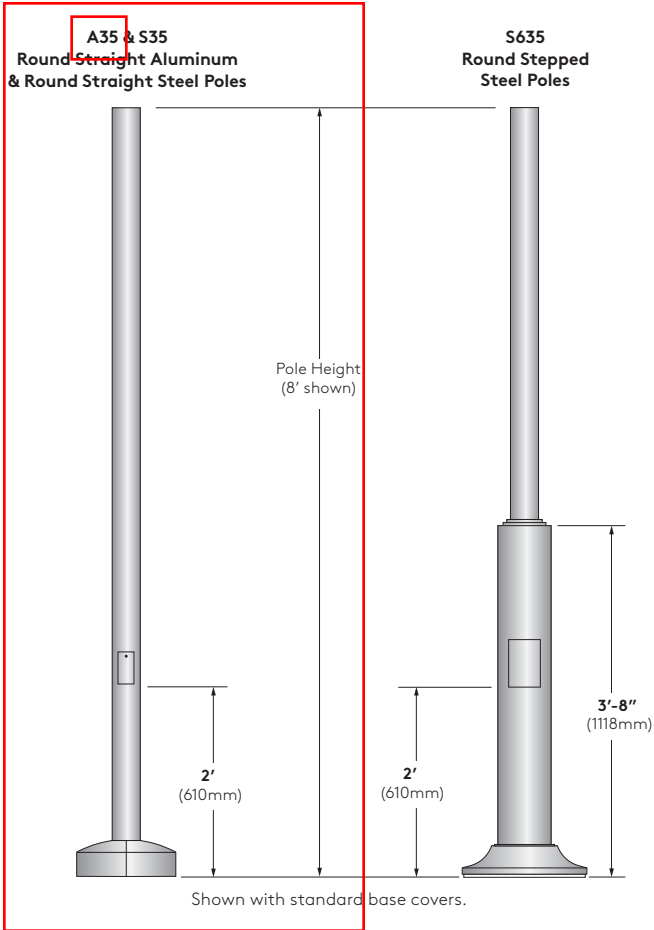


**Pole Information**

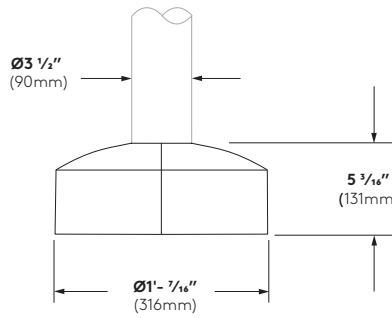
Refer to pole specification sheets for construction details, anchorage information and additional options.

**Base Cover Information**

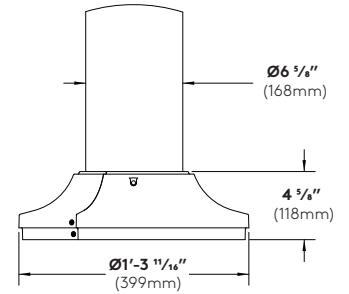
Refer to pole specification sheets for construction details, anchorage information and additional options.



**Standard Base Cover (BC5)**  
Supplied with A35 and S35  
Two-piece cast aluminum

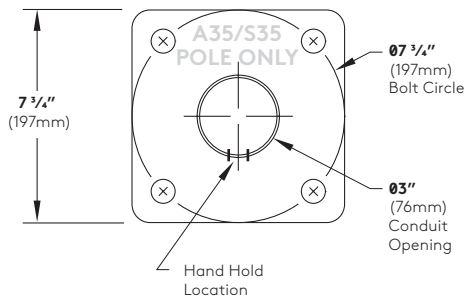


**Standard Base Cover (BC6)**  
Supplied with S635  
Two-piece cast aluminum



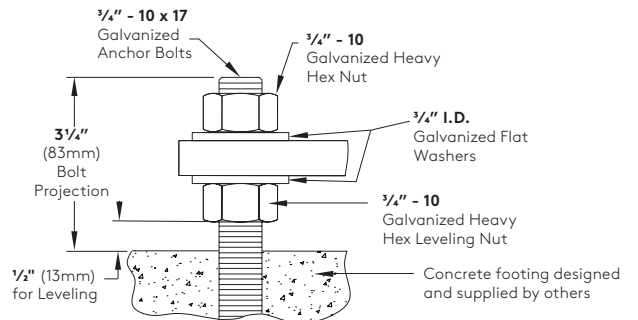
**Bolt Circle for A35 & S35**

Use caution when setting anchor bolts. Bolts must be vertically straight and centered on dimensions shown



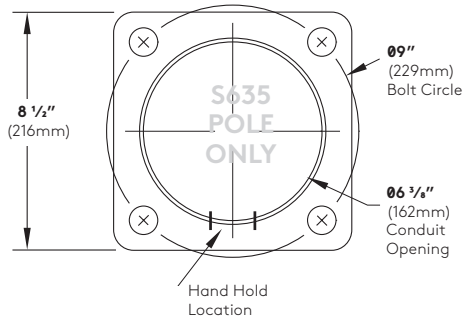
**Note:** Adequate drainage must be provided in concrete foundation.

**Anchor Bolt Detail for A35 & S35**

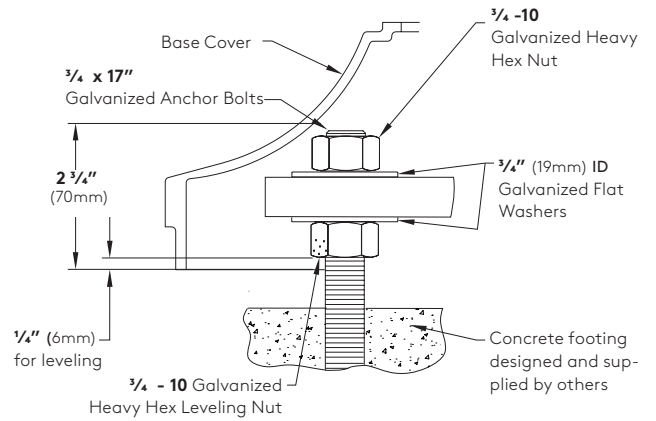


**Bolt Circle for S635**

Use caution when setting anchor bolts. Bolts must be vertically straight and centered on dimensions shown.



**Anchor Bolt Detail for S635**



Note: Adequate drainage must be provided in concrete foundation.

**Pole Data Chart**

Pole Series	Bolt Circle (in)	Wall (in)	Maximum EPA Rating (ft²) / Wind Speed (mph)											Height	Finish	Options
			85	90	100	110	120	130	140	150	160	170	180			
A35 3 1/2" Round Straight Aluminum Pole	7 3/4	0.197	8.7	7.7	6.0	4.8	3.9	3.1	2.6	2.2	1.9	1.7	1.5	8ft 8ft	WH White BK Black BL Semi-Matte Black BZ Bronze SV Silver	BC3 Decorative Cast Aluminum Base Cover (AT535) BC5 Decorative Cast Aluminum Base Cover (A35 and S35) BC6 Decorative Cast Aluminum Base Cover (S635) REC* GFCI Duplex Receptacle with weatherproof cover. REC2* GFCI Duplex Receptacle with padlockable in-use cover. REC3* USB and Duplex Receptacle with weatherproof cover. REC4* USB and Duplex Receptacle with padlockable in-use cover. MS Motion Sensor with optional Photocell (Meets Title 24 Requirements).
S35 3 1/2" Round Straight Steel Pole	7 3/4	0.125	13.1	11.5	9.2	7.4	6.0	5.0	4.2	3.6	3.2	2.8	2.4			
S635 6" to 3 1/2" Round Straight Stepped Steel Pole	9	0.125	34.4	30.6	24.6	20.2	16.8	14.2	12.2	10.5	9.2	8.1	7.2			
A35 3 1/2" Round Straight Aluminum Pole	7 3/4	0.197	6.9	6.0	4.6	3.6	2.8	2.2	1.8	1.5	1.2	1.0	0.9	10 10ft	SP Specify Pre-mium Color	
S35 3 1/2" Round Straight Steel Pole	7 3/4	0.125	10.5	9.2	7.2	5.7	4.6	3.7	3.1	2.6	2.3	2.0	1.7			
S635 6" to 3 1/2" Round Straight Stepped Steel Pole	9	0.125	28.5	23.5	20.2	16.5	13.7	11.5	9.8	8.5	7.4	6.5	5.7			
A35 3 1/2" Round Straight Aluminum Pole	7 3/4	0.197	5.4	4.7	3.5	2.6	1.9	1.4	1.1	0.8	0.7	-	-	12 12ft		
S35 3 1/2" Round Straight Steel Pole	7 3/4	0.125	8.6	7.5	5.7	4.4	3.5	2.7	2.2	1.9	1.6	1.3	1.1			
S635 6" to 3 1/2" Round Straight Stepped Steel Pole	9	0.125	23.6	21.0	16.9	13.7	11.3	9.4	8.0	6.9	6.0	5.2	4.6			
A35 3 1/2" Round Straight Aluminum Pole	7 3/4	0.197	3.8	3.2	2.2	1.5	0.9	-	-	-	-	-	-	14 14ft		
S35 3 1/2" Round Straight Steel Pole	7 3/4	0.125	6.3	5.4	4.0	3.0	2.2	1.6	1.2	1.0	0.8	0.6	-			
S635 6" to 3 1/2" Round Straight Stepped Steel Pole	9	0.125	18.2	16.2	13.1	10.5	8.6	7.0	5.9	5.0	4.4	3.8	3.3			
A35 3 1/2" Round Straight Aluminum Pole	7 3/4	0.197	2.7	2.2	1.3	0.7	-	-	-	-	-	-	-	16 16ft		
S35 3 1/2" Round Straight Steel Pole	7 3/4	0.125	5.1	4.3	3.1	2.1	1.4	0.9	0.6	-	-	-	-			
S635 6" to 3 1/2" Round Straight Stepped Steel Pole	9	0.125	15.6	13.9	11.2	8.9	7.1	5.7	4.8	4.0	3.5	3.0	2.6			
A35 3 1/2" Round Straight Aluminum Pole	7 3/4	0.125	4.2	3.4	2.2	1.4	0.8	-	-	-	-	-	-	18 16ft		
S35 3 1/2" Round Straight Steel Pole	7 3/4	0.125	4.2	3.4	2.2	1.4	0.8	-	-	-	-	-	-			
S635 6" to 3 1/2" Round Straight Stepped Steel Pole	9	0.125	15.6	13.9	11.2	8.9	7.1	5.7	4.8	4.0	3.5	3.0	2.6			
AT535 5" to 3 1/2" Round tapered Aluminum Pole	8 5/8	0.188	8.9	7.6	5.7	4.3	3.3	2.6	2.1	1.7	1.4	1.2	1.0	20 20ft		
S635 6" to 3 1/2" Round Straight Stepped Steel Pole	9	0.125	13.7	12.2	9.5	7.5	5.9	4.6	3.8	3.2	2.7	2.3	2.0			
AT535 5" to 3 1/2" Round tapered Aluminum Pole	8 5/8	0.188	7.3	6.2	4.4	3.2	2.3	1.7	1.4	1.1	0.9	-	-			
S635 6" to 3 1/2" Round Straight Stepped Steel Pole	9	0.125	12.1	10.8	8.2	6.3	4.8	3.7	2.9	2.4	2.0	1.7	1.4			

**Notes:**  
 1. Maximum EPA ratings certified in accordance with AASHTO 2013 (LTS-6-13) for 3-s gust wind speeds based on Allowable Stress Design (ASD) analysis  
 2. Consult factory for equivalent Load and Resistance Factor Design (LRFD) wind speeds  
 3. Rated performance is dependant upon the pole being properly attached to a supporting foundation of adequate design  
 \*The EPA capacity of a S35 pole is reduced with receptacle option. Consult factory for S35 EPA capacity with receptacle.

**Round Pole Motion Sensor**

The Selux outdoor rated sensor incorporates Passive Infrared (PIR) Technology for motion sensing and also includes built-in photocell. Sensor comes pre-installed in cast aluminum housing painted to match pole finish.

Series	Hand Hole Orientation	Dim Level	Photocell Feature	Voltage
<b>MS</b> Motion Sensor	<b>00</b> 0° Clockwise from Hand Hole	<b>D0</b> (Off)	Y Yes	<b>UNV</b> (100-347VAC single phase or 208/230/480VAC phase-to-phase)
	<b>09</b> 90° Clockwise from Hand Hole	<b>D1</b> (1V=10%)		
	<b>18</b> 180° Clockwise from Hand Hole	<b>D3</b> (3V=30%)	N No	
	<b>27</b> 270° Clockwise from Hand Hole	<b>D5</b> (5V=50%)		

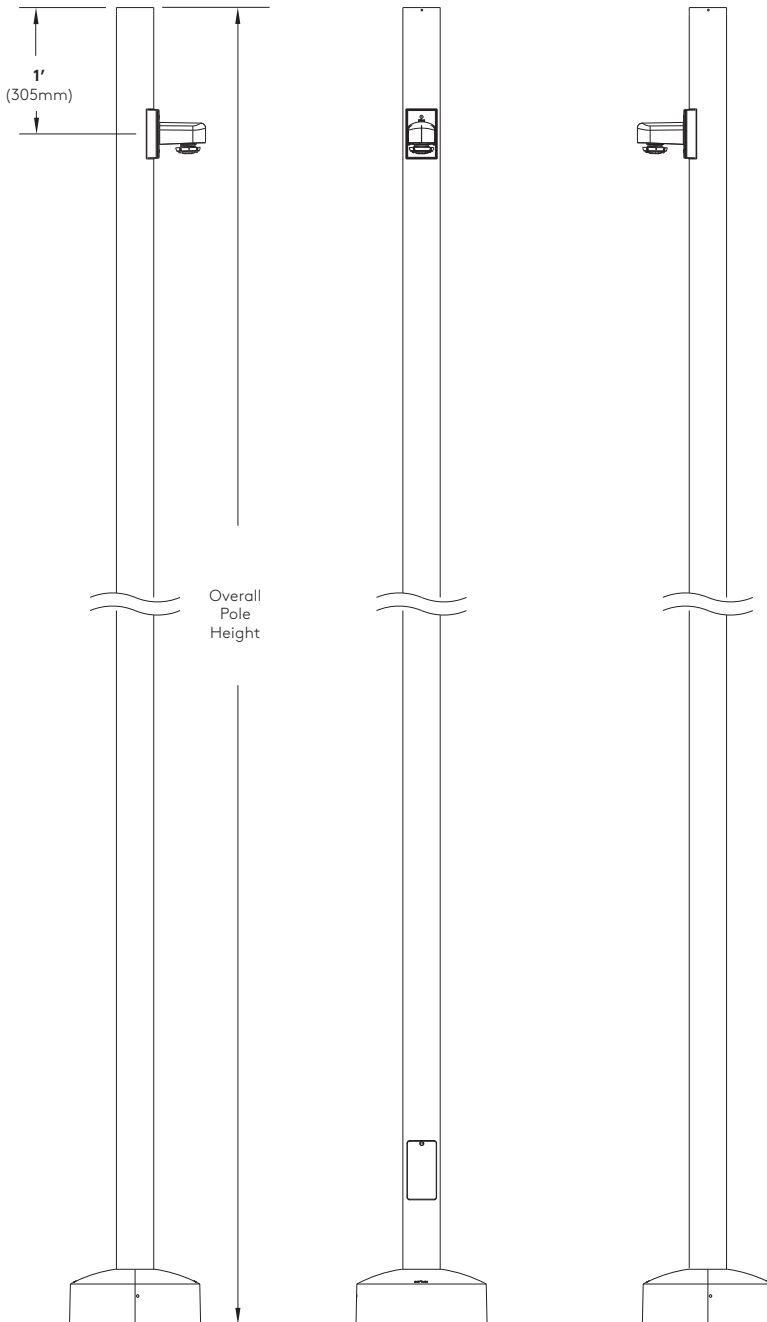
**Factory Defaults:**

Delay to Dim: 5 minutes

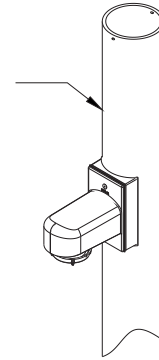
Delay to Off: 1 hour

Sensitivity: Max

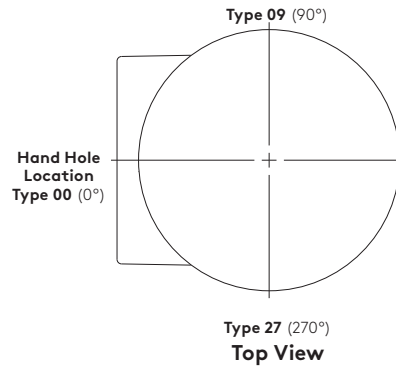
Custom Programming: Consult Factory



General Pole Drawing For Example Only.



Sensor angular orientation from hand hole 0°  
90° increments clockwise around pole (Type 00, 09, 18, 27)



**Motion Sensor Features**

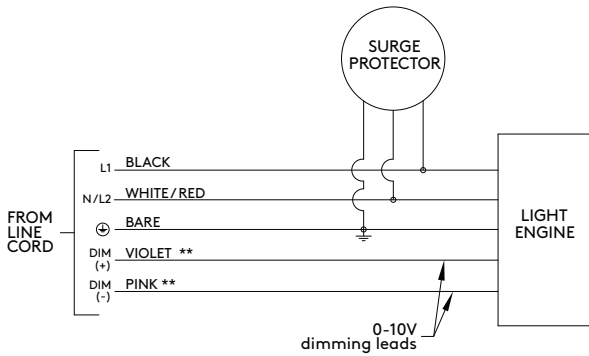
- Customize programming using smartphone application (Refer to the FSP-321 at [www.wattstopper.com](http://www.wattstopper.com)).
- 5 Year Warranty.
- 100% Digital PIR Detection, excellent RF Immunity.
- 270° coverage pattern.
- IP66 Rated for outdoor applications.
- Made for LED light source.
- Adjustable time delays, max/min dim levels, and ramp rates.
- Suitable for Title 24 applications.

(For coverage details refer to wattstopper FSP-321 spec sheet at [www.wattstopper.com](http://www.wattstopper.com)).

Wiring Diagrams

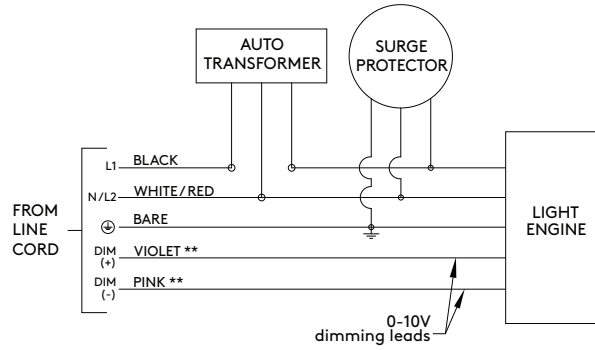
**Standard Wiring (120V-277V)**

\*\*When dimming is not required cap dimming wires.



**Standard Wiring (347/480V with Step-down Transformer)**

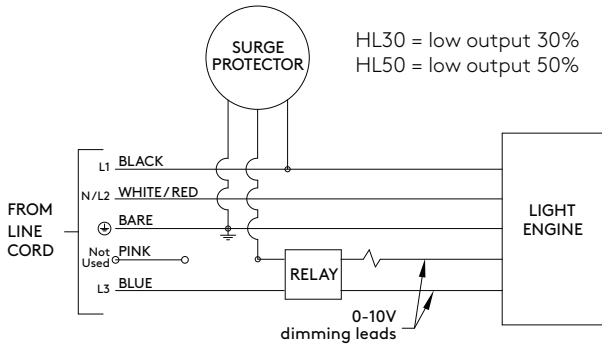
\*\*When dimming is not required cap dimming wires.



**Hi-Lo Switching Option (HL) Wiring HL30 & HL50 Only**

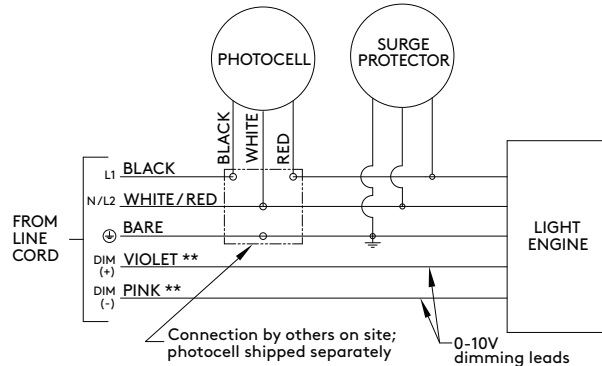
120V, 240V, 277V. When blue is energized, light output will be at "Lo" level. Specify low-level by using one of the 2 levels listed below ( i.e. HL30 or HL50). For other combinations, consult factory

HL30 = low output 30%  
HL50 = low output 50%



**Photocell Option (PCT) Wiring**

\*\*When dimming is not required cap dimming wires.

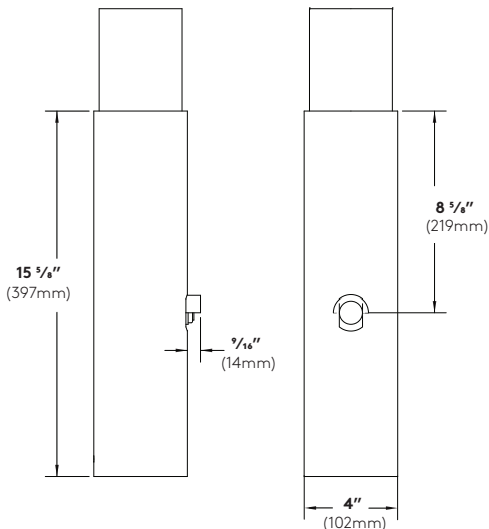
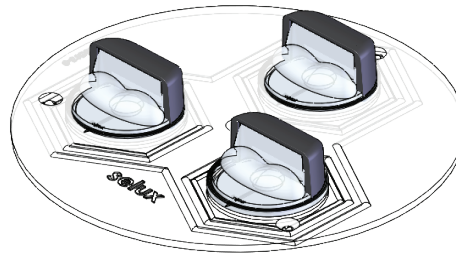


Wire Designation Table		
Source Voltage (VAC)	Wire Color	Wire Designation
120V, 277V, or 347V	Black	L1
	White	Neutral
208V, 240V, or 480V	Black	L1
	Red	L2
UNV (120V-277V)	Black	L1
	White	Neutral (120/277V) or L2 (208/240V)

**Optional Accessories**

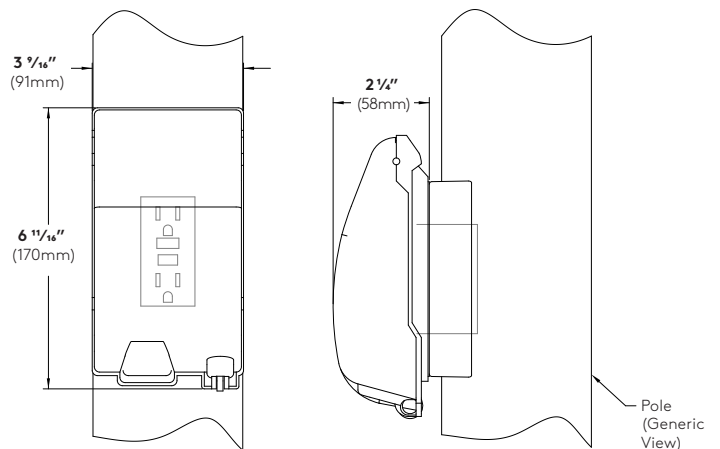
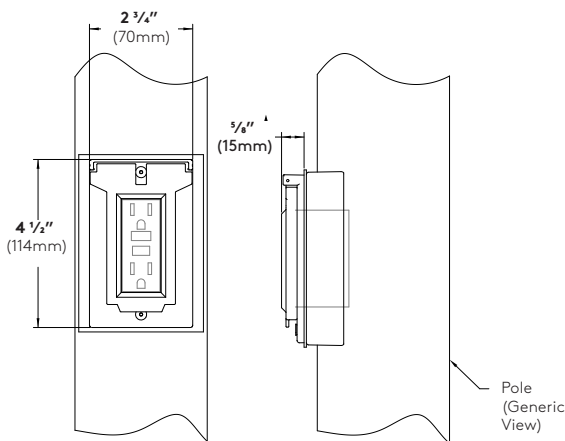
**Photo Cell Tenon (PCT)** - Button type photocell mounted in cast aluminum pole top tenon. Tenon has integral cast visor to prevent false start/stop cycle and can be oriented for optimum performance. Refer to luminaire spec sheet to determine if this option is applicable.

**House Side Shield (HS)** - 180° micro house side shield reduces light levels to <0.1 fc at approximately one mounting height behind luminaire.



**REC and REC3**

**REC2 and REC4**



Cover shown in the closed position

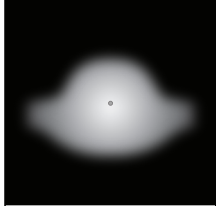
Cover shown in the closed position

**GFCI Duplex Receptacle (REC)** - 120V 15A GFCI duplex receptacle with weatherproof, self-closing cover; located 36" (914mm) o.c. from base of pole, in-line with hand hole. Receptacle is intended only for portable tools or other portable equipment to be connected to outlet only when attended by operating personnel (120V only).

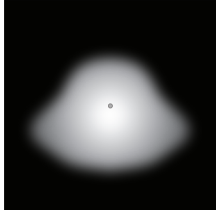
**GFCI Duplex Receptacle (REC2)** - 120V 15A GFCI duplex receptacle with weatherproof, self-closing, padlockable in-use cover; located 36" (914mm) o.c. from base of pole, in-line with hand hole. Receptacle is intended only for portable tools or other portable equipment to be connected to outlet only when attended by operating personnel (120V only).

**USB & GFCI Duplex Receptacle (REC3)** (not shown) - 120V 15A GFCI duplex receptacle with USB combination ports. (1) USB Type-A and (1) USB Type-C port share 2.0A charging capacity between both ports. Includes weatherproof, self-closing cover; located 36" (914mm) o.c. from base of pole, in-line with hand hole. Receptacle is intended only for portable tools or other portable equipment to be connected to outlet only when attended by operating personnel.

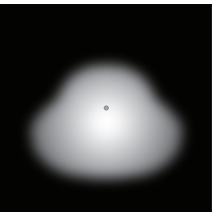
**USB & GFCI Duplex Receptacle (REC4)** (not shown) - 120V 15A GFCI duplex receptacle with USB combination ports. (1) USB Type-A and (1) USB Type-C port share 2.0A charging capacity between both ports. Includes weatherproof, self-closing padlockable in-use cover; located 36" (914mm) o.c. from base of pole, in-line with hand hole. Receptacle is intended only for portable tools or other portable equipment to be connected to outlet only when attended by operating personnel.

**R1 - Distribution Type I**

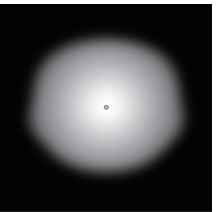
Light Engine	Lumens	CCT	Input Watts	lm/W	BUG Rating
5G450	4352	3000K	39	112	B1-U0-G1
5G700	6537	3000K	62	105	B2-U0-G2
5G105	9101	3000K	94	97	B2-U0-G1

**R2 - Distribution Type II**

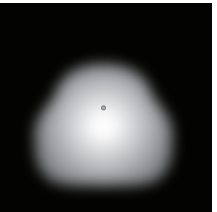
Light Engine	Lumens	CCT	Input Watts	lm/W	BUG Rating
5G450	4416	3000K	39	113	B1-U0-G1
5G700	6634	3000K	62	107	B2-U0-G1
5G105	9306	3000K	94	99	B2-U0-G2

**R3 - Distribution Type III**

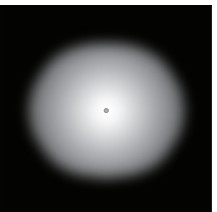
Light Engine	Lumens	CCT	Input Watts	lm/W	BUG Rating
5G450	4414	3000K	39	113	B1-U0-G1
5G700	6634	3000K	62	107	B2-U0-G1
5G105	9306	3000K	94	99	B2-U0-G2

**R3W - Distribution Type III**

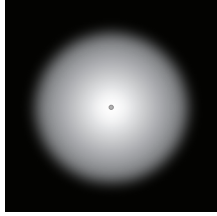
Light Engine	Lumens	CCT	Input Watts	lm/W	BUG Rating
5G450	4479	3000K	39	115	B2-U0-G1
5G700	6758	3000K	62	109	B2-U0-G2
5G105	9494	3000K	94	101	B3-U0-G2

**R4 - Distribution Type IV**

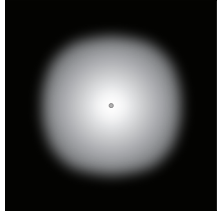
Light Engine	Lumens	CCT	Input Watts	lm/W	BUG Rating
5G450	4423	3000K	39	113	B1-U1-G1
5G700	6634	3000K	62	107	B2-U1-G1
5G105	9306	3000K	94	99	B2-U1-G2

**R5Q - Distribution Type V**

Light Engine	Lumens	CCT	Input Watts	lm/W	BUG Rating
5G450	4475	3000K	39	115	B2-U0-G2
5G700	6758	3000K	62	109	B2-U0-G2
5G105	9494	3000K	94	101	B3-U0-G3



R5R - Distribution Type V					
Light Engine	Lumens	CCT	Input Watts	lm/W	BUG Rating
5G450	4548	3000K	39	117	B2-U0-G2
5G700	6820	3000K	62	110	B3-U0-G3
5G105	9588	3000K	94	102	B3-U0-G3



R5S - Distribution Type V					
Light Engine	Lumens	CCT	Input Watts	lm/W	BUG Rating
5G450	4517	3000K	39	116	B2-U0-G2
5G700	6820	3000K	62	110	B3-U0-G3
5G105	9588	3000K	94	102	B3-U0-G3

TM-21 Lifetime Calculation						
Light Engine	Ambient Temp (°C)	Lumen Maintenance (% at hours)				Reported L <sub>70</sub>
		25k <sup>1</sup>	50k <sup>1</sup>	75k <sup>2</sup>	100k <sup>2</sup>	
5G450	25°C	99.8%	99.8%	99.8%	99.8%	L <sub>70</sub> (12k) > 70,000 hours
	40°C	99.8%	99.8%	99.8%	99.8%	L <sub>70</sub> (12k) > 70,000 hours
5G700	25°C	99.8%	99.8%	99.8%	99.8%	L <sub>70</sub> (12k) > 70,000 hours
	40°C	99.8%	99.8%	99.8%	99.8%	L <sub>70</sub> (12k) > 70,000 hours
5G105	25°C	99.8%	99.8%	99.8%	99.8%	L <sub>70</sub> (12k) > 70,000 hours
	40°C	99.8%	99.8%	99.8%	99.8%	L <sub>70</sub> (12k) > 70,000 hours

<sup>1</sup> Calculated in accordance with IESNA TM-21-11, projected values are within six times (6x) the IESNA LM-80-08 test duration

<sup>2</sup> Thermal measurements based on Order Code: LRC-10-AS-D12-30-BL-480-CF

Date: \_\_\_\_\_ Customer: \_\_\_\_\_  
 Project: \_\_\_\_\_  
 Type: \_\_\_\_\_ Qty: \_\_\_\_\_

**selux**

**WAKE ROBIN INN  
 104-106 SHARON ROAD  
 SALISBURY, CT  
 SA2**

**Saturn Cutoff 2 LED**



**Order Code:** SAC2L - R2 - 1 - 5G450 - 27 - 12 - FIN - VOLT - \_\_\_\_\_

**Pole Order Code:** A35 - 12 - FIN - VOLT-BC5

SAC2L	Series	SAC2L Saturn Cutoff 2 LED							
	Optics	R1 Type I	R2 Type II	R3 Type III	R3W Type III (Wide)	R4 Type IV	R5R Type V (Round)	R5S Type V (Square)	R5Q Type V (Rectangular)
	Mounting	1 Single	1A Single Arm Mount	2 Double	W Wall Mount				
	Light Engine	5G450 39W/4352lm	5G700 62W/6537lm	5G105 94W/9101lm					
	CCT	27 <sup>1</sup> 2700K	30 <sup>1</sup> 3000K	40 4000K					
	Power Cord Length	08 8'	10 10'	12 12'	14 14'	16 16'	18 18'	XX <sup>2</sup> XX	
	Finish	WH White	BK Black	BL Semi-Matte Black	BZ Bronze	SV Silver	SP Specify Premium Color		
	Voltage	120 120V	240 240V	277 277V	347 <sup>3</sup> 347V	480 <sup>3</sup> 480V			
	Options	DM <sup>5</sup> Dimming (0-10V)	HS <sup>4</sup> House Side Shield (180°)	HL30 <sup>5,6</sup> Hi-Lo Switching Low Output 30%	HL50 <sup>5,6</sup> Hi-Lo Switching Low Output 50%	PCT <sup>7</sup> Photocell Tenon	MS <sup>5,7</sup> Pole Motion Sensor with Optional Photocell (See pagr 3 for order code)		

<sup>1</sup>Based on R1 distribution in 3000K CCT.

**DarkSky approved.**  
<sup>1</sup>For other CCTs please consult factory.

<sup>2</sup>For 1 mounting use the pole height. For 1A or 2 mounting use the pole height +2.  
<sup>2</sup>Specify number of feet in whole foot increments.

<sup>3</sup>Equipped with step-down transformer.

<sup>4</sup>Type I, II, III, and IV only.  
<sup>5</sup>DM, HLXX, or MS only. Cannot be combined.  
<sup>6</sup>120V, 240V, or 277V only.  
<sup>7</sup>PCT or MS only. Cannot be combined.

**Product Modifications**

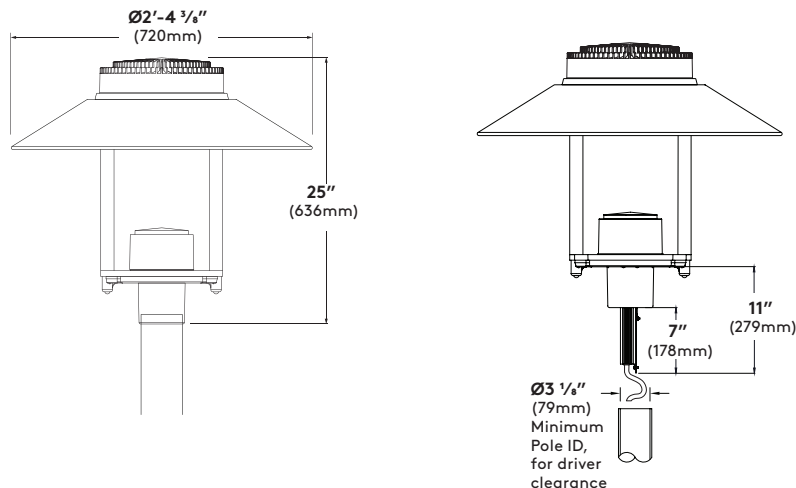
Please list modification requirements for review by factory:

**Approvals**

Date: \_\_\_\_\_



## SAC2L-1-XX-DS



### Specifications

**Luminaire Cover** - Die cast aluminum cover made from low copper alloy, designed to ensure optimal thermal management for extra long lifetime of LED light engine.

**Gasketing** - Continuous gasket provides weatherproofing, dust, and insect control at all fixture connections.

**Luminaire Hood** - Aluminum shade with white painted interior.

**LED Array** - High flux LEDs mounted to PC boards and attached to aluminum heat sink for maximum LED performance and life. CCT tolerance ¼ step binning for 3000K and 4000K. CRI minimum 80. Complete light engine can be removed easily for future upgrade. LED light engine provides a reported lumen maintenance of 93% at 50,000 hours. L70 calculated greater than 100,000 hours.

**LED Optics** - Technical Optics (R1, R2, R3, R3W, R4, R5S, R5Q, and R5R) use Selux signature Gen5 light pattern acrylic lens holder to secure proprietary silicone optics. Micro house side shield available for distributions types I, II, III, and IV.

**LED Driver** - LEDs are driven by RoHS compliant constant current programmable LED driver. Driver includes 0-10V dimming to 10%, meets the requirements of IP66. Driver assembly located inside the head.

**Hood Supports** - Two aluminum arms support shade and optic assembly and attach to the die cast aluminum pole fitter.

**Pole Fitter** - Self-leveling, die cast low-copper aluminum alloy, fitter base secured to pole with three stainless steel Allen head set screws. Fitter for 3 ½" (90mm) O.D. poles.

**Driver cover** - Die cast aluminum cover made from low copper alloy, removes for toolless access to driver. Driver secured to removable tray for ease of maintenance.

**Surge Protector** - Designed to protect luminaire from electrical surge (20kA).

**Power Cord** - Pre-installed at factory. Please specify power cord length in accordance to height of the pole. Add 2 feet to power cord length or if Single Arm Mount (1A) or Double Mount (2).

**Exterior Luminaire Finish** - Selux utilizes a high quality Polyester Powder Coating. All Selux luminaires and poles are finished in our Tiger Drylac certified facility and undergo a five stage intensive pretreatment process where product is thoroughly cleaned, phosphated and sealed. Selux powder coated products provide excellent salt and humidity resistance as well as ultraviolet resistance for color retention. All products are tested in accordance with test specifications for coatings from ASTM and PCI.

Standard exterior colors are White (WH), Black (BK), Semi-Matte Black (BL), Bronze (BZ), and Silver (SV). Selux premium colors (SP) are available, please specify from your Selux color selection guide.

### 5 Year Limited LED Luminaire Warranty -

Selux offers a 5 Year Limited Warranty to the original purchaser that the Saturn Cutoff 2 LED luminaire shall be free from defects in material and workmanship for up to five (5) years from date of shipment. This limited warranty covers the LED driver and LED array when installed and operated according to Selux instructions. For details, see "Selux Terms and Condition of Sale."

**Listings and Ratings:** Luminaire and LED tested to IP65 and IESNA LM-79-08 standards. LED tested to LM-80 standards. Luminaire and LED tested at 25°C ambient temperature.

**Luminaire suitable for ambient temperature of 45°C. Minimum operating temperature of luminaire at -40°C (-40°F).**

**NRTL Listed (i.e. UL, CSA).**

**Visit [selux.us](http://selux.us) for our LED End of Life recycling policy.**

**For Buy American compliance on poles, please consult the factory.**

Mounting

Single (1)

Die cast aluminum fitter base secured to pole with three stainless steel Allen head set screws.

EPA = 0.8ft<sup>2</sup> (0.08m<sup>2</sup>)  
Weight = 39lbs. (17.7kg)

Single Arm Mount (1A)

Die cast aluminum single luminaire mounting arm secured to pole with four stainless steel Allen head set screws. Outer slip fitter for Ø3½" tenon.

EPA = 1.3ft<sup>2</sup> (0.12m<sup>2</sup>)  
Weight = 53lbs. (24.0kg)

Double (2)

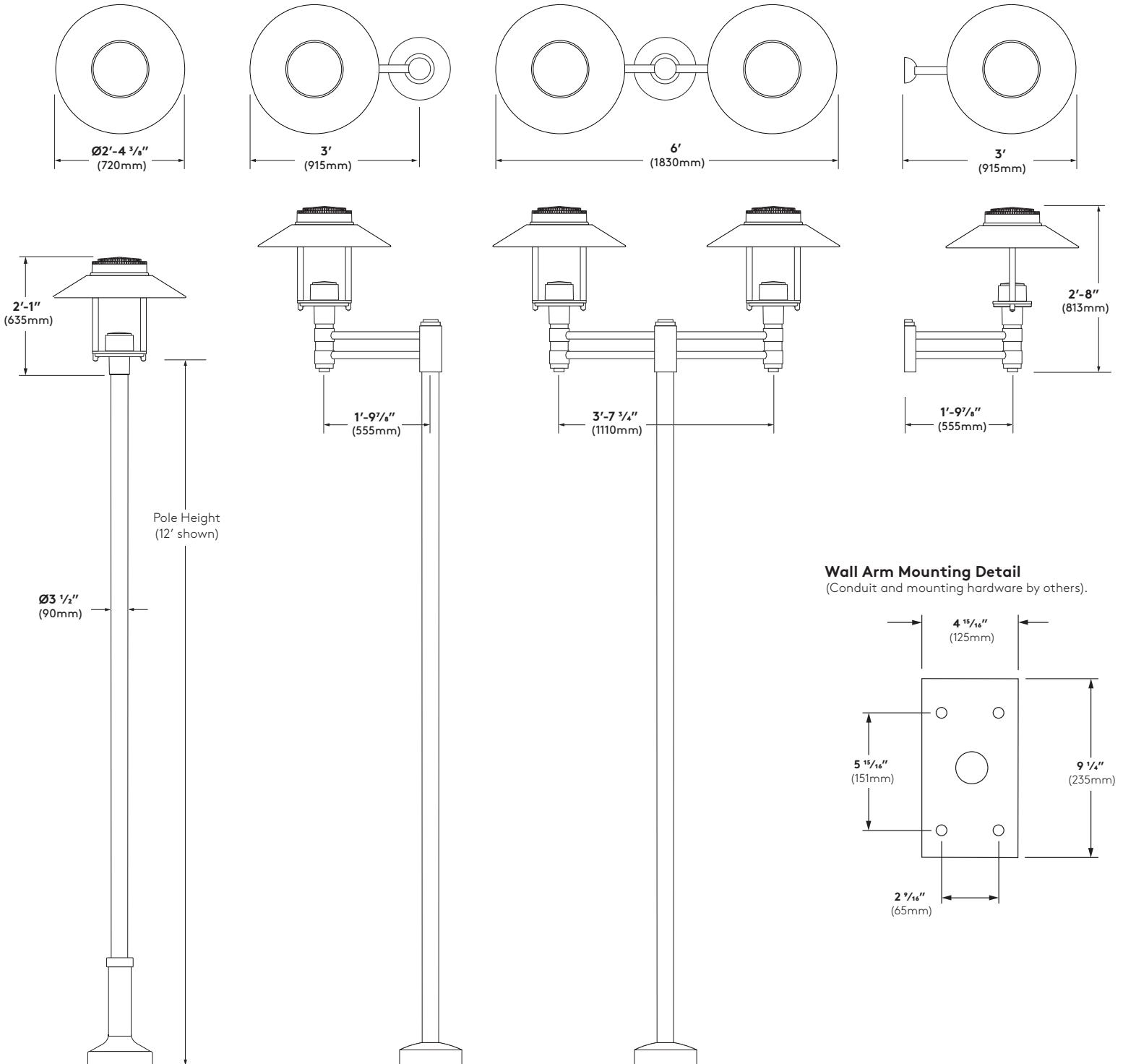
Die cast aluminum double luminaire mounting arm secured to pole with four stainless steel Allen head set screws. Outer slip fitter for Ø3½" tenon.

EPA = 2.4ft<sup>2</sup> (0.22m<sup>2</sup>)  
Weight = 100lbs. (79.8kg)

Wall (W)

Die cast aluminum double round wall mount arm. Secured to wall with ¼" diameter threaded fasteners (by others).

EPA = 1.2ft<sup>2</sup> (0.11m<sup>2</sup>)  
Weight = 50lbs. (22.7kg)

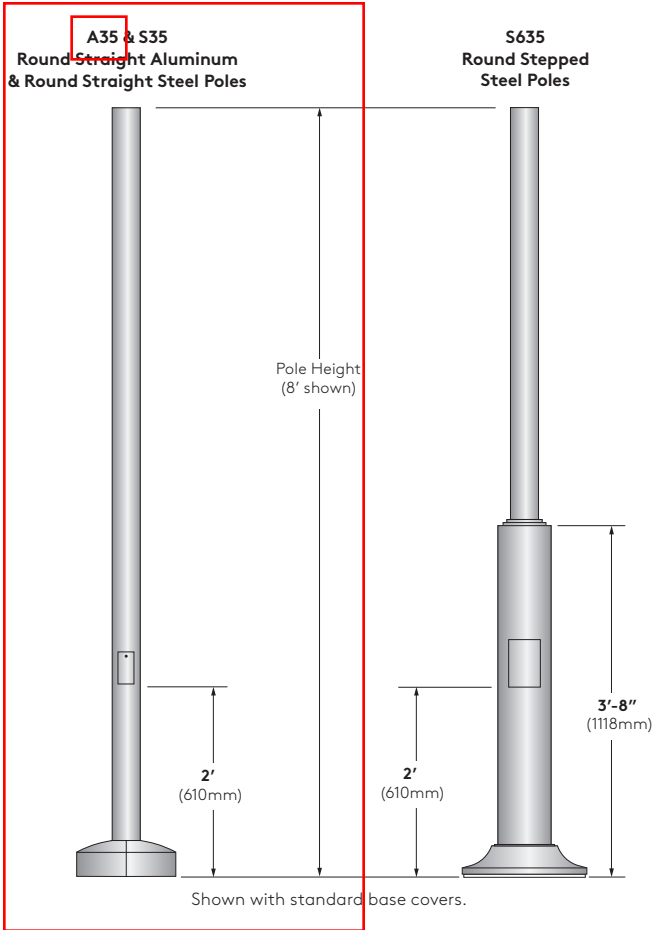


**Pole Information**

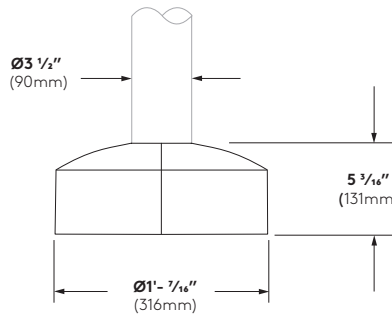
Refer to pole specification sheets for construction details, anchorage information and additional options.

**Base Cover Information**

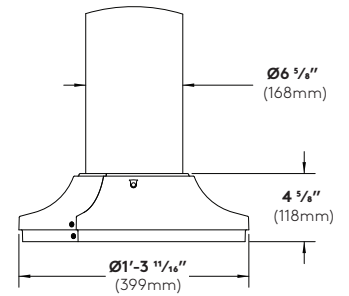
Refer to pole specification sheets for construction details, anchorage information and additional options.



**Standard Base Cover (BC5)**  
Supplied with A35 and S35  
Two-piece cast aluminum

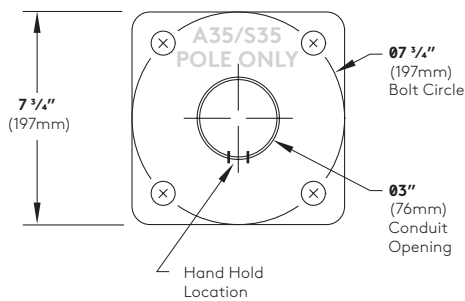


**Standard Base Cover (BC6)**  
Supplied with S635  
Two-piece cast aluminum



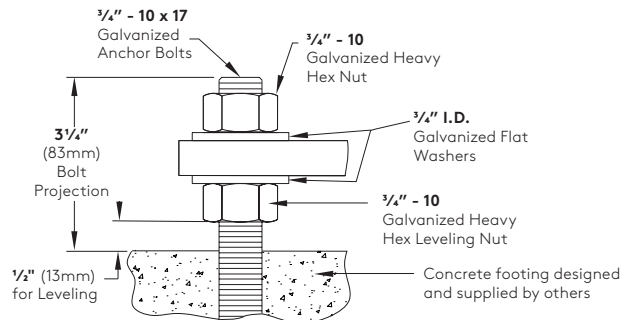
**Bolt Circle for A35 & S35**

Use caution when setting anchor bolts. Bolts must be vertically straight and centered on dimensions shown



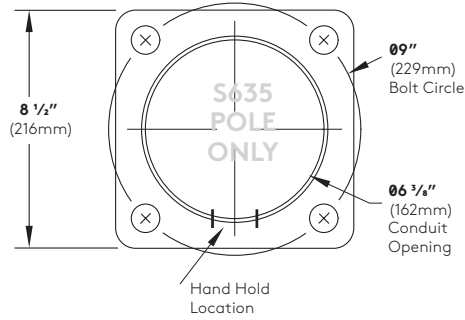
**Note:** Adequate drainage must be provided in concrete foundation.

**Anchor Bolt Detail for A35 & S35**

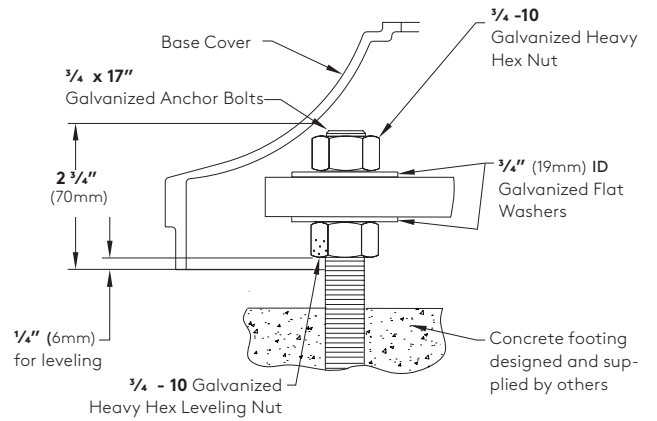


**Bolt Circle for S635**

Use caution when setting anchor bolts. Bolts must be vertically straight and centered on dimensions shown.



**Anchor Bolt Detail for S635**



**Note:** Adequate drainage must be provided in concrete foundation.

**Pole Data Chart**

Pole Series	Bolt Circle (in)	Wall (in)	Maximum EPA Rating (ft²) / Wind Speed (mph)											Height	Finish	Options
			85	90	100	110	120	130	140	150	160	170	180			
A35 3 1/2" Round Straight Aluminum Pole	7 3/4	0.197	8.7	7.7	6.0	4.8	3.9	3.1	2.6	2.2	1.9	1.7	1.5	8ft 8ft	WH White BK Black BL Semi-Matte Black BZ Bronze SV Silver	BC3 Decorative Cast Aluminum Base Cover (AT535) BC5 Decorative Cast Aluminum Base Cover (A35 and S35) BC6 Decorative Cast Aluminum Base Cover (S635) REC* GFCI Duplex Receptacle with weatherproof cover. REC2* GFCI Duplex Receptacle with padlockable in-use cover. REC3* USB and Duplex Receptacle with weatherproof cover. REC4* USB and Duplex Receptacle with padlockable in-use cover. MS Motion Sensor with optional Photocell (Meets Title 24 Requirements).
S35 3 1/2" Round Straight Steel Pole	7 3/4	0.125	13.1	11.5	9.2	7.4	6.0	5.0	4.2	3.6	3.2	2.8	2.4			
S635 6" to 3 1/2" Round Straight Stepped Steel Pole	9	0.125	34.4	30.6	24.6	20.2	16.8	14.2	12.2	10.5	9.2	8.1	7.2			
A35 3 1/2" Round Straight Aluminum Pole	7 3/4	0.197	6.9	6.0	4.6	3.6	2.8	2.2	1.8	1.5	1.2	1.0	0.9	10 10ft	SP Specify Pre-mium Color	
S35 3 1/2" Round Straight Steel Pole	7 3/4	0.125	10.5	9.2	7.2	5.7	4.6	3.7	3.1	2.6	2.3	2.0	1.7			
S635 6" to 3 1/2" Round Straight Stepped Steel Pole	9	0.125	28.5	23.5	20.2	16.5	13.7	11.5	9.8	8.5	7.4	6.5	5.7			
A35 3 1/2" Round Straight Aluminum Pole	7 3/4	0.197	5.4	4.7	3.5	2.6	1.9	1.4	1.1	0.8	0.7	-	-	12 12ft		
S35 3 1/2" Round Straight Steel Pole	7 3/4	0.125	8.6	7.5	5.7	4.4	3.5	2.7	2.2	1.9	1.6	1.3	1.1			
S635 6" to 3 1/2" Round Straight Stepped Steel Pole	9	0.125	23.6	21.0	16.9	13.7	11.3	9.4	8.0	6.9	6.0	5.2	4.6			
A35 3 1/2" Round Straight Aluminum Pole	7 3/4	0.197	3.8	3.2	2.2	1.5	0.9	-	-	-	-	-	-	14 14ft		
S35 3 1/2" Round Straight Steel Pole	7 3/4	0.125	6.3	5.4	4.0	3.0	2.2	1.6	1.2	1.0	0.8	0.6	-			
S635 6" to 3 1/2" Round Straight Stepped Steel Pole	9	0.125	18.2	16.2	13.1	10.5	8.6	7.0	5.9	5.0	4.4	3.8	3.3			
A35 3 1/2" Round Straight Aluminum Pole	7 3/4	0.197	2.7	2.2	1.3	0.7	-	-	-	-	-	-	-	16 16ft		
S35 3 1/2" Round Straight Steel Pole	7 3/4	0.125	5.1	4.3	3.1	2.1	1.4	0.9	0.6	-	-	-	-			
S635 6" to 3 1/2" Round Straight Stepped Steel Pole	9	0.125	15.6	13.9	11.2	8.9	7.1	5.7	4.8	4.0	3.5	3.0	2.6			
A35 3 1/2" Round Straight Aluminum Pole	7 3/4	0.125	4.2	3.4	2.2	1.4	0.8	-	-	-	-	-	-	18 16ft		
S35 3 1/2" Round Straight Steel Pole	7 3/4	0.125	4.2	3.4	2.2	1.4	0.8	-	-	-	-	-	-			
S635 6" to 3 1/2" Round Straight Stepped Steel Pole	9	0.125	15.6	13.9	11.2	8.9	7.1	5.7	4.8	4.0	3.5	3.0	2.6			
AT535 5" to 3 1/2" Round tapered Aluminum Pole	8 5/8	0.188	8.9	7.6	5.7	4.3	3.3	2.6	2.1	1.7	1.4	1.2	1.0	20 20ft		
S635 6" to 3 1/2" Round Straight Stepped Steel Pole	9	0.125	13.7	12.2	9.5	7.5	5.9	4.6	3.8	3.2	2.7	2.3	2.0			
AT535 5" to 3 1/2" Round tapered Aluminum Pole	8 5/8	0.188	7.3	6.2	4.4	3.2	2.3	1.7	1.4	1.1	0.9	-	-	20 20ft		
S635 6" to 3 1/2" Round Straight Stepped Steel Pole	9	0.125	12.1	10.8	8.2	6.3	4.8	3.7	2.9	2.4	2.0	1.7	1.4			

**Notes:**  
 1. Maximum EPA ratings certified in accordance with AASHTO 2013 (LTS-6-13) for 3-s gust wind speeds based on Allowable Stress Design (ASD) analysis  
 2. Consult factory for equivalent Load and Resistance Factor Design (LRFD) wind speeds  
 3. Rated performance is dependent upon the pole being properly attached to a supporting foundation of adequate design  
 \*The EPA capacity of a S35 pole is reduced with receptacle option. Consult factory for S35 EPA capacity with receptacle.

**Round Pole Motion Sensor**

The Selux outdoor rated sensor incorporates Passive Infrared (PIR) Technology for motion sensing and also includes built-in photocell. Sensor comes pre-installed in cast aluminum housing painted to match pole finish.

Series	Hand Hole Orientation	Dim Level	Photocell Feature	Voltage
<b>MS</b> Motion Sensor	<b>00</b> 0° Clockwise from Hand Hole	<b>D0</b> (Off)	<b>Y</b> Yes	<b>UNV</b> (100-347VAC single phase or 208/230/480VAC phase-to-phase)
	<b>09</b> 90° Clockwise from Hand Hole	<b>D1</b> (1V=10%)		
	<b>18</b> 180° Clockwise from Hand Hole	<b>D3</b> (3V=30%)	<b>N</b> No	
	<b>27</b> 270° Clockwise from Hand Hole	<b>D5</b> (5V=50%)		

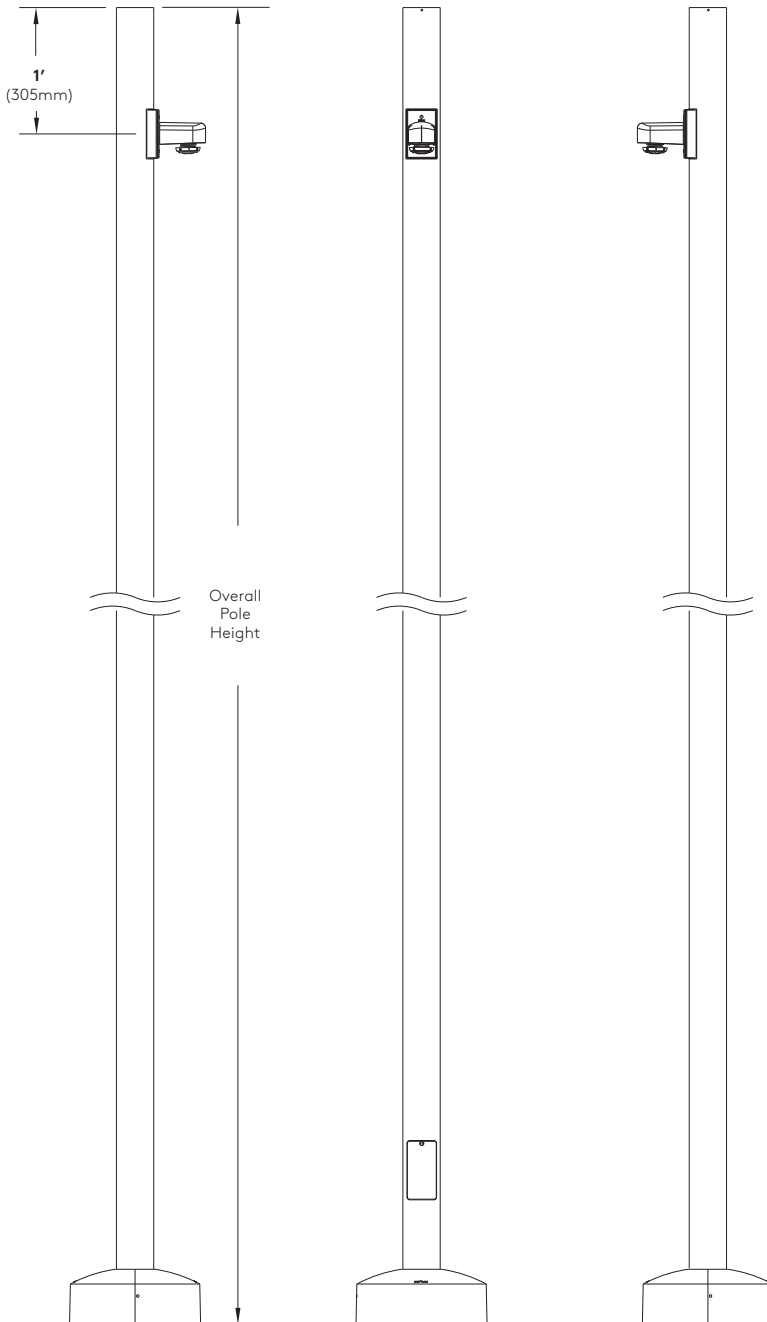
**Factory Defaults:**

Delay to Dim: 5 minutes

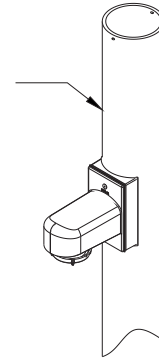
Delay to Off: 1 hour

Sensitivity: Max

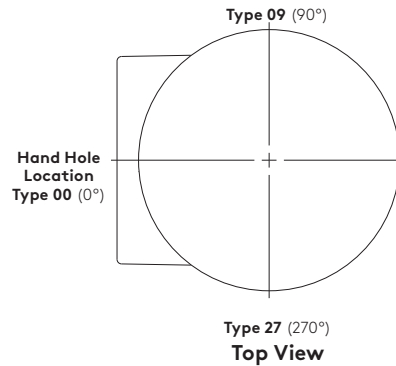
Custom Programming: Consult Factory



General Pole Drawing For Example Only.



Sensor angular orientation from hand hole 0°  
90° increments clockwise around pole (Type 00, 09, 18, 27)



**Motion Sensor Features**

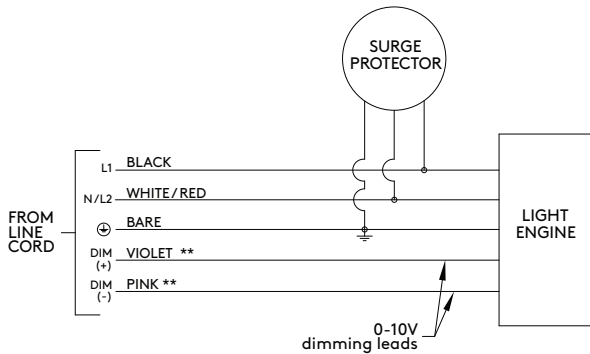
- Customize programming using smartphone application (Refer to the FSP-321 at [www.wattstopper.com](http://www.wattstopper.com)).
- 5 Year Warranty.
- 100% Digital PIR Detection, excellent RF Immunity.
- 270° coverage pattern.
- IP66 Rated for outdoor applications.
- Made for LED light source.
- Adjustable time delays, max/min dim levels, and ramp rates.
- Suitable for Title 24 applications.

(For coverage details refer to wattstopper FSP-321 spec sheet at [www.wattstopper.com](http://www.wattstopper.com)).

Wiring Diagrams

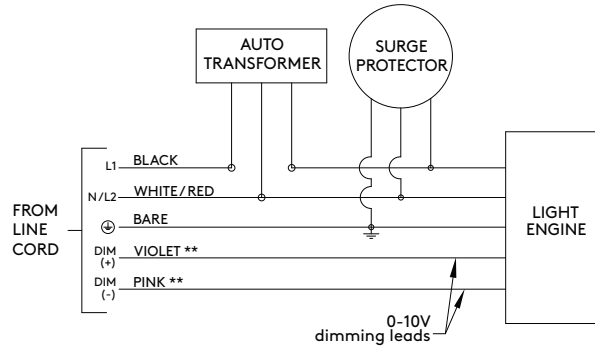
**Standard Wiring (120V-277V)**

\*\*When dimming is not required cap dimming wires.



**Standard Wiring (347/480V with Step-down Transformer)**

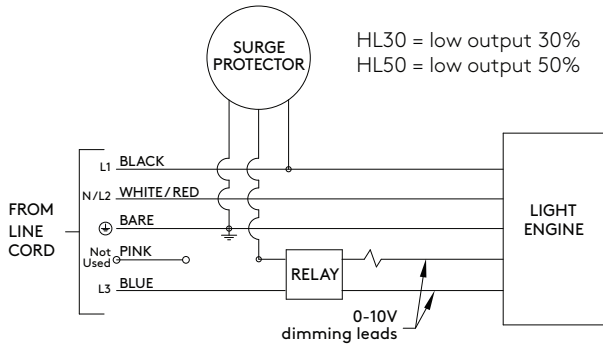
\*\*When dimming is not required cap dimming wires.



**Hi-Lo Switching Option (HL) Wiring HL30 & HL50 Only**

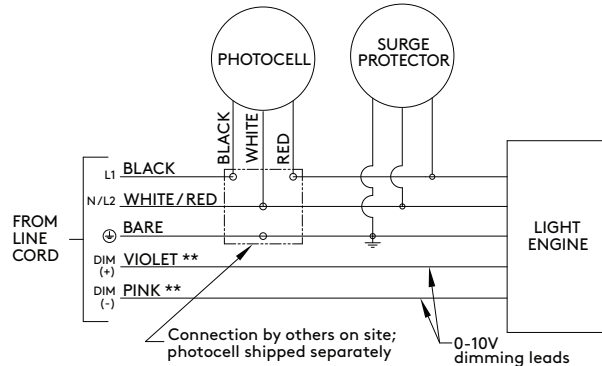
120V, 240V, 277V. When blue is energized, light output will be at "Lo" level. Specify low-level by using one of the 2 levels listed below ( i.e. HL30 or HL50). For other combinations, consult factory

HL30 = low output 30%  
HL50 = low output 50%



**Photocell Option (PCT) Wiring**

\*\*When dimming is not required cap dimming wires.

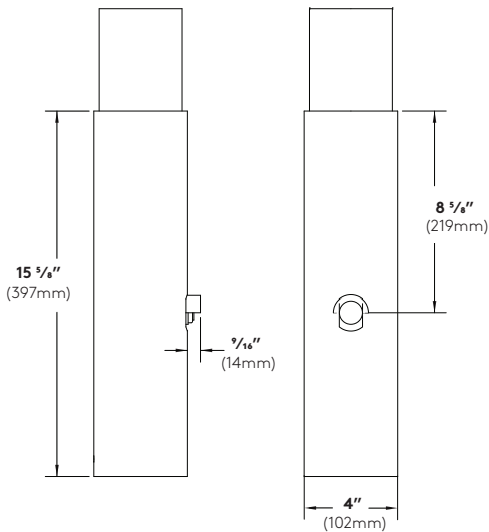
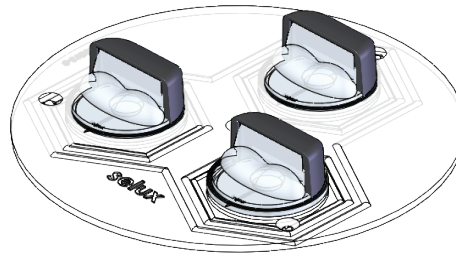


Wire Designation Table		
Source Voltage (VAC)	Wire Color	Wire Designation
120V, 277V, or 347V	Black	L1
	White	Neutral
208V, 240V, or 480V	Black	L1
	Red	L2
UNV (120V-277V)	Black	L1
	White	Neutral (120/277V) or L2 (208/240V)

**Optional Accessories**

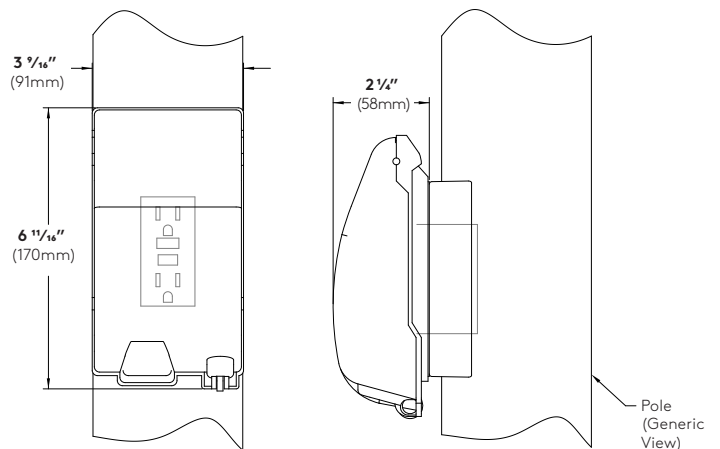
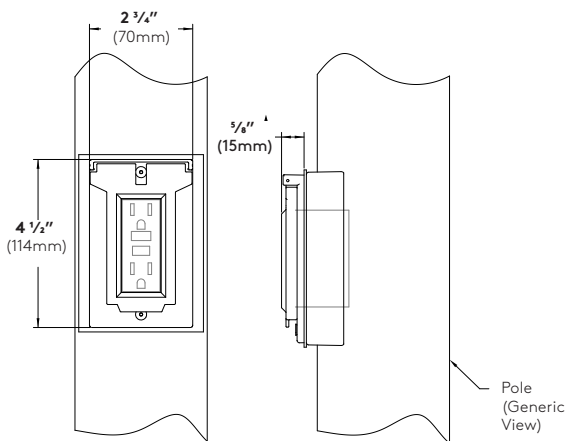
**Photo Cell Tenon (PCT)** - Button type photocell mounted in cast aluminum pole top tenon. Tenon has integral cast visor to prevent false start/stop cycle and can be oriented for optimum performance. Refer to luminaire spec sheet to determine if this option is applicable.

**House Side Shield (HS)** - 180° micro house side shield reduces light levels to <0.1 fc at approximately one mounting height behind luminaire.



**REC and REC3**

**REC2 and REC4**



Cover shown in the closed position

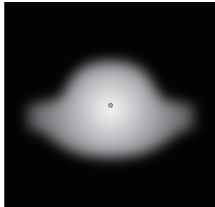
Cover shown in the closed position

**GFCI Duplex Receptacle (REC)** - 120V 15A GFCI duplex receptacle with weatherproof, self-closing cover; located 36" (914mm) o.c. from base of pole, in-line with hand hole. Receptacle is intended only for portable tools or other portable equipment to be connected to outlet only when attended by operating personnel (120V only).

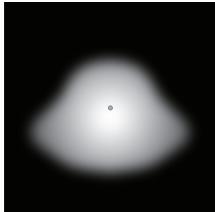
**GFCI Duplex Receptacle (REC2)** - 120V 15A GFCI duplex receptacle with weatherproof, self-closing, padlockable in-use cover; located 36" (914mm) o.c. from base of pole, in-line with hand hole. Receptacle is intended only for portable tools or other portable equipment to be connected to outlet only when attended by operating personnel (120V only).

**USB & GFCI Duplex Receptacle (REC3)** (not shown) - 120V 15A GFCI duplex receptacle with USB combination ports. (1) USB Type-A and (1) USB Type-C port share 2.0A charging capacity between both ports. Includes weatherproof, self-closing cover; located 36" (914mm) o.c. from base of pole, in-line with hand hole. Receptacle is intended only for portable tools or other portable equipment to be connected to outlet only when attended by operating personnel.

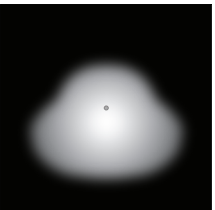
**USB & GFCI Duplex Receptacle (REC4)** (not shown) - 120V 15A GFCI duplex receptacle with USB combination ports. (1) USB Type-A and (1) USB Type-C port share 2.0A charging capacity between both ports. Includes weatherproof, self-closing padlockable in-use cover; located 36" (914mm) o.c. from base of pole, in-line with hand hole. Receptacle is intended only for portable tools or other portable equipment to be connected to outlet only when attended by operating personnel.



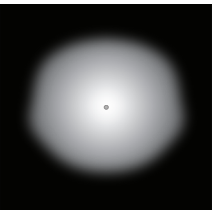
R1 - Distribution Type I					
Light Engine	Lumens	CCT	Input Watts	lm/W	BUG Rating
5G450	4352	3000K	39	112	B1-U0-G1
5G700	6537	3000K	62	105	B2-U0-G2
5G105	9101	3000K	94	97	B2-U0-G1



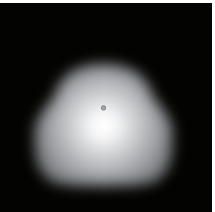
R2 - Distribution Type II					
Light Engine	Lumens	CCT	Input Watts	lm/W	BUG Rating
5G450	4416	3000K	39	113	B1-U0-G1
5G700	6634	3000K	62	107	B2-U0-G1
5G105	9306	3000K	94	99	B2-U0-G2



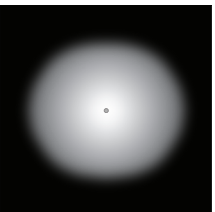
R3 - Distribution Type III					
Light Engine	Lumens	CCT	Input Watts	lm/W	BUG Rating
5G450	4414	3000K	39	113	B1-U0-G1
5G700	6634	3000K	62	107	B2-U0-G1
5G105	9306	3000K	94	99	B2-U0-G2



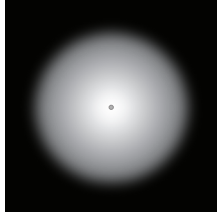
R3W - Distribution Type III					
Light Engine	Lumens	CCT	Input Watts	lm/W	BUG Rating
5G450	4479	3000K	39	115	B2-U0-G1
5G700	6758	3000K	62	109	B2-U0-G2
5G105	9494	3000K	94	101	B3-U0-G2



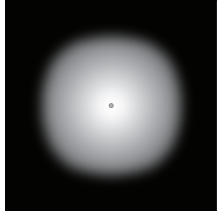
R4 - Distribution Type IV					
Light Engine	Lumens	CCT	Input Watts	lm/W	BUG Rating
5G450	4423	3000K	39	113	B1-U1-G1
5G700	6634	3000K	62	107	B2-U1-G1
5G105	9306	3000K	94	99	B2-U1-G2



R5Q - Distribution Type V					
Light Engine	Lumens	CCT	Input Watts	lm/W	BUG Rating
5G450	4475	3000K	39	115	B2-U0-G2
5G700	6758	3000K	62	109	B2-U0-G2
5G105	9494	3000K	94	101	B3-U0-G3



R5R - Distribution Type V					
Light Engine	Lumens	CCT	Input Watts	lm/W	BUG Rating
5G450	4548	3000K	39	117	B2-U0-G2
5G700	6820	3000K	62	110	B3-U0-G3
5G105	9588	3000K	94	102	B3-U0-G3



R5S - Distribution Type V					
Light Engine	Lumens	CCT	Input Watts	lm/W	BUG Rating
5G450	4517	3000K	39	116	B2-U0-G2
5G700	6820	3000K	62	110	B3-U0-G3
5G105	9588	3000K	94	102	B3-U0-G3

TM-21 Lifetime Calculation						
Light Engine	Ambient Temp (°C)	Lumen Maintenance (% at hours)				Reported L <sub>70</sub>
		25k <sup>1</sup>	50k <sup>1</sup>	75k <sup>2</sup>	100k <sup>2</sup>	
5G450	25°C	99.8%	99.8%	99.8%	99.8%	L <sub>70</sub> (12k) > 70,000 hours
	40°C	99.8%	99.8%	99.8%	99.8%	L <sub>70</sub> (12k) > 70,000 hours
5G700	25°C	99.8%	99.8%	99.8%	99.8%	L <sub>70</sub> (12k) > 70,000 hours
	40°C	99.8%	99.8%	99.8%	99.8%	L <sub>70</sub> (12k) > 70,000 hours
5G105	25°C	99.8%	99.8%	99.8%	99.8%	L <sub>70</sub> (12k) > 70,000 hours
	40°C	99.8%	99.8%	99.8%	99.8%	L <sub>70</sub> (12k) > 70,000 hours

<sup>1</sup> Calculated in accordance with IESNA TM-21-11, projected values are within six times (6x) the IESNA LM-80-08 test duration

<sup>2</sup> Thermal measurements based on Order Code: LRC-10-AS-D12-30-BL-480-CF

Date: \_\_\_\_\_ Customer: \_\_\_\_\_  
 Project: \_\_\_\_\_  
 Type: \_\_\_\_\_ Qty: \_\_\_\_\_

**selux**

**WAKE ROBIN INN  
 104-106 SHARON ROAD  
 SALISBURY, CT  
 SA2H**

**Saturn Cutoff 2 LED**



**Order Code:** SAC2L - R2 - 1 - 5G450 - 27 - 12 - FIN - VOLT - HS

**Pole Order Code:** A35 - 12 - FIN - VOLT-BC5  
Series Height Finish Options

<u>SAC2L</u>	Series	<b>SAC2L</b> Saturn Cutoff 2 LED							
	Optics	R1 Type I	<b>R2</b> Type II	R3 Type III	R3W Type III (Wide)	R4 Type IV	R5R Type V (Round)	R5S Type V (Square)	R5Q Type V (Rectangular)
	Mounting	<b>1</b> Single	1A Single Arm Mount	2 Double	W Wall Mount				
	Light Engine	<b>5G450</b> 39W/4352lm	5G700 62W/6537lm	5G105 94W/9101lm					
	CCT	<b>27<sup>1</sup></b> 2700K	30 <sup>1</sup> 3000K	40 4000K					
	Power Cord Length	08 8'	10 10'	<b>12</b> 12'	14 14'	16 16'	18 18'	<b>XX<sup>2</sup></b> XX	
	Finish	<b>WH</b> White	<b>BK</b> Black	<b>BL</b> Semi-Matte Black	<b>BZ</b> Bronze	<b>SV</b> Silver	SP Specify Premium Color		
	Voltage	<b>120</b> 120V	<b>240</b> 240V	<b>277</b> 277V	<b>347<sup>3</sup></b> 347V	<b>480<sup>3</sup></b> 480V			
	Options	DM <sup>5</sup> Dimming (0-10V)	<b>HS<sup>4</sup></b> House Side Shield (180°)	HL30 <sup>5,6</sup> Hi-Lo Switching Low Output 30%	HL50 <sup>5,6</sup> Hi-Lo Switching Low Output 50%	PCT <sup>7</sup> Photocell Tenon	MS <sup>5,7</sup> Pole Motion Sensor with Optional Photocell (See pagr 3 for order code)		

\*Based on R1 distribution in 3000K CCT.

**DarkSky approved.**  
 \*For other CCTs please consult factory.

\*For 1 mounting use the pole height. For 1A or 2 mounting use the pole height +2.  
<sup>2</sup>Specify number of feet in whole foot increments.

<sup>3</sup>Equipped with step-down transformer.

<sup>4</sup>Type I, II, III, and IV only.  
<sup>5</sup>DM, HLXX, or MS only. Cannot be combined.  
<sup>6</sup>120V, 240V, or 277V only.  
<sup>7</sup>PCT or MS only. Cannot be combined.

**Product Modifications**

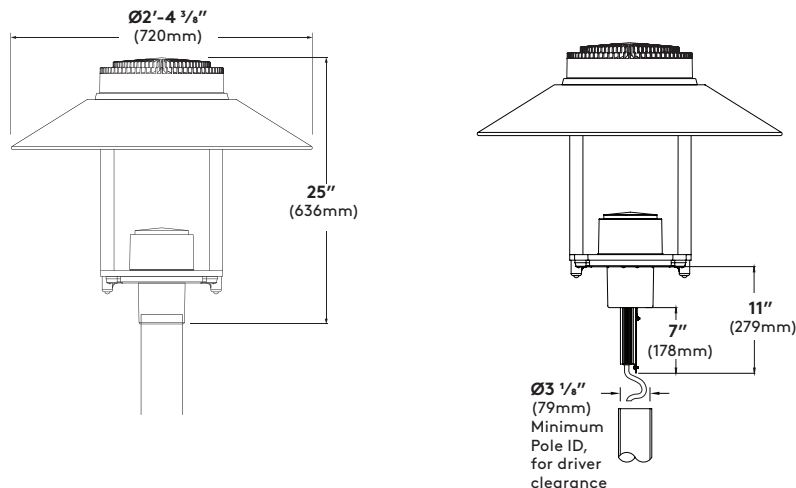
Please list modification requirements for review by factory:

**Approvals**

Date:



## SAC2L-1-XX-DS



### Specifications

**Luminaire Cover** - Die cast aluminum cover made from low copper alloy, designed to ensure optimal thermal management for extra long lifetime of LED light engine.

**Gasketing** - Continuous gasket provides weatherproofing, dust, and insect control at all fixture connections.

**Luminaire Hood** - Aluminum shade with white painted interior.

**LED Array** - High flux LEDs mounted to PC boards and attached to aluminum heat sink for maximum LED performance and life. CCT tolerance ¼ step binning for 3000K and 4000K. CRI minimum 80. Complete light engine can be removed easily for future upgrade. LED light engine provides a reported lumen maintenance of 93% at 50,000 hours. L70 calculated greater than 100,000 hours.

**LED Optics** - Technical Optics (R1, R2, R3, R3W, R4, R5S, R5Q, and R5R) use Selux signature Gen5 light pattern acrylic lens holder to secure proprietary silicone optics. Micro house side shield available for distributions types I, II, III, and IV.

**LED Driver** - LEDs are driven by RoHS compliant constant current programmable LED driver. Driver includes 0-10V dimming to 10%, meets the requirements of IP66. Driver assembly located inside the head.

**Hood Supports** - Two aluminum arms support shade and optic assembly and attach to the die cast aluminum pole fitter.

**Pole Fitter** - Self-leveling, die cast low-copper aluminum alloy, fitter base secured to pole with three stainless steel Allen head set screws. Fitter for 3 ½" (90mm) O.D. poles.

**Driver cover** - Die cast aluminum cover made from low copper alloy, removes for toolless access to driver. Driver secured to removable tray for ease of maintenance.

**Surge Protector** - Designed to protect luminaire from electrical surge (20kA).

**Power Cord** - Pre-installed at factory. Please specify power cord length in accordance to height of the pole. Add 2 feet to power cord length or if Single Arm Mount (1A) or Double Mount (2).

**Exterior Luminaire Finish** - Selux utilizes a high quality Polyester Powder Coating. All Selux luminaires and poles are finished in our Tiger Drylac certified facility and undergo a five stage intensive pretreatment process where product is thoroughly cleaned, phosphated and sealed. Selux powder coated products provide excellent salt and humidity resistance as well as ultraviolet resistance for color retention. All products are tested in accordance with test specifications for coatings from ASTM and PCI.

Standard exterior colors are White (WH), Black (BK), Semi-Matte Black (BL), Bronze (BZ), and Silver (SV). Selux premium colors (SP) are available, please specify from your Selux color selection guide.

### 5 Year Limited LED Luminaire Warranty -

Selux offers a 5 Year Limited Warranty to the original purchaser that the Saturn Cutoff 2 LED luminaire shall be free from defects in material and workmanship for up to five (5) years from date of shipment. This limited warranty covers the LED driver and LED array when installed and operated according to Selux instructions. For details, see "Selux Terms and Condition of Sale."

**Listings and Ratings:** Luminaire and LED tested to IP65 and IESNA LM-79-08 standards. LED tested to LM-80 standards. Luminaire and LED tested at 25°C ambient temperature.

**Luminaire suitable for ambient temperature of 45°C. Minimum operating temperature of luminaire at -40°C (-40°F).**

**NRTL Listed (i.e. UL, CSA).**

**Visit [selux.us](http://selux.us) for our LED End of Life recycling policy.**

**For Buy American compliance on poles, please consult the factory.**

**Mounting**

**Single (1)**

Die cast aluminum fitter base secured to pole with three stainless steel Allen head set screws.

EPA = 0.8ft<sup>2</sup> (0.08m<sup>2</sup>)  
Weight = 39lbs. (17.7kg)

**Single Arm Mount (1A)**

Die cast aluminum single luminaire mounting arm secured to pole with four stainless steel Allen head set screws. Outer slip fitter for Ø3½" tenon.

EPA = 1.3ft<sup>2</sup> (0.12m<sup>2</sup>)  
Weight = 53lbs. (24.0kg)

**Double (2)**

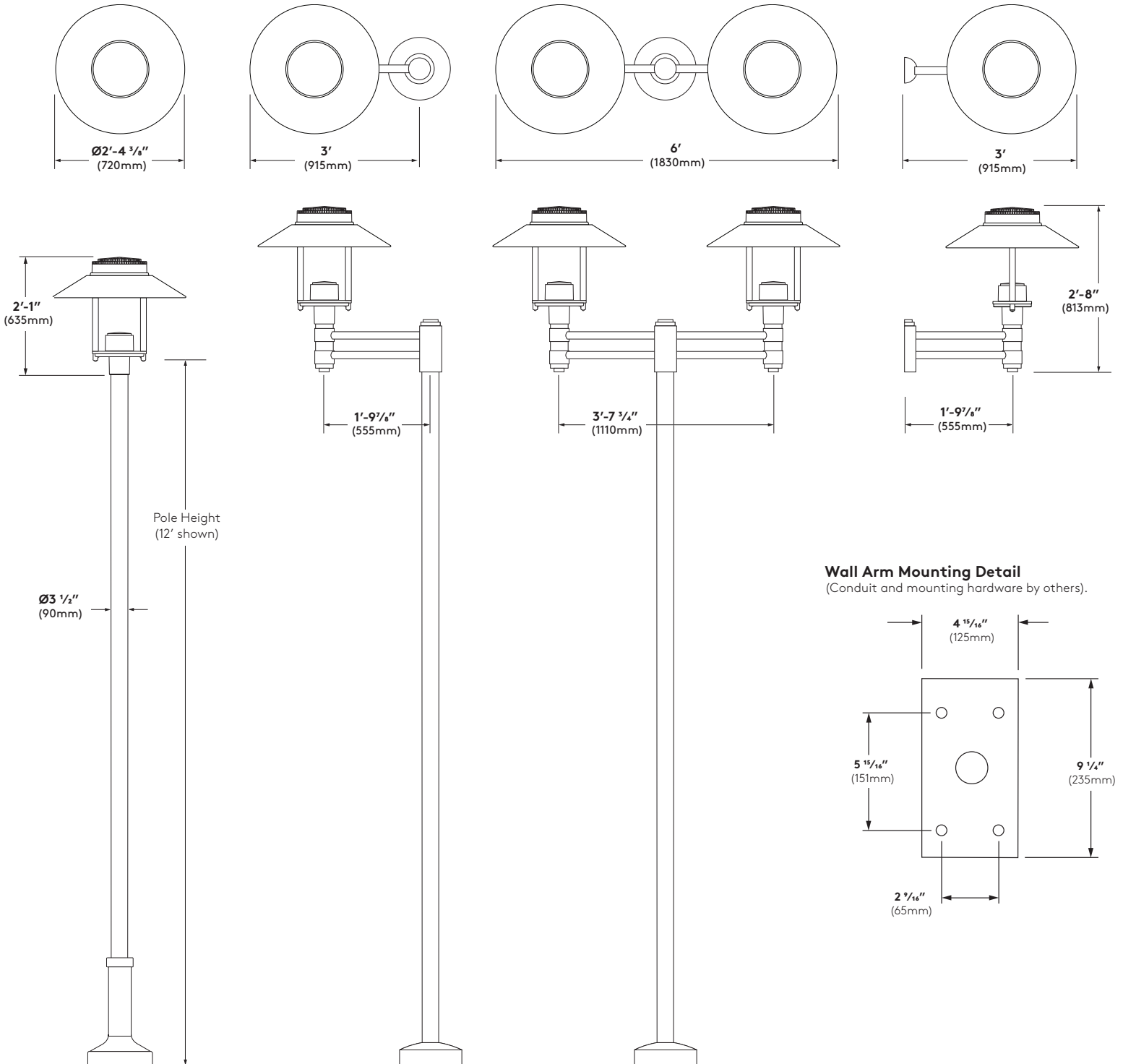
Die cast aluminum double luminaire mounting arm secured to pole with four stainless steel Allen head set screws. Outer slip fitter for Ø3½" tenon.

EPA = 2.4ft<sup>2</sup> (0.22m<sup>2</sup>)  
Weight = 100lbs. (79.8kg)

**Wall (W)**

Die cast aluminum double round wall mount arm. Secured to wall with ¼" diameter threaded fasteners (by others).

EPA = 1.2ft<sup>2</sup> (0.11m<sup>2</sup>)  
Weight = 50lbs. (22.7kg)



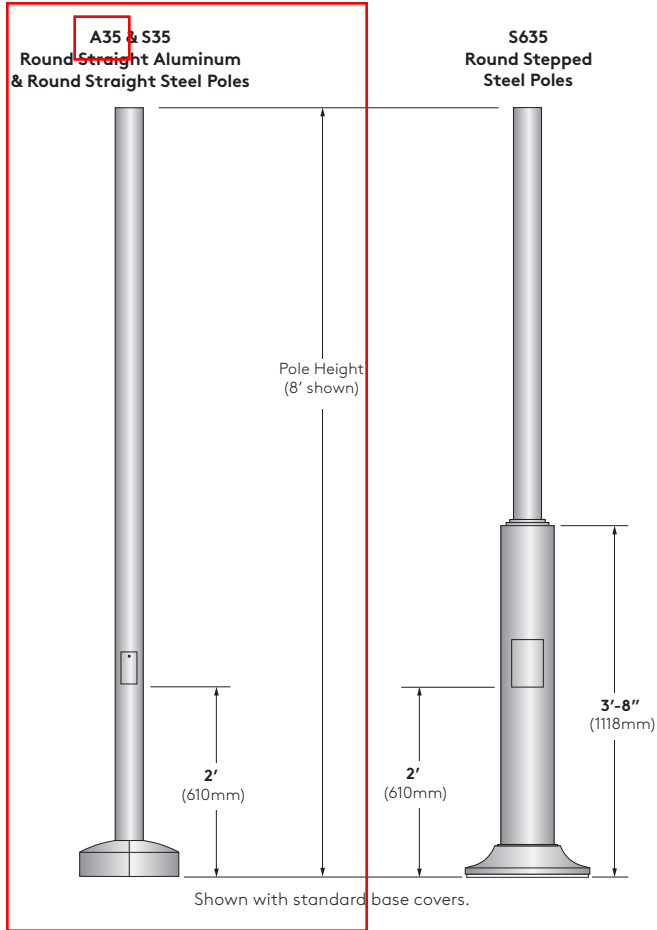
**Wall Arm Mounting Detail**  
(Conduit and mounting hardware by others).

**Pole Information**

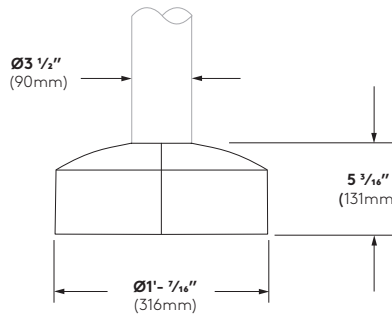
Refer to pole specification sheets for construction details, anchorage information and additional options.

**Base Cover Information**

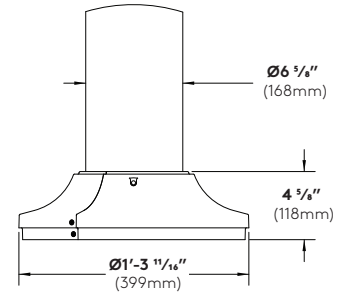
Refer to pole specification sheets for construction details, anchorage information and additional options.



**Standard Base Cover (BC5)**  
Supplied with A35 and S35  
Two-piece cast aluminum

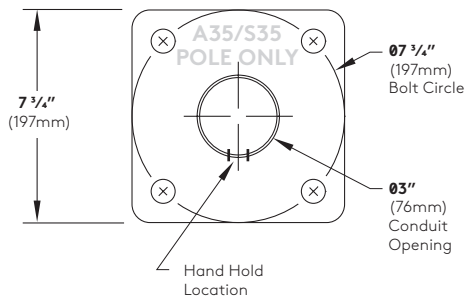


**Standard Base Cover (BC6)**  
Supplied with S635  
Two-piece cast aluminum



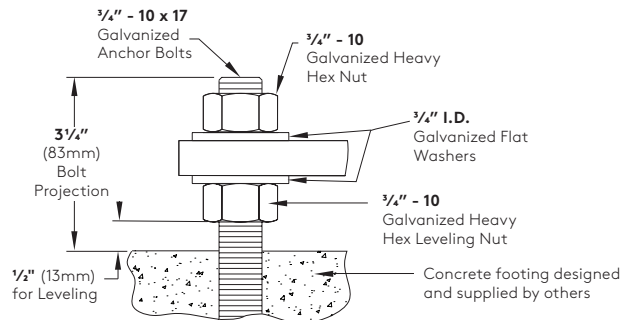
**Bolt Circle for A35 & S35**

Use caution when setting anchor bolts. Bolts must be vertically straight and centered on dimensions shown



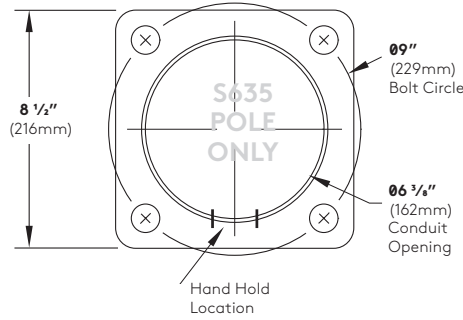
**Note:** Adequate drainage must be provided in concrete foundation.

**Anchor Bolt Detail for A35 & S35**

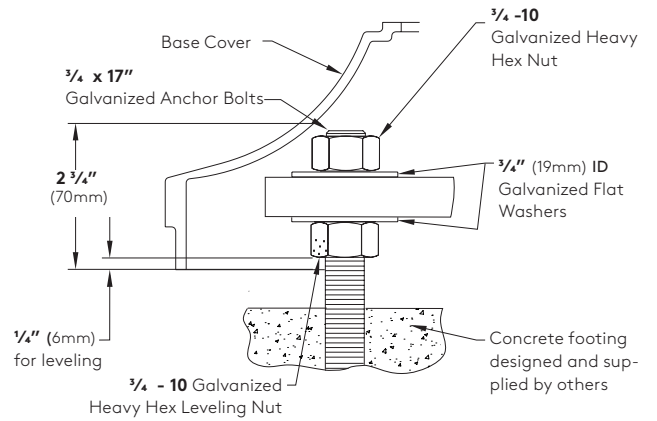


**Bolt Circle for S635**

Use caution when setting anchor bolts. Bolts must be vertically straight and centered on dimensions shown.



**Anchor Bolt Detail for S635**



**Note:** Adequate drainage must be provided in concrete foundation.

**Pole Data Chart**

Pole Series	Bolt Circle (in)	Wall (in)	Maximum EPA Rating (ft²) / Wind Speed (mph)											Height	Finish	Options
			85	90	100	110	120	130	140	150	160	170	180			
A35 3 1/2" Round Straight Aluminum Pole	7 3/4	0.197	8.7	7.7	6.0	4.8	3.9	3.1	2.6	2.2	1.9	1.7	1.5	8ft 8ft	WH White BK Black BL Semi-Matte Black BZ Bronze SV Silver	BC3 Decorative Cast Aluminum Base Cover (AT535) BC5 Decorative Cast Aluminum Base Cover (A35 and S35) BC6 Decorative Cast Aluminum Base Cover (S635) REC* GFCI Duplex Receptacle with weatherproof cover. REC2* GFCI Duplex Receptacle with padlockable in-use cover. REC3* USB and Duplex Receptacle with weatherproof cover. REC4* USB and Duplex Receptacle with padlockable in-use cover. MS Motion Sensor with optional Photocell (Meets Title 24 Requirements).
S35 3 1/2" Round Straight Steel Pole	7 3/4	0.125	13.1	11.5	9.2	7.4	6.0	5.0	4.2	3.6	3.2	2.8	2.4			
S635 6" to 3 1/2" Round Straight Stepped Steel Pole	9	0.125	34.4	30.6	24.6	20.2	16.8	14.2	12.2	10.5	9.2	8.1	7.2			
A35 3 1/2" Round Straight Aluminum Pole	7 3/4	0.197	6.9	6.0	4.6	3.6	2.8	2.2	1.8	1.5	1.2	1.0	0.9	10 10ft	SP Specify Pre-mium Color	
S35 3 1/2" Round Straight Steel Pole	7 3/4	0.125	10.5	9.2	7.2	5.7	4.6	3.7	3.1	2.6	2.3	2.0	1.7			
S635 6" to 3 1/2" Round Straight Stepped Steel Pole	9	0.125	28.5	23.5	20.2	16.5	13.7	11.5	9.8	8.5	7.4	6.5	5.7			
A35 3 1/2" Round Straight Aluminum Pole	7 3/4	0.197	5.4	4.7	3.5	2.6	1.9	1.4	1.1	0.8	0.7	-	-	12 12ft		
S35 3 1/2" Round Straight Steel Pole	7 3/4	0.125	8.6	7.5	5.7	4.4	3.5	2.7	2.2	1.9	1.6	1.3	1.1			
S635 6" to 3 1/2" Round Straight Stepped Steel Pole	9	0.125	23.6	21.0	16.9	13.7	11.3	9.4	8.0	6.9	6.0	5.2	4.6			
A35 3 1/2" Round Straight Aluminum Pole	7 3/4	0.197	3.8	3.2	2.2	1.5	0.9	-	-	-	-	-	-	14 14ft		
S35 3 1/2" Round Straight Steel Pole	7 3/4	0.125	6.3	5.4	4.0	3.0	2.2	1.6	1.2	1.0	0.8	0.6	-			
S635 6" to 3 1/2" Round Straight Stepped Steel Pole	9	0.125	18.2	16.2	13.1	10.5	8.6	7.0	5.9	5.0	4.4	3.8	3.3			
A35 3 1/2" Round Straight Aluminum Pole	7 3/4	0.197	2.7	2.2	1.3	0.7	-	-	-	-	-	-	-	16 16ft		
S35 3 1/2" Round Straight Steel Pole	7 3/4	0.125	5.1	4.3	3.1	2.1	1.4	0.9	0.6	-	-	-	-			
S635 6" to 3 1/2" Round Straight Stepped Steel Pole	9	0.125	15.6	13.9	11.2	8.9	7.1	5.7	4.8	4.0	3.5	3.0	2.6			
A35 3 1/2" Round Straight Aluminum Pole	7 3/4	0.125	4.2	3.4	2.2	1.4	0.8	-	-	-	-	-	-	18 16ft		
S35 3 1/2" Round Straight Steel Pole	7 3/4	0.125	4.2	3.4	2.2	1.4	0.8	-	-	-	-	-	-			
S635 6" to 3 1/2" Round Straight Stepped Steel Pole	9	0.125	15.6	13.9	11.2	8.9	7.1	5.7	4.8	4.0	3.5	3.0	2.6			
AT535 5" to 3 1/2" Round tapered Aluminum Pole	8 5/8	0.188	8.9	7.6	5.7	4.3	3.3	2.6	2.1	1.7	1.4	1.2	1.0	20 20ft		
S635 6" to 3 1/2" Round Straight Stepped Steel Pole	9	0.125	13.7	12.2	9.5	7.5	5.9	4.6	3.8	3.2	2.7	2.3	2.0			
AT535 5" to 3 1/2" Round tapered Aluminum Pole	8 5/8	0.188	7.3	6.2	4.4	3.2	2.3	1.7	1.4	1.1	0.9	-	-	20 20ft		
S635 6" to 3 1/2" Round Straight Stepped Steel Pole	9	0.125	12.1	10.8	8.2	6.3	4.8	3.7	2.9	2.4	2.0	1.7	1.4			

**Notes:**  
 1. Maximum EPA ratings certified in accordance with AASHTO 2013 (LTS-6-13) for 3-s gust wind speeds based on Allowable Stress Design (ASD) analysis  
 2. Consult factory for equivalent Load and Resistance Factor Design (LRFD) wind speeds  
 3. Rated performance is dependent upon the pole being properly attached to a supporting foundation of adequate design  
 \*The EPA capacity of a S35 pole is reduced with receptacle option. Consult factory for S35 EPA capacity with receptacle.

**Round Pole Motion Sensor**

The Selux outdoor rated sensor incorporates Passive Infrared (PIR) Technology for motion sensing and also includes built-in photocell. Sensor comes pre-installed in cast aluminum housing painted to match pole finish.

Series	Hand Hole Orientation	Dim Level	Photocell Feature	Voltage
<b>MS</b> Motion Sensor	<b>00</b> 0° Clockwise from Hand Hole	<b>D0</b> (Off)	<b>Y</b> Yes	<b>UNV</b> (100-347VAC single phase or 208/230/480VAC phase-to-phase)
	<b>09</b> 90° Clockwise from Hand Hole	<b>D1</b> (1V=10%)		
	<b>18</b> 180° Clockwise from Hand Hole	<b>D3</b> (3V=30%)	<b>N</b> No	
	<b>27</b> 270° Clockwise from Hand Hole	<b>D5</b> (5V=50%)		

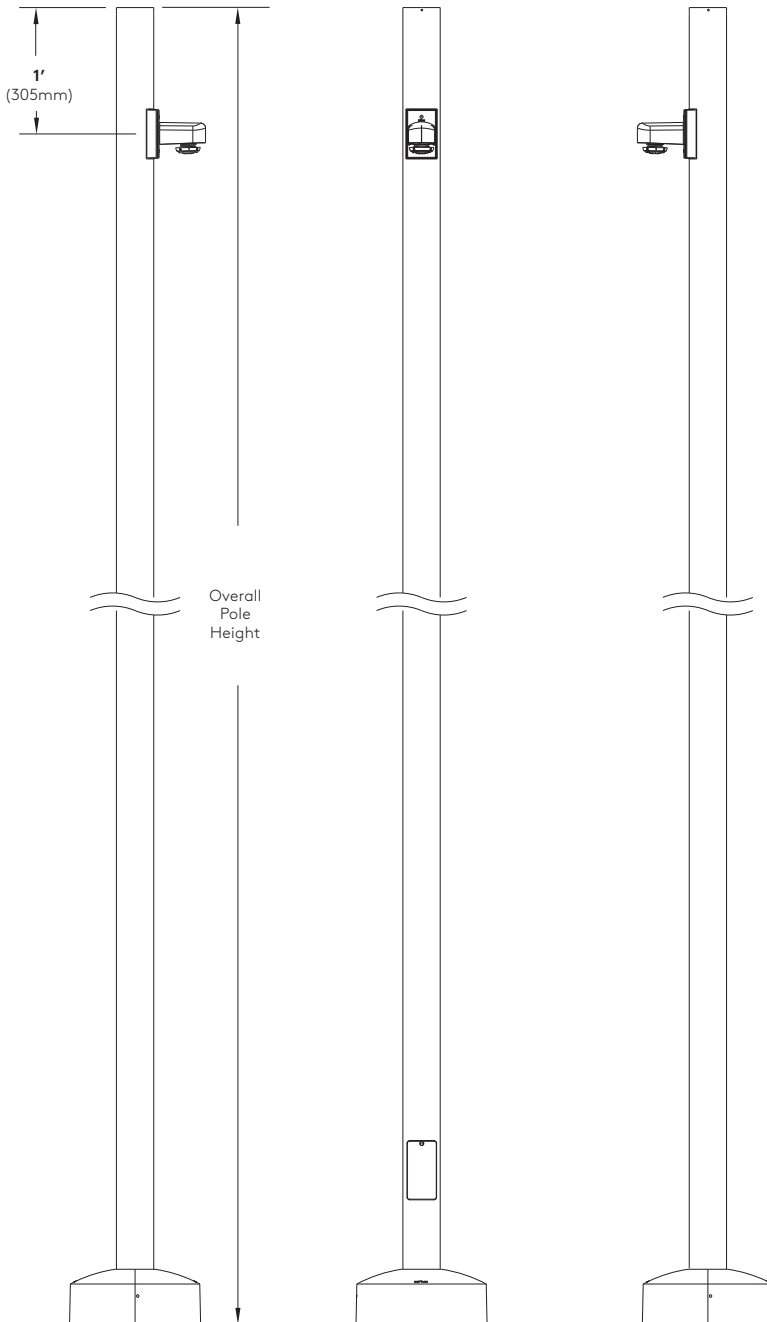
**Factory Defaults:**

Delay to Dim: 5 minutes

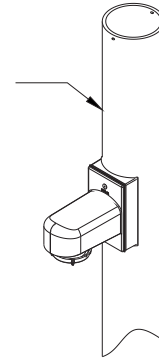
Delay to Off: 1 hour

Sensitivity: Max

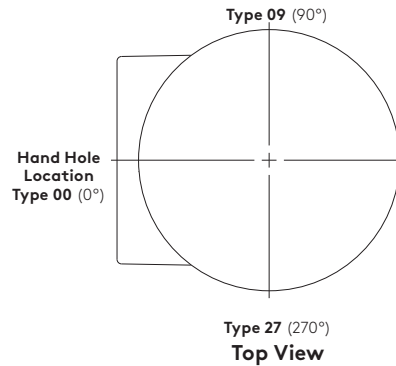
Custom Programming: Consult Factory



General Pole Drawing For Example Only.



Sensor angular orientation from hand hole 0°  
90° increments clockwise around pole (Type 00, 09, 18, 27)



**Motion Sensor Features**

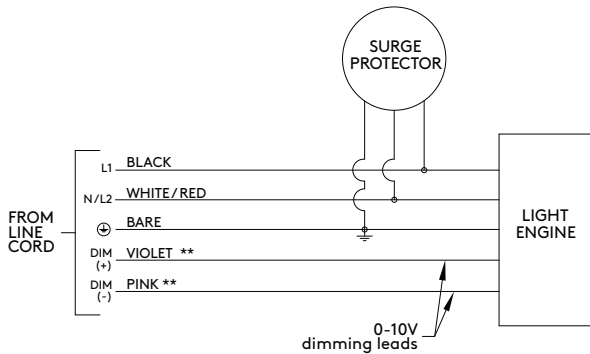
- Customize programming using smartphone application (Refer to the FSP-321 at [www.wattstopper.com](http://www.wattstopper.com)).
- 5 Year Warranty.
- 100% Digital PIR Detection, excellent RF Immunity.
- 270° coverage pattern.
- IP66 Rated for outdoor applications.
- Made for LED light source.
- Adjustable time delays, max/min dim levels, and ramp rates.
- Suitable for Title 24 applications.

(For coverage details refer to wattstopper FSP-321 spec sheet at [www.wattstopper.com](http://www.wattstopper.com)).

Wiring Diagrams

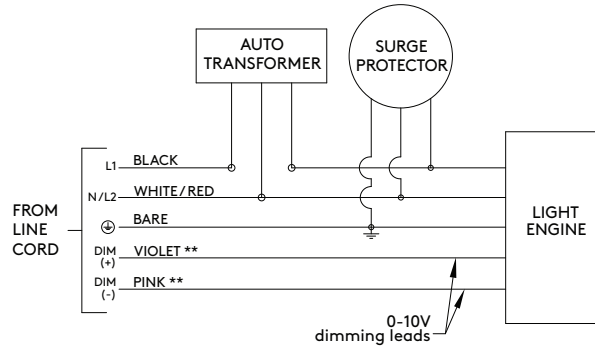
**Standard Wiring (120V-277V)**

\*\*When dimming is not required cap dimming wires.



**Standard Wiring (347/480V with Step-down Transformer)**

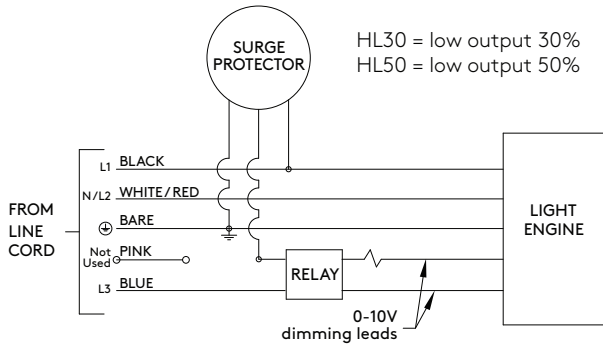
\*\*When dimming is not required cap dimming wires.



**Hi-Lo Switching Option (HL) Wiring HL30 & HL50 Only**

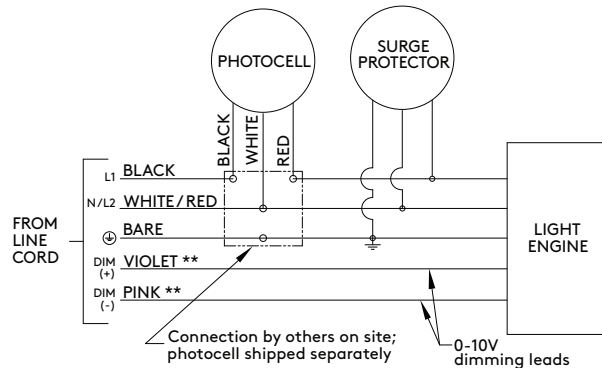
120V, 240V, 277V. When blue is energized, light output will be at "Lo" level. Specify low-level by using one of the 2 levels listed below ( i.e. HL30 or HL50). For other combinations, consult factory

HL30 = low output 30%  
HL50 = low output 50%



**Photocell Option (PCT) Wiring**

\*\*When dimming is not required cap dimming wires.

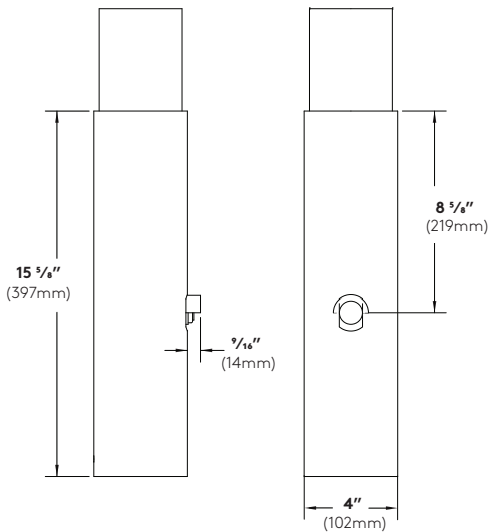
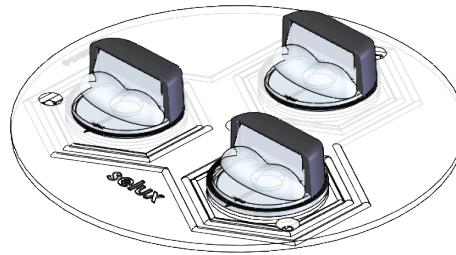


Wire Designation Table		
Source Voltage (VAC)	Wire Color	Wire Designation
120V, 277V, or 347V	Black	L1
	White	Neutral
208V, 240V, or 480V	Black	L1
	Red	L2
UNV (120V-277V)	Black	L1
	White	Neutral (120/277V) or L2 (208/240V)

**Optional Accessories**

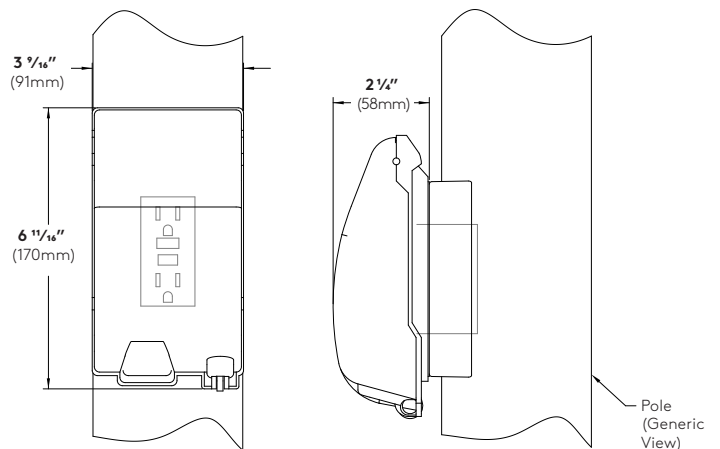
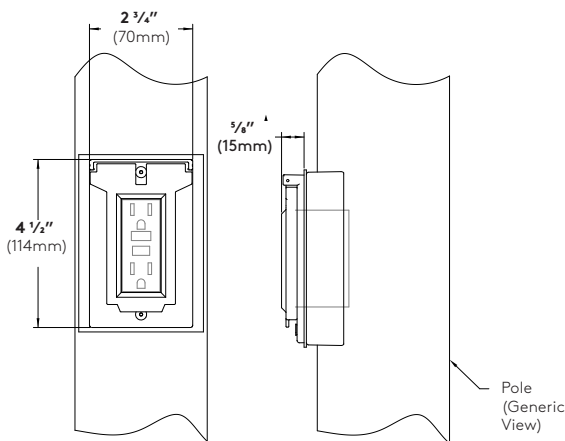
**Photo Cell Tenon (PCT)** - Button type photocell mounted in cast aluminum pole top tenon. Tenon has integral cast visor to prevent false start/stop cycle and can be oriented for optimum performance. Refer to luminaire spec sheet to determine if this option is applicable.

**House Side Shield (HS)** - 180° micro house side shield reduces light levels to <0.1 fc at approximately one mounting height behind luminaire.



**REC and REC3**

**REC2 and REC4**



Cover shown in the closed position

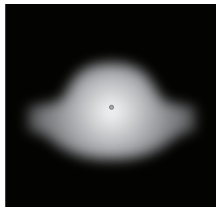
Cover shown in the closed position

**GFCI Duplex Receptacle (REC)** - 120V 15A GFCI duplex receptacle with weatherproof, self-closing cover; located 36" (914mm) o.c. from base of pole, in-line with hand hole. Receptacle is intended only for portable tools or other portable equipment to be connected to outlet only when attended by operating personnel (120V only).

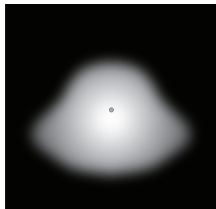
**GFCI Duplex Receptacle (REC2)** - 120V 15A GFCI duplex receptacle with weatherproof, self-closing, padlockable in-use cover; located 36" (914mm) o.c. from base of pole, in-line with hand hole. Receptacle is intended only for portable tools or other portable equipment to be connected to outlet only when attended by operating personnel (120V only).

**USB & GFCI Duplex Receptacle (REC3)** (not shown) - 120V 15A GFCI duplex receptacle with USB combination ports. (1) USB Type-A and (1) USB Type-C port share 2.0A charging capacity between both ports. Includes weatherproof, self-closing cover; located 36" (914mm) o.c. from base of pole, in-line with hand hole. Receptacle is intended only for portable tools or other portable equipment to be connected to outlet only when attended by operating personnel.

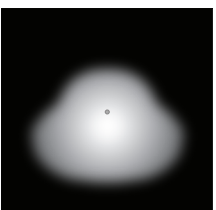
**USB & GFCI Duplex Receptacle (REC4)** (not shown) - 120V 15A GFCI duplex receptacle with USB combination ports. (1) USB Type-A and (1) USB Type-C port share 2.0A charging capacity between both ports. Includes weatherproof, self-closing padlockable in-use cover; located 36" (914mm) o.c. from base of pole, in-line with hand hole. Receptacle is intended only for portable tools or other portable equipment to be connected to outlet only when attended by operating personnel.



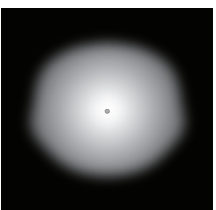
R1 - Distribution Type I					
Light Engine	Lumens	CCT	Input Watts	lm/W	BUG Rating
5G450	4352	3000K	39	112	B1-U0-G1
5G700	6537	3000K	62	105	B2-U0-G2
5G105	9101	3000K	94	97	B2-U0-G1



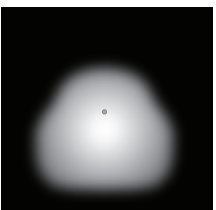
R2 - Distribution Type II					
Light Engine	Lumens	CCT	Input Watts	lm/W	BUG Rating
5G450	4416	3000K	39	113	B1-U0-G1
5G700	6634	3000K	62	107	B2-U0-G1
5G105	9306	3000K	94	99	B2-U0-G2



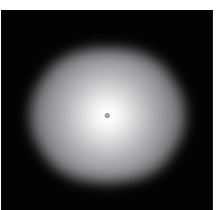
R3 - Distribution Type III					
Light Engine	Lumens	CCT	Input Watts	lm/W	BUG Rating
5G450	4414	3000K	39	113	B1-U0-G1
5G700	6634	3000K	62	107	B2-U0-G1
5G105	9306	3000K	94	99	B2-U0-G2



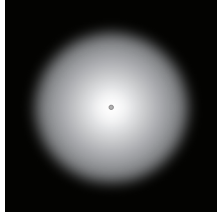
R3W - Distribution Type III					
Light Engine	Lumens	CCT	Input Watts	lm/W	BUG Rating
5G450	4479	3000K	39	115	B2-U0-G1
5G700	6758	3000K	62	109	B2-U0-G2
5G105	9494	3000K	94	101	B3-U0-G2



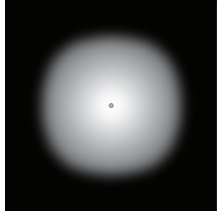
R4 - Distribution Type IV					
Light Engine	Lumens	CCT	Input Watts	lm/W	BUG Rating
5G450	4423	3000K	39	113	B1-U1-G1
5G700	6634	3000K	62	107	B2-U1-G1
5G105	9306	3000K	94	99	B2-U1-G2



R5Q - Distribution Type V					
Light Engine	Lumens	CCT	Input Watts	lm/W	BUG Rating
5G450	4475	3000K	39	115	B2-U0-G2
5G700	6758	3000K	62	109	B2-U0-G2
5G105	9494	3000K	94	101	B3-U0-G3



R5R - Distribution Type V					
Light Engine	Lumens	CCT	Input Watts	lm/W	BUG Rating
5G450	4548	3000K	39	117	B2-U0-G2
5G700	6820	3000K	62	110	B3-U0-G3
5G105	9588	3000K	94	102	B3-U0-G3



R5S - Distribution Type V					
Light Engine	Lumens	CCT	Input Watts	lm/W	BUG Rating
5G450	4517	3000K	39	116	B2-U0-G2
5G700	6820	3000K	62	110	B3-U0-G3
5G105	9588	3000K	94	102	B3-U0-G3

TM-21 Lifetime Calculation						
Light Engine	Ambient Temp (°C)	Lumen Maintenance (% at hours)				Reported L <sub>70</sub>
		25k <sup>1</sup>	50k <sup>1</sup>	75k <sup>2</sup>	100k <sup>2</sup>	
5G450	25°C	99.8%	99.8%	99.8%	99.8%	L <sub>70</sub> (12k) > 70,000 hours
	40°C	99.8%	99.8%	99.8%	99.8%	L <sub>70</sub> (12k) > 70,000 hours
5G700	25°C	99.8%	99.8%	99.8%	99.8%	L <sub>70</sub> (12k) > 70,000 hours
	40°C	99.8%	99.8%	99.8%	99.8%	L <sub>70</sub> (12k) > 70,000 hours
5G105	25°C	99.8%	99.8%	99.8%	99.8%	L <sub>70</sub> (12k) > 70,000 hours
	40°C	99.8%	99.8%	99.8%	99.8%	L <sub>70</sub> (12k) > 70,000 hours

<sup>1</sup> Calculated in accordance with IESNA TM-21-11, projected values are within six times (6x) the IESNA LM-80-08 test duration

<sup>2</sup> Thermal measurements based on Order Code: LRC-10-AS-D12-30-BL-480-CF

Date: \_\_\_\_\_ Customer: \_\_\_\_\_  
 Project: \_\_\_\_\_  
 Type: \_\_\_\_\_ Qty: \_\_\_\_\_

**selux**

**WAKE ROBIN INN  
 104-106 SHARON ROAD  
 SALISBURY, CT  
 SA3**

**Saturn Cutoff 2 LED**



**Order Code:** SAC2L - R3 - 1 - 5G450 - 27 - 12 - FIN - VOLT - \_\_\_\_\_

**Pole Order Code:** A35 - 12 - FIN - VOLT-BC5

SAC2L	Series	SAC2L Saturn Cutoff 2 LED								
	Optics	R1 Type I	R2 Type II	R3 Type III	R3W Type III (Wide)	R4 Type IV	R5R Type V (Round)	R5S Type V (Square)	R5Q Type V (Rectangular)	
	Mounting	1 Single	1A Single Arm Mount	2 Double	W Wall Mount					
	Light Engine	5G450 39W/4352lm	5G700 62W/6537lm	5G105 94W/9101lm						<sup>*</sup> Based on R1 distribution in 3000K CCT.
	CCT	27 <sup>1</sup> 2700K	30 <sup>1</sup> 3000K	40 4000K						<sup>1</sup> DarkSky approved. <sup>*</sup> For other CCTs please consult factory.
	Power Cord Length	08 8'	10 10'	12 12'	14 14'	16 16'	18 18'	XX <sup>2</sup> XX		<sup>*</sup> For 1 mounting use the pole height. For 1A or 2 mounting use the pole height +2. <sup>2</sup> Specify number of feet in whole foot increments.
	Finish	WH White	BK Black	BL Semi-Matte Black	BZ Bronze	SV Silver	SP Specify Premium Color			
	Voltage	120 120V	240 240V	277 277V	347 <sup>3</sup> 347V	480 <sup>3</sup> 480V				<sup>3</sup> Equipped with step-down transformer.
	Options	DM <sup>5</sup> Dimming (0-10V)	HS <sup>4</sup> House Side Shield (180°)	HL30 <sup>5,6</sup> Hi-Lo Switching Low Output 30%	HL50 <sup>5,6</sup> Hi-Lo Switching Low Output 50%	PCT <sup>7</sup> Photocell Tenon	MS <sup>5,7</sup> Pole Motion Sensor with Optional Photocell (See pagr 3 for order code)			<sup>4</sup> Type I, II, III, and IV only. <sup>5</sup> DM, HLXX, or MS only. Cannot be combined. <sup>6</sup> 120V, 240V, or 277V only. <sup>7</sup> PCT or MS only. Cannot be combined.

**Product Modifications**

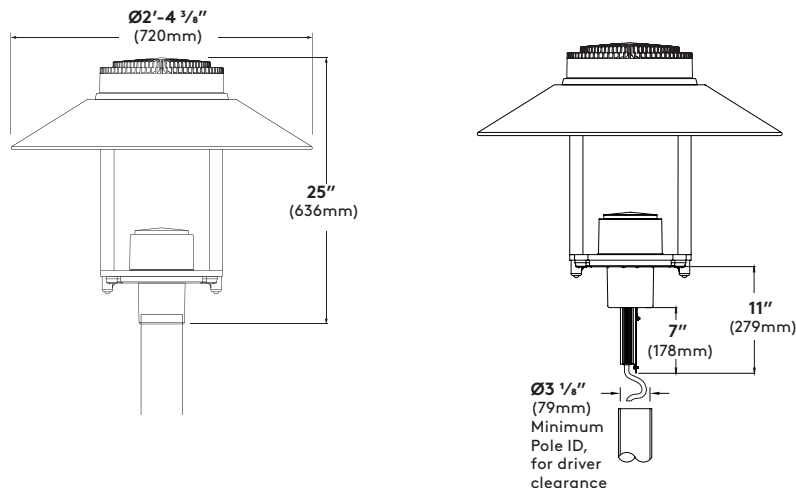
Please list modification requirements for review by factory:

**Approvals**

Date: \_\_\_\_\_



## SAC2L-1-XX-DS



### Specifications

**Luminaire Cover** - Die cast aluminum cover made from low copper alloy, designed to ensure optimal thermal management for extra long lifetime of LED light engine.

**Gasketing** - Continuous gasket provides weatherproofing, dust, and insect control at all fixture connections.

**Luminaire Hood** - Aluminum shade with white painted interior.

**LED Array** - High flux LEDs mounted to PC boards and attached to aluminum heat sink for maximum LED performance and life. CCT tolerance ¼ step binning for 3000K and 4000K. CRI minimum 80. Complete light engine can be removed easily for future upgrade. LED light engine provides a reported lumen maintenance of 93% at 50,000 hours. L70 calculated greater than 100,000 hours.

**LED Optics** - Technical Optics (R1, R2, R3, R3W, R4, R5S, R5Q, and R5R) use Selux signature Gen5 light pattern acrylic lens holder to secure proprietary silicone optics. Micro house side shield available for distributions types I, II, III, and IV.

**LED Driver** - LEDs are driven by RoHS compliant constant current programmable LED driver. Driver includes 0-10V dimming to 10%, meets the requirements of IP66. Driver assembly located inside the head.

**Hood Supports** - Two aluminum arms support shade and optic assembly and attach to the die cast aluminum pole fitter.

**Pole Fitter** - Self-leveling, die cast low-copper aluminum alloy, fitter base secured to pole with three stainless steel Allen head set screws. Fitter for 3 ½" (90mm) O.D. poles.

**Driver cover** - Die cast aluminum cover made from low copper alloy, removes for toolless access to driver. Driver secured to removable tray for ease of maintenance.

**Surge Protector** - Designed to protect luminaire from electrical surge (20kA).

**Power Cord** - Pre-installed at factory. Please specify power cord length in accordance to height of the pole. Add 2 feet to power cord length or if Single Arm Mount (1A) or Double Mount (2).

**Exterior Luminaire Finish** - Selux utilizes a high quality Polyester Powder Coating. All Selux luminaires and poles are finished in our Tiger Drylac certified facility and undergo a five stage intensive pretreatment process where product is thoroughly cleaned, phosphated and sealed. Selux powder coated products provide excellent salt and humidity resistance as well as ultraviolet resistance for color retention. All products are tested in accordance with test specifications for coatings from ASTM and PCI.

Standard exterior colors are White (WH), Black (BK), Semi-Matte Black (BL), Bronze (BZ), and Silver (SV). Selux premium colors (SP) are available, please specify from your Selux color selection guide.

### 5 Year Limited LED Luminaire Warranty -

Selux offers a 5 Year Limited Warranty to the original purchaser that the Saturn Cutoff 2 LED luminaire shall be free from defects in material and workmanship for up to five (5) years from date of shipment. This limited warranty covers the LED driver and LED array when installed and operated according to Selux instructions. For details, see "Selux Terms and Condition of Sale."

**Listings and Ratings:** Luminaire and LED tested to IP65 and IESNA LM-79-08 standards. LED tested to LM-80 standards. Luminaire and LED tested at 25°C ambient temperature.

**Luminaire suitable for ambient temperature of 45°C. Minimum operating temperature of luminaire at -40°C (-40°F).**

**NRTL Listed (i.e. UL, CSA).**

**Visit [selux.us](http://selux.us) for our LED End of Life recycling policy.**

**For Buy American compliance on poles, please consult the factory.**

**Mounting**

**Single (1)**

Die cast aluminum fitter base secured to pole with three stainless steel Allen head set screws.

EPA = 0.8ft<sup>2</sup> (0.08m<sup>2</sup>)  
Weight = 39lbs. (17.7kg)

**Single Arm Mount (1A)**

Die cast aluminum single luminaire mounting arm secured to pole with four stainless steel Allen head set screws. Outer slip fitter for Ø3½" tenon.

EPA = 1.3ft<sup>2</sup> (0.12m<sup>2</sup>)  
Weight = 53lbs. (24.0kg)

**Double (2)**

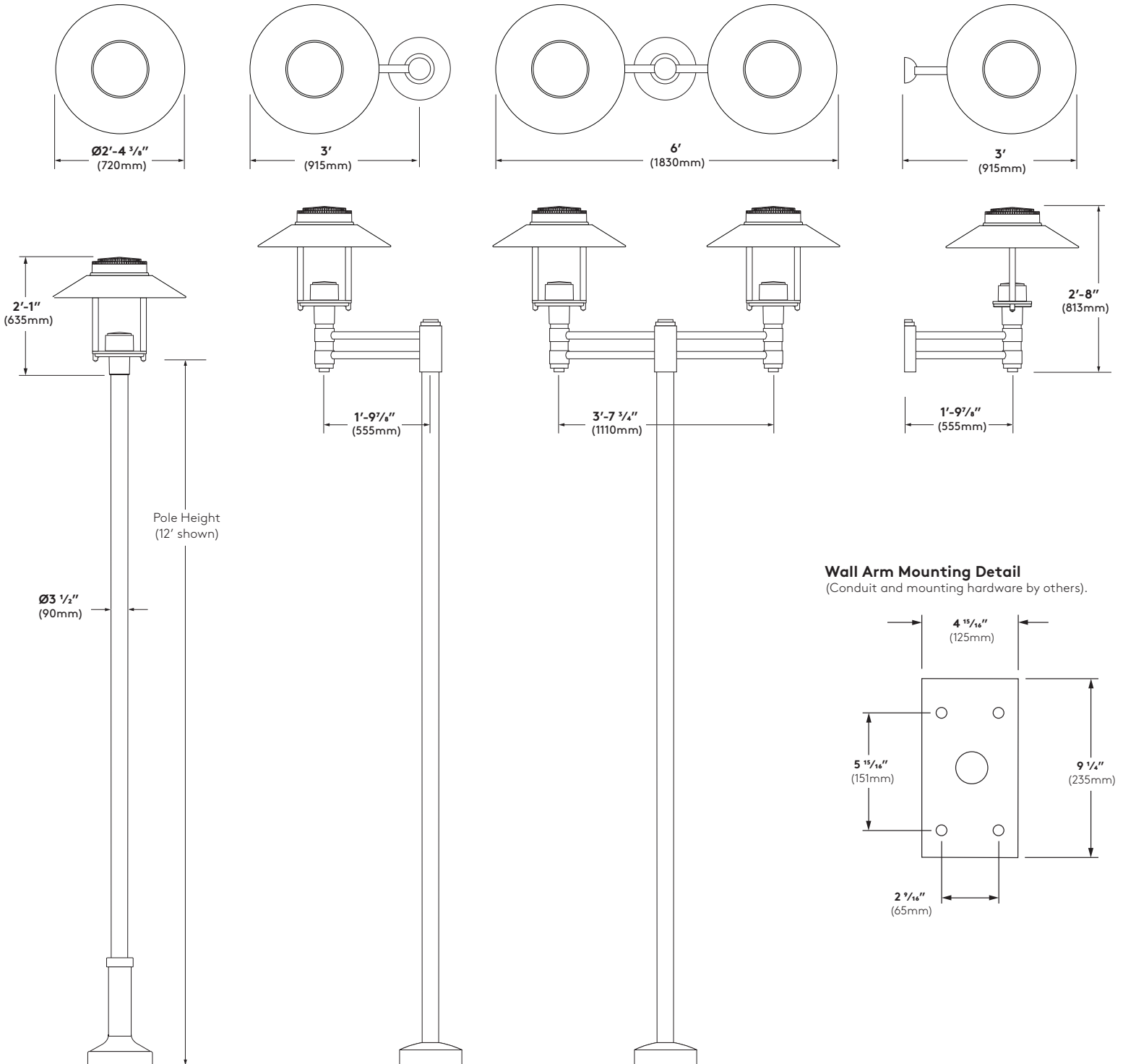
Die cast aluminum double luminaire mounting arm secured to pole with four stainless steel Allen head set screws. Outer slip fitter for Ø3½" tenon.

EPA = 2.4ft<sup>2</sup> (0.22m<sup>2</sup>)  
Weight = 100lbs. (79.8kg)

**Wall (W)**

Die cast aluminum double round wall mount arm. Secured to wall with ¼" diameter threaded fasteners (by others).

EPA = 1.2ft<sup>2</sup> (0.11m<sup>2</sup>)  
Weight = 50lbs. (22.7kg)



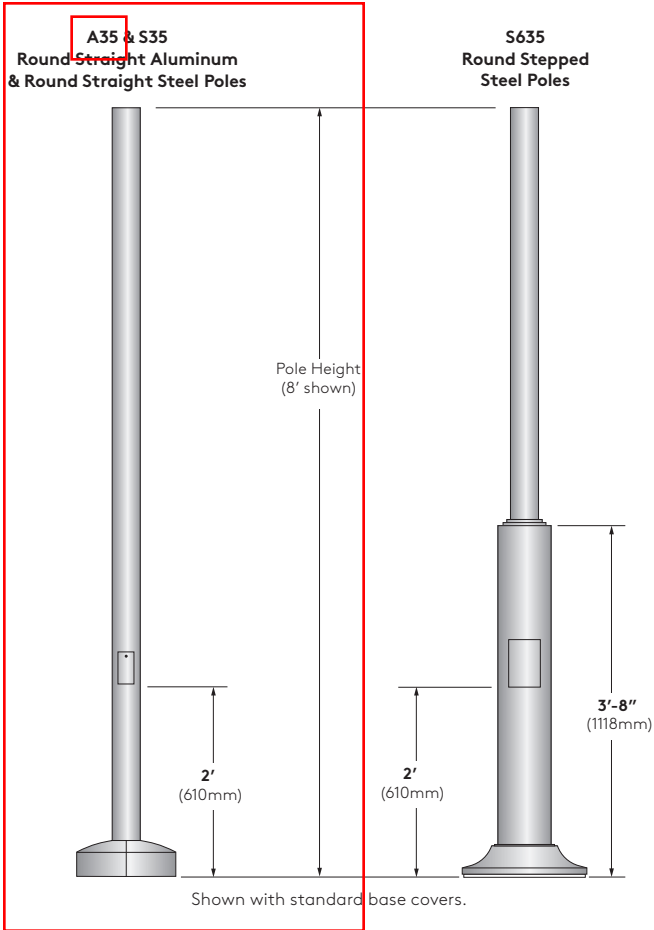
**Wall Arm Mounting Detail**  
(Conduit and mounting hardware by others).

**Pole Information**

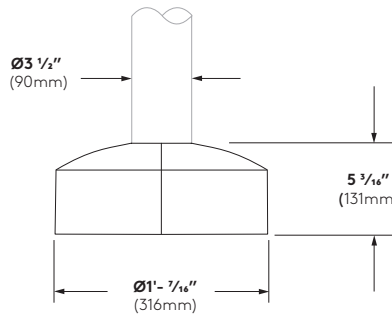
Refer to pole specification sheets for construction details, anchorage information and additional options.

**Base Cover Information**

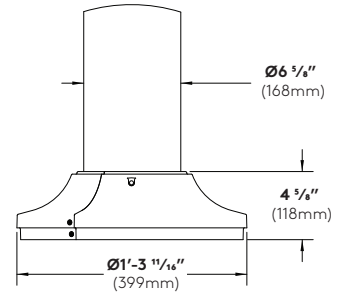
Refer to pole specification sheets for construction details, anchorage information and additional options.



**Standard Base Cover (BC5)**  
Supplied with A35 and S35  
Two-piece cast aluminum

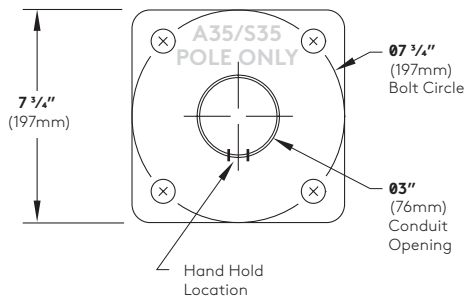


**Standard Base Cover (BC6)**  
Supplied with S635  
Two-piece cast aluminum



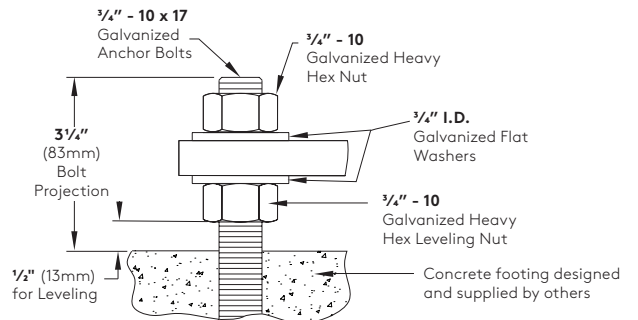
**Bolt Circle for A35 & S35**

Use caution when setting anchor bolts. Bolts must be vertically straight and centered on dimensions shown



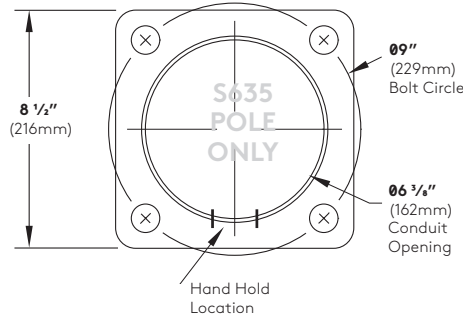
**Note:** Adequate drainage must be provided in concrete foundation.

**Anchor Bolt Detail for A35 & S35**

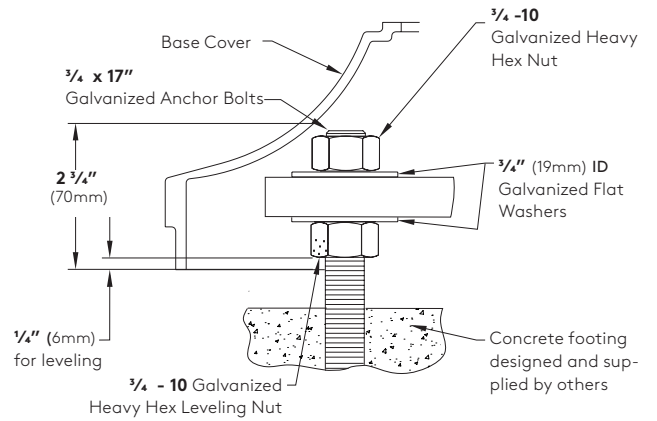


**Bolt Circle for S635**

Use caution when setting anchor bolts. Bolts must be vertically straight and centered on dimensions shown.



**Anchor Bolt Detail for S635**



**Note:** Adequate drainage must be provided in concrete foundation.

**Pole Data Chart**

Pole Series	Bolt Circle (in)	Wall (in)	Maximum EPA Rating (ft²) / Wind Speed (mph)											Height	Finish	Options
			85	90	100	110	120	130	140	150	160	170	180			
A35 3 1/2" Round Straight Aluminum Pole	7 3/4	0.197	8.7	7.7	6.0	4.8	3.9	3.1	2.6	2.2	1.9	1.7	1.5	8ft 8ft	WH White BK Black BL Semi-Matte Black BZ Bronze SV Silver	BC3 Decorative Cast Aluminum Base Cover (AT535) BC5 Decorative Cast Aluminum Base Cover (A35 and S35) BC6 Decorative Cast Aluminum Base Cover (S635) REC* GFCI Duplex Receptacle with weatherproof cover. REC2* GFCI Duplex Receptacle with padlockable in-use cover. REC3* USB and Duplex Receptacle with weatherproof cover. REC4* USB and Duplex Receptacle with padlockable in-use cover. MS Motion Sensor with optional Photocell (Meets Title 24 Requirements).
S35 3 1/2" Round Straight Steel Pole	7 3/4	0.125	13.1	11.5	9.2	7.4	6.0	5.0	4.2	3.6	3.2	2.8	2.4			
S635 6" to 3 1/2" Round Straight Stepped Steel Pole	9	0.125	34.4	30.6	24.6	20.2	16.8	14.2	12.2	10.5	9.2	8.1	7.2			
A35 3 1/2" Round Straight Aluminum Pole	7 3/4	0.197	6.9	6.0	4.6	3.6	2.8	2.2	1.8	1.5	1.2	1.0	0.9	10 10ft	SP Specify Pre-mium Color	
S35 3 1/2" Round Straight Steel Pole	7 3/4	0.125	10.5	9.2	7.2	5.7	4.6	3.7	3.1	2.6	2.3	2.0	1.7			
S635 6" to 3 1/2" Round Straight Stepped Steel Pole	9	0.125	28.5	23.5	20.2	16.5	13.7	11.5	9.8	8.5	7.4	6.5	5.7			
A35 3 1/2" Round Straight Aluminum Pole	7 3/4	0.197	5.4	4.7	3.5	2.6	1.9	1.4	1.1	0.8	0.7	-	-	12 12ft		
S35 3 1/2" Round Straight Steel Pole	7 3/4	0.125	8.6	7.5	5.7	4.4	3.5	2.7	2.2	1.9	1.6	1.3	1.1			
S635 6" to 3 1/2" Round Straight Stepped Steel Pole	9	0.125	23.6	21.0	16.9	13.7	11.3	9.4	8.0	6.9	6.0	5.2	4.6			
A35 3 1/2" Round Straight Aluminum Pole	7 3/4	0.197	3.8	3.2	2.2	1.5	0.9	-	-	-	-	-	-	14 14ft		
S35 3 1/2" Round Straight Steel Pole	7 3/4	0.125	6.3	5.4	4.0	3.0	2.2	1.6	1.2	1.0	0.8	0.6	-			
S635 6" to 3 1/2" Round Straight Stepped Steel Pole	9	0.125	18.2	16.2	13.1	10.5	8.6	7.0	5.9	5.0	4.4	3.8	3.3			
A35 3 1/2" Round Straight Aluminum Pole	7 3/4	0.197	2.7	2.2	1.3	0.7	-	-	-	-	-	-	-	16 16ft		
S35 3 1/2" Round Straight Steel Pole	7 3/4	0.125	5.1	4.3	3.1	2.1	1.4	0.9	0.6	-	-	-	-			
S635 6" to 3 1/2" Round Straight Stepped Steel Pole	9	0.125	15.6	13.9	11.2	8.9	7.1	5.7	4.8	4.0	3.5	3.0	2.6			
A35 3 1/2" Round Straight Aluminum Pole	7 3/4	0.125	4.2	3.4	2.2	1.4	0.8	-	-	-	-	-	-	18 16ft		
AT535 5" to 3 1/2" Round tapered Aluminum Pole	8 5/8	0.188	8.9	7.6	5.7	4.3	3.3	2.6	2.1	1.7	1.4	1.2	1.0			
S635 6" to 3 1/2" Round Straight Stepped Steel Pole	9	0.125	13.7	12.2	9.5	7.5	5.9	4.6	3.8	3.2	2.7	2.3	2.0			
AT535 5" to 3 1/2" Round tapered Aluminum Pole	8 5/8	0.188	7.3	6.2	4.4	3.2	2.3	1.7	1.4	1.1	0.9	-	-	20 20ft		
S635 6" to 3 1/2" Round Straight Stepped Steel Pole	9	0.125	12.1	10.8	8.2	6.3	4.8	3.7	2.9	2.4	2.0	1.7	1.4			

**Notes:**  
 1. Maximum EPA ratings certified in accordance with AASHTO 2013 (LTS-6-13) for 3-s gust wind speeds based on Allowable Stress Design (ASD) analysis  
 2. Consult factory for equivalent Load and Resistance Factor Design (LRFD) wind speeds  
 3. Rated performance is dependent upon the pole being properly attached to a supporting foundation of adequate design  
 \*The EPA capacity of a S35 pole is reduced with receptacle option. Consult factory for S35 EPA capacity with receptacle.

**Round Pole Motion Sensor**

The Selux outdoor rated sensor incorporates Passive Infrared (PIR) Technology for motion sensing and also includes built-in photocell. Sensor comes pre-installed in cast aluminum housing painted to match pole finish.

Series	Hand Hole Orientation	Dim Level	Photocell Feature	Voltage
<b>MS</b> Motion Sensor	<b>00</b> 0° Clockwise from Hand Hole	<b>D0</b> (Off)	<b>Y</b> Yes	<b>UNV</b> (100-347VAC single phase or 208/230/480VAC phase-to-phase)
	<b>09</b> 90° Clockwise from Hand Hole	<b>D1</b> (1V=10%)		
	<b>18</b> 180° Clockwise from Hand Hole	<b>D3</b> (3V=30%)	<b>N</b> No	
	<b>27</b> 270° Clockwise from Hand Hole	<b>D5</b> (5V=50%)		

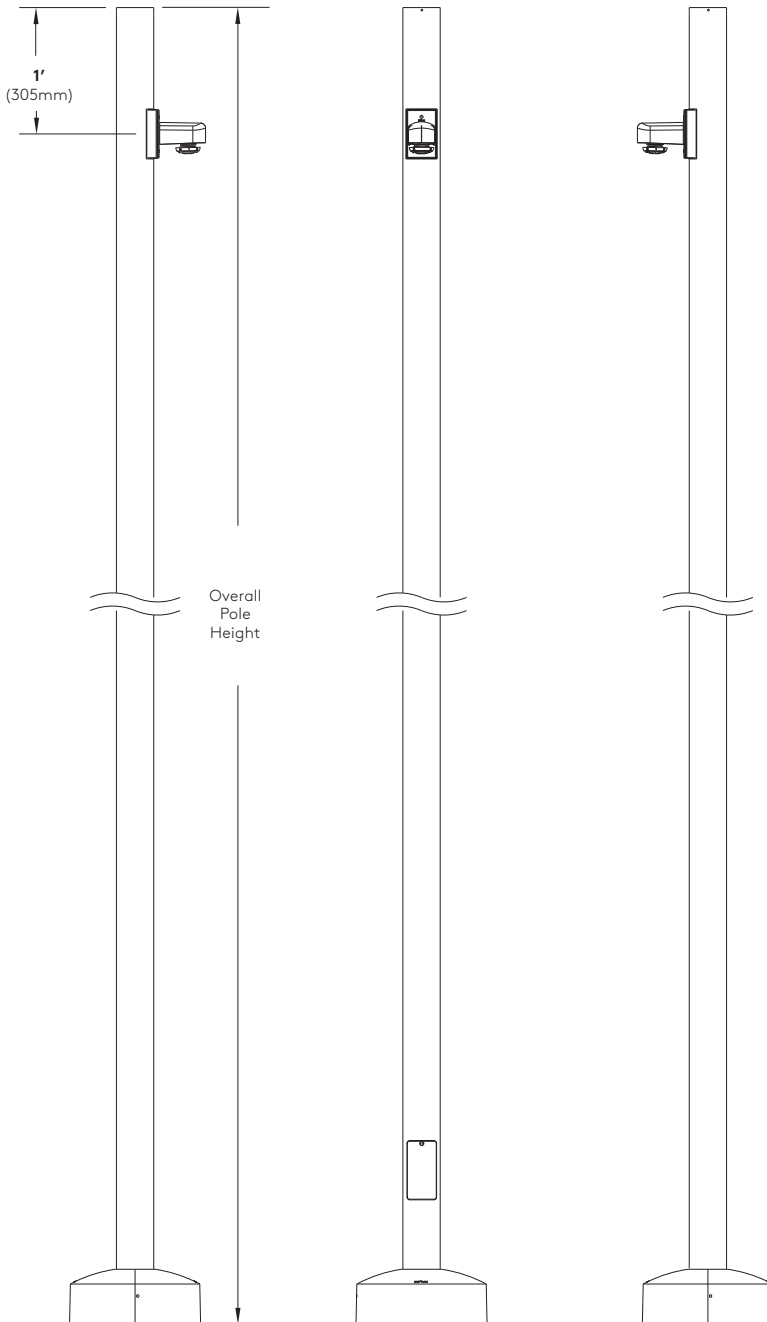
**Factory Defaults:**

Delay to Dim: 5 minutes

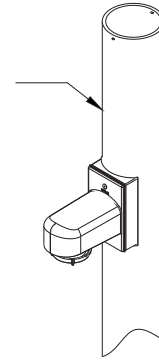
Delay to Off: 1 hour

Sensitivity: Max

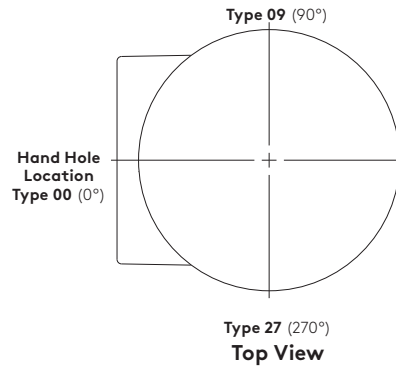
Custom Programming: Consult Factory



General Pole Drawing For Example Only.



Sensor angular orientation from hand hole 0°  
90° increments clockwise around pole (Type 00, 09, 18, 27)



**Motion Sensor Features**

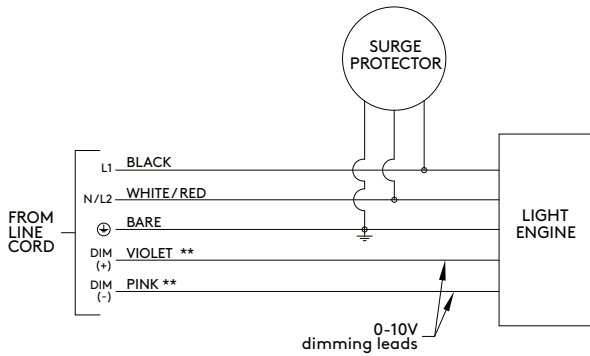
- Customize programming using smartphone application (Refer to the FSP-321 at [www.wattstopper.com](http://www.wattstopper.com)).
- 5 Year Warranty.
- 100% Digital PIR Detection, excellent RF Immunity.
- 270° coverage pattern.
- IP66 Rated for outdoor applications.
- Made for LED light source.
- Adjustable time delays, max/min dim levels, and ramp rates.
- Suitable for Title 24 applications.

(For coverage details refer to wattstopper FSP-321 spec sheet at [www.wattstopper.com](http://www.wattstopper.com)).

Wiring Diagrams

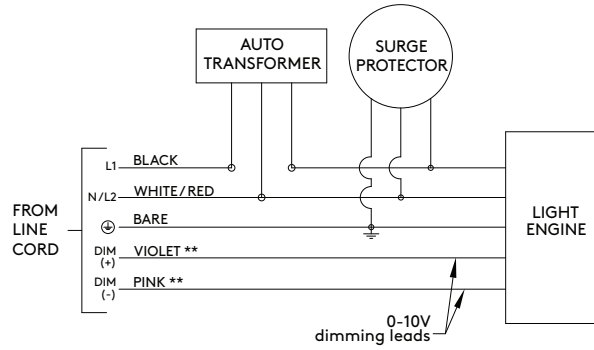
**Standard Wiring (120V-277V)**

\*\*When dimming is not required cap dimming wires.



**Standard Wiring (347/480V with Step-down Transformer)**

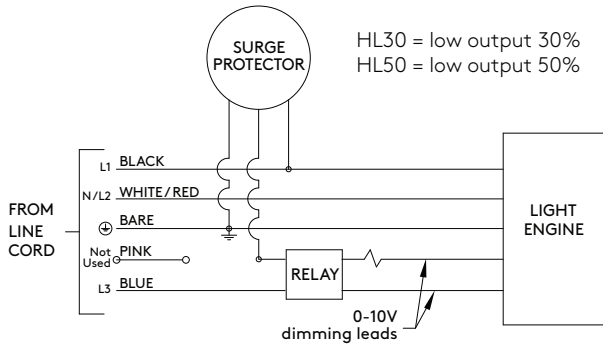
\*\*When dimming is not required cap dimming wires.



**Hi-Lo Switching Option (HL) Wiring HL30 & HL50 Only**

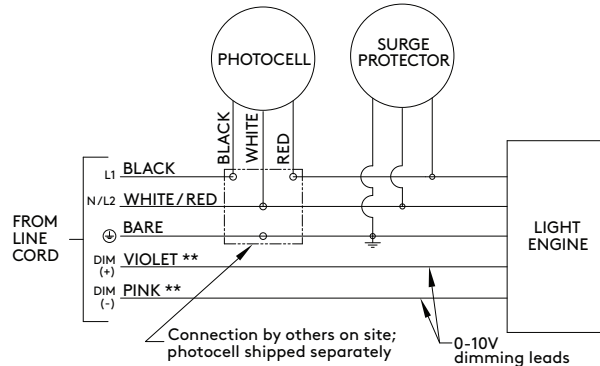
120V, 240V, 277V. When blue is energized, light output will be at "Lo" level. Specify low-level by using one of the 2 levels listed below ( i.e. HL30 or HL50). For other combinations, consult factory

HL30 = low output 30%  
HL50 = low output 50%



**Photocell Option (PCT) Wiring**

\*\*When dimming is not required cap dimming wires.

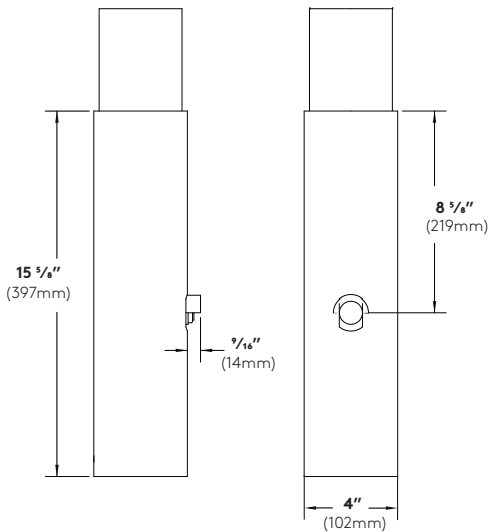
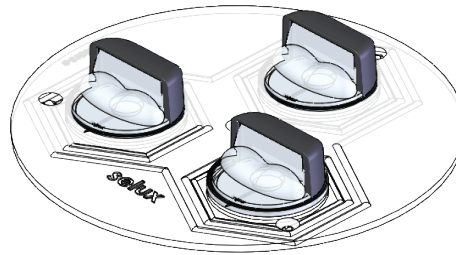


Wire Designation Table		
Source Voltage (VAC)	Wire Color	Wire Designation
120V, 277V, or 347V	Black	L1
	White	Neutral
208V, 240V, or 480V	Black	L1
	Red	L2
UNV (120V-277V)	Black	L1
	White	Neutral (120/277V) or L2 (208/240V)

**Optional Accessories**

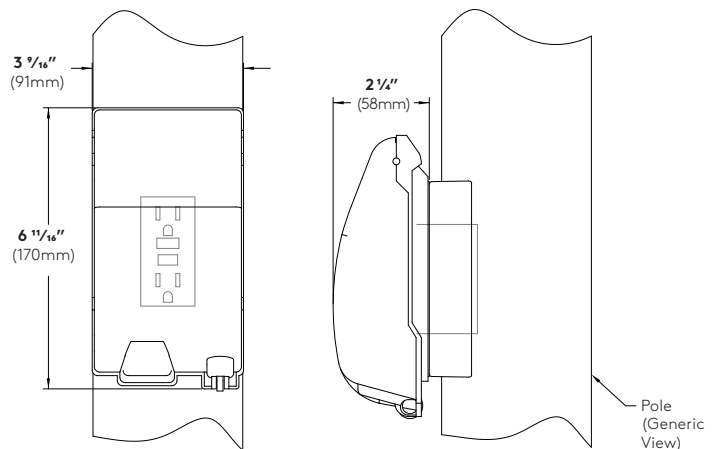
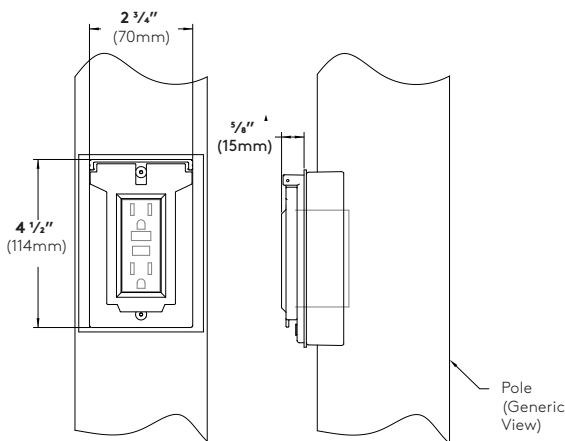
**Photo Cell Tenon (PCT)** - Button type photocell mounted in cast aluminum pole top tenon. Tenon has integral cast visor to prevent false start/stop cycle and can be oriented for optimum performance. Refer to luminaire spec sheet to determine if this option is applicable.

**House Side Shield (HS)** - 180° micro house side shield reduces light levels to <0.1 fc at approximately one mounting height behind luminaire.



**REC and REC3**

**REC2 and REC4**



Cover shown in the closed position

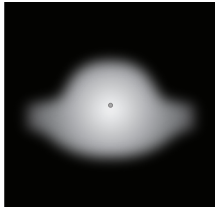
Cover shown in the closed position

**GFCI Duplex Receptacle (REC)** - 120V 15A GFCI duplex receptacle with weatherproof, self-closing cover; located 36" (914mm) o.c. from base of pole, in-line with hand hole. Receptacle is intended only for portable tools or other portable equipment to be connected to outlet only when attended by operating personnel (120V only).

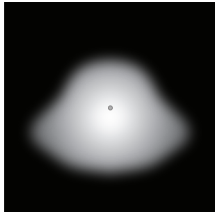
**GFCI Duplex Receptacle (REC2)** - 120V 15A GFCI duplex receptacle with weatherproof, self-closing, padlockable in-use cover; located 36" (914mm) o.c. from base of pole, in-line with hand hole. Receptacle is intended only for portable tools or other portable equipment to be connected to outlet only when attended by operating personnel (120V only).

**USB & GFCI Duplex Receptacle (REC3)** (not shown) - 120V 15A GFCI duplex receptacle with USB combination ports. (1) USB Type-A and (1) USB Type-C port share 2.0A charging capacity between both ports. Includes weatherproof, self-closing cover; located 36" (914mm) o.c. from base of pole, in-line with hand hole. Receptacle is intended only for portable tools or other portable equipment to be connected to outlet only when attended by operating personnel.

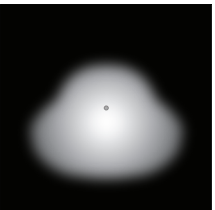
**USB & GFCI Duplex Receptacle (REC4)** (not shown) - 120V 15A GFCI duplex receptacle with USB combination ports. (1) USB Type-A and (1) USB Type-C port share 2.0A charging capacity between both ports. Includes weatherproof, self-closing padlockable in-use cover; located 36" (914mm) o.c. from base of pole, in-line with hand hole. Receptacle is intended only for portable tools or other portable equipment to be connected to outlet only when attended by operating personnel.



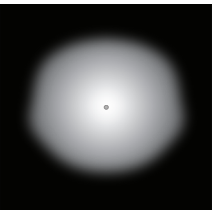
R1 - Distribution Type I					
Light Engine	Lumens	CCT	Input Watts	lm/W	BUG Rating
5G450	4352	3000K	39	112	B1-U0-G1
5G700	6537	3000K	62	105	B2-U0-G2
5G105	9101	3000K	94	97	B2-U0-G1



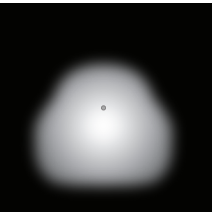
R2 - Distribution Type II					
Light Engine	Lumens	CCT	Input Watts	lm/W	BUG Rating
5G450	4416	3000K	39	113	B1-U0-G1
5G700	6634	3000K	62	107	B2-U0-G1
5G105	9306	3000K	94	99	B2-U0-G2



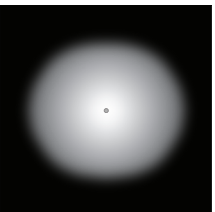
R3 - Distribution Type III					
Light Engine	Lumens	CCT	Input Watts	lm/W	BUG Rating
5G450	4414	3000K	39	113	B1-U0-G1
5G700	6634	3000K	62	107	B2-U0-G1
5G105	9306	3000K	94	99	B2-U0-G2



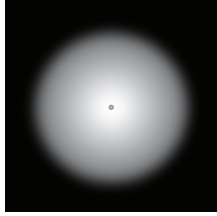
R3W - Distribution Type III					
Light Engine	Lumens	CCT	Input Watts	lm/W	BUG Rating
5G450	4479	3000K	39	115	B2-U0-G1
5G700	6758	3000K	62	109	B2-U0-G2
5G105	9494	3000K	94	101	B3-U0-G2



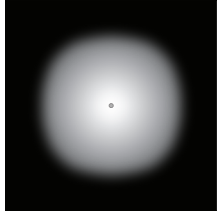
R4 - Distribution Type IV					
Light Engine	Lumens	CCT	Input Watts	lm/W	BUG Rating
5G450	4423	3000K	39	113	B1-U1-G1
5G700	6634	3000K	62	107	B2-U1-G1
5G105	9306	3000K	94	99	B2-U1-G2



R5Q - Distribution Type V					
Light Engine	Lumens	CCT	Input Watts	lm/W	BUG Rating
5G450	4475	3000K	39	115	B2-U0-G2
5G700	6758	3000K	62	109	B2-U0-G2
5G105	9494	3000K	94	101	B3-U0-G3



R5R - Distribution Type V					
Light Engine	Lumens	CCT	Input Watts	lm/W	BUG Rating
5G450	4548	3000K	39	117	B2-U0-G2
5G700	6820	3000K	62	110	B3-U0-G3
5G105	9588	3000K	94	102	B3-U0-G3



R5S - Distribution Type V					
Light Engine	Lumens	CCT	Input Watts	lm/W	BUG Rating
5G450	4517	3000K	39	116	B2-U0-G2
5G700	6820	3000K	62	110	B3-U0-G3
5G105	9588	3000K	94	102	B3-U0-G3

TM-21 Lifetime Calculation						
Light Engine	Ambient Temp (°C)	Lumen Maintenance (% at hours)				Reported L <sub>70</sub>
		25k <sup>1</sup>	50k <sup>1</sup>	75k <sup>2</sup>	100k <sup>2</sup>	
5G450	25°C	99.8%	99.8%	99.8%	99.8%	L <sub>70</sub> (12k) > 70,000 hours
	40°C	99.8%	99.8%	99.8%	99.8%	L <sub>70</sub> (12k) > 70,000 hours
5G700	25°C	99.8%	99.8%	99.8%	99.8%	L <sub>70</sub> (12k) > 70,000 hours
	40°C	99.8%	99.8%	99.8%	99.8%	L <sub>70</sub> (12k) > 70,000 hours
5G105	25°C	99.8%	99.8%	99.8%	99.8%	L <sub>70</sub> (12k) > 70,000 hours
	40°C	99.8%	99.8%	99.8%	99.8%	L <sub>70</sub> (12k) > 70,000 hours

<sup>1</sup> Calculated in accordance with IESNA TM-21-11, projected values are within six times (6x) the IESNA LM-80-08 test duration

<sup>2</sup> Thermal measurements based on Order Code: LRC-10-AS-D12-30-BL-480-CF

Date: \_\_\_\_\_ Customer: \_\_\_\_\_  
 Project: \_\_\_\_\_  
 Type: \_\_\_\_\_ Qty: \_\_\_\_\_

**selux**

WAKE ROBIN INN  
 104-106 SHARON ROAD  
 SALISBURY, CT  
 SA3H

**Saturn Cutoff 2 LED**



**Order Code:** SAC2L - R3 - 1 - 5G450 - 27 - 12 - FIN - VOLT - HS

**Pole Order Code:** A35 - 12 - FIN - VOLT-BC5

SAC2L	Series	SAC2L Saturn Cutoff 2 LED								
	Optics	R1 Type I	R2 Type II	R3 Type III	R3W Type III (Wide)	R4 Type IV	R5R Type V (Round)	R5S Type V (Square)	R5Q Type V (Rectangular)	
	Mounting	1 Single	1A Single Arm Mount	2 Double	W Wall Mount					
	Light Engine	5G450 39W/4352lm	5G700 62W/6537lm	5G105 94W/9101lm						<sup>*</sup> Based on R1 distribution in 3000K CCT.
	CCT	27 <sup>1</sup> 2700K	30 <sup>1</sup> 3000K	40 4000K						<sup>1</sup> DarkSky approved. <sup>*</sup> For other CCTs please consult factory.
	Power Cord Length	08 8'	10 10'	12 12'	14 14'	16 16'	18 18'	XX <sup>2</sup> XX		<sup>*</sup> For 1 mounting use the pole height. For 1A or 2 mounting use the pole height +2. <sup>2</sup> Specify number of feet in whole foot increments.
	Finish	WH White	BK Black	BL Semi-Matte Black	BZ Bronze	SV Silver	SP Specify Premium Color			
	Voltage	120 120V	240 240V	277 277V	347 <sup>3</sup> 347V	480 <sup>3</sup> 480V				<sup>3</sup> Equipped with step-down transformer.
	Options	DM <sup>5</sup> Dimming (0-10V)	HS <sup>4</sup> House Side Shield (180°)	HL30 <sup>5,6</sup> Hi-Lo Switching Low Output 30%	HL50 <sup>5,6</sup> Hi-Lo Switching Low Output 50%	PCT <sup>7</sup> Photocell Tenon	MS <sup>5,7</sup> Pole Motion Sensor with Optional Photocell (See pagr 3 for order code)			<sup>4</sup> Type I, II, III, and IV only. <sup>5</sup> DM, HLXX, or MS only. Cannot be combined. <sup>6</sup> 120V, 240V, or 277V only. <sup>7</sup> PCT or MS only. Cannot be combined.

**Product Modifications**

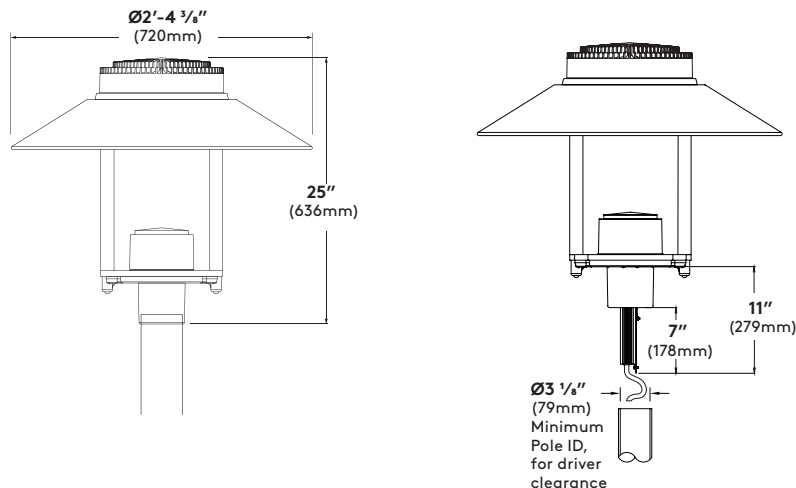
Please list modification requirements for review by factory:

**Approvals**

Date:



## SAC2L-1-XX-DS



### Specifications

**Luminaire Cover** - Die cast aluminum cover made from low copper alloy, designed to ensure optimal thermal management for extra long lifetime of LED light engine.

**Gasketing** - Continuous gasket provides weatherproofing, dust, and insect control at all fixture connections.

**Luminaire Hood** - Aluminum shade with white painted interior.

**LED Array** - High flux LEDs mounted to PC boards and attached to aluminum heat sink for maximum LED performance and life. CCT tolerance ¼ step binning for 3000K and 4000K. CRI minimum 80. Complete light engine can be removed easily for future upgrade. LED light engine provides a reported lumen maintenance of 93% at 50,000 hours. L70 calculated greater than 100,000 hours.

**LED Optics** - Technical Optics (R1, R2, R3, R3W, R4, R5S, R5Q, and R5R) use Selux signature Gen5 light pattern acrylic lens holder to secure proprietary silicone optics. Micro house side shield available for distributions types I, II, III, and IV.

**LED Driver** - LEDs are driven by RoHS compliant constant current programmable LED driver. Driver includes 0-10V dimming to 10%, meets the requirements of IP66. Driver assembly located inside the head.

**Hood Supports** - Two aluminum arms support shade and optic assembly and attach to the die cast aluminum pole fitter.

**Pole Fitter** - Self-leveling, die cast low-copper aluminum alloy, fitter base secured to pole with three stainless steel Allen head set screws. Fitter for 3 ½" (90mm) O.D. poles.

**Driver cover** - Die cast aluminum cover made from low copper alloy, removes for toolless access to driver. Driver secured to removable tray for ease of maintenance.

**Surge Protector** - Designed to protect luminaire from electrical surge (20kA).

**Power Cord** - Pre-installed at factory. Please specify power cord length in accordance to height of the pole. Add 2 feet to power cord length or if Single Arm Mount (1A) or Double Mount (2).

**Exterior Luminaire Finish** - Selux utilizes a high quality Polyester Powder Coating. All Selux luminaires and poles are finished in our Tiger Drylac certified facility and undergo a five stage intensive pretreatment process where product is thoroughly cleaned, phosphated and sealed. Selux powder coated products provide excellent salt and humidity resistance as well as ultraviolet resistance for color retention. All products are tested in accordance with test specifications for coatings from ASTM and PCI.

Standard exterior colors are White (WH), Black (BK), Semi-Matte Black (BL), Bronze (BZ), and Silver (SV). Selux premium colors (SP) are available, please specify from your Selux color selection guide.

### 5 Year Limited LED Luminaire Warranty -

Selux offers a 5 Year Limited Warranty to the original purchaser that the Saturn Cutoff 2 LED luminaire shall be free from defects in material and workmanship for up to five (5) years from date of shipment. This limited warranty covers the LED driver and LED array when installed and operated according to Selux instructions. For details, see "Selux Terms and Condition of Sale."

**Listings and Ratings:** Luminaire and LED tested to IP65 and IESNA LM-79-08 standards. LED tested to LM-80 standards. Luminaire and LED tested at 25°C ambient temperature.

**Luminaire suitable for ambient temperature of 45°C. Minimum operating temperature of luminaire at -40°C (-40°F).**

**NRTL Listed (i.e. UL, CSA).**

**Visit [selux.us](http://selux.us) for our LED End of Life recycling policy.**

**For Buy American compliance on poles, please consult the factory.**

**Mounting**

**Single (1)**  
Die cast aluminum fitter base secured to pole with three stainless steel Allen head set screws.

EPA = 0.8ft<sup>2</sup> (0.08m<sup>2</sup>)  
Weight = 39lbs. (17.7kg)

**Single Arm Mount (1A)**  
Die cast aluminum single luminaire mounting arm secured to pole with four stainless steel Allen head set screws. Outer slip fitter for Ø3½" tenon.

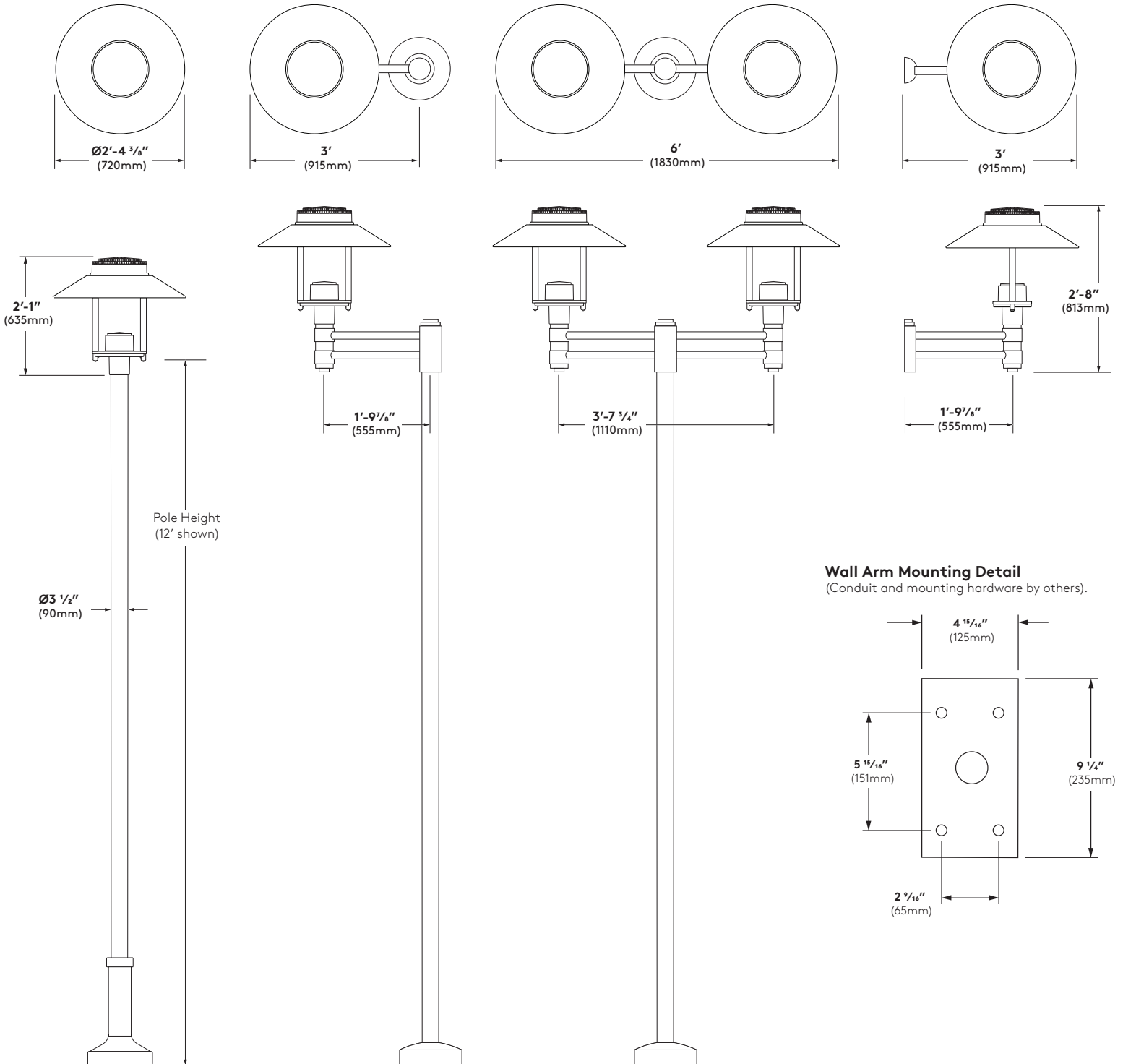
EPA = 1.3ft<sup>2</sup> (0.12m<sup>2</sup>)  
Weight = 53lbs. (24.0kg)

**Double (2)**  
Die cast aluminum double luminaire mounting arm secured to pole with four stainless steel Allen head set screws. Outer slip fitter for Ø3½" tenon.

EPA = 2.4ft<sup>2</sup> (0.22m<sup>2</sup>)  
Weight = 100lbs. (79.8kg)

**Wall (W)**  
Die cast aluminum double round wall mount arm. Secured to wall with ¼" diameter threaded fasteners (by others).

EPA = 1.2ft<sup>2</sup> (0.11m<sup>2</sup>)  
Weight = 50lbs. (22.7kg)

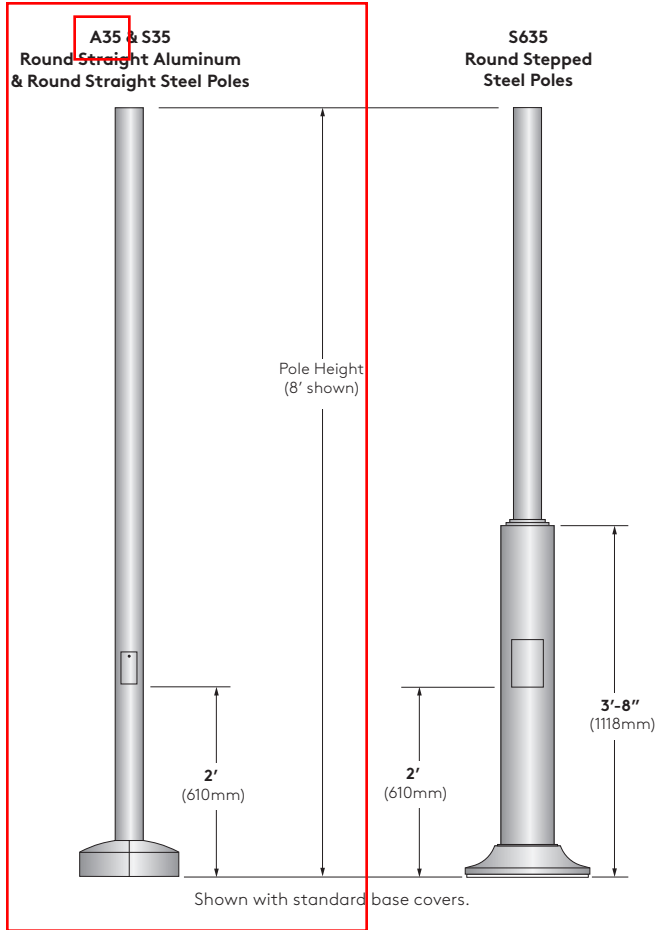


**Pole Information**

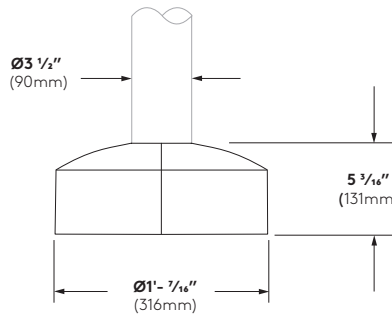
Refer to pole specification sheets for construction details, anchorage information and additional options.

**Base Cover Information**

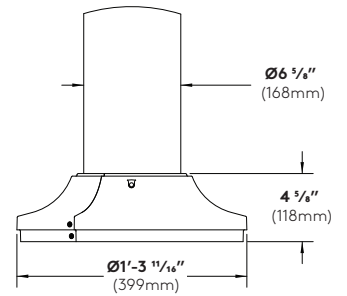
Refer to pole specification sheets for construction details, anchorage information and additional options.



**Standard Base Cover (BC5)**  
Supplied with A35 and S35  
Two-piece cast aluminum

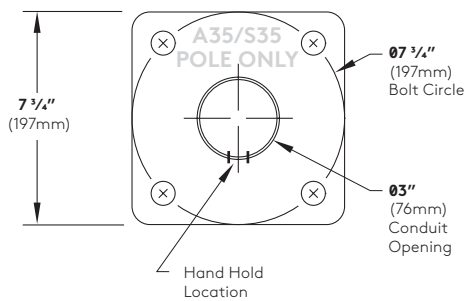


**Standard Base Cover (BC6)**  
Supplied with S635  
Two-piece cast aluminum



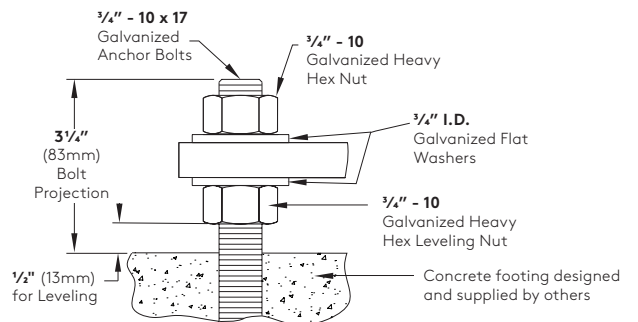
**Bolt Circle for A35 & S35**

Use caution when setting anchor bolts. Bolts must be vertically straight and centered on dimensions shown



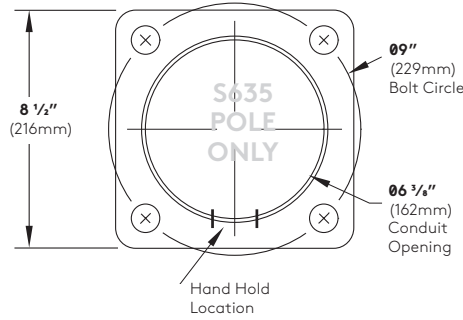
**Note:** Adequate drainage must be provided in concrete foundation.

**Anchor Bolt Detail for A35 & S35**

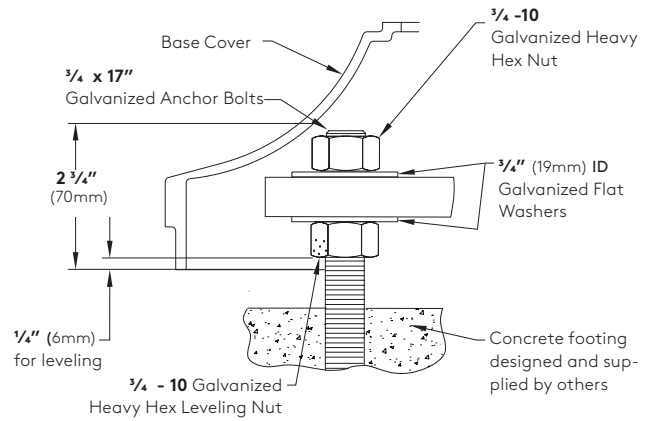


**Bolt Circle for S635**

Use caution when setting anchor bolts. Bolts must be vertically straight and centered on dimensions shown.



**Anchor Bolt Detail for S635**



Note: Adequate drainage must be provided in concrete foundation.

**Pole Data Chart**

Pole Series	Bolt Circle (in)	Wall (in)	Maximum EPA Rating (ft²) / Wind Speed (mph)											Height	Finish	Options
			85	90	100	110	120	130	140	150	160	170	180			
A35 3 1/2" Round Straight Aluminum Pole	7 3/4	0.197	8.7	7.7	6.0	4.8	3.9	3.1	2.6	2.2	1.9	1.7	1.5	8ft 8ft	WH White BK Black BL Semi-Matte Black BZ Bronze SV Silver	BC3 Decorative Cast Aluminum Base Cover (AT535) BC5 Decorative Cast Aluminum Base Cover (A35 and S35) BC6 Decorative Cast Aluminum Base Cover (S635) REC* GFCI Duplex Receptacle with weatherproof cover. REC2* GFCI Duplex Receptacle with padlockable in-use cover. REC3* USB and Duplex Receptacle with weatherproof cover. REC4* USB and Duplex Receptacle with padlockable in-use cover. MS Motion Sensor with optional Photocell (Meets Title 24 Requirements).
S35 3 1/2" Round Straight Steel Pole	7 3/4	0.125	13.1	11.5	9.2	7.4	6.0	5.0	4.2	3.6	3.2	2.8	2.4			
S635 6" to 3 1/2" Round Straight Stepped Steel Pole	9	0.125	34.4	30.6	24.6	20.2	16.8	14.2	12.2	10.5	9.2	8.1	7.2			
A35 3 1/2" Round Straight Aluminum Pole	7 3/4	0.197	6.9	6.0	4.6	3.6	2.8	2.2	1.8	1.5	1.2	1.0	0.9	10 10ft	SP Specify Pre-mium Color	
S35 3 1/2" Round Straight Steel Pole	7 3/4	0.125	10.5	9.2	7.2	5.7	4.6	3.7	3.1	2.6	2.3	2.0	1.7			
S635 6" to 3 1/2" Round Straight Stepped Steel Pole	9	0.125	28.5	23.5	20.2	16.5	13.7	11.5	9.8	8.5	7.4	6.5	5.7			
A35 3 1/2" Round Straight Aluminum Pole	7 3/4	0.197	5.4	4.7	3.5	2.6	1.9	1.4	1.1	0.8	0.7	-	-	12 12ft		
S35 3 1/2" Round Straight Steel Pole	7 3/4	0.125	8.6	7.5	5.7	4.4	3.5	2.7	2.2	1.9	1.6	1.3	1.1			
S635 6" to 3 1/2" Round Straight Stepped Steel Pole	9	0.125	23.6	21.0	16.9	13.7	11.3	9.4	8.0	6.9	6.0	5.2	4.6			
A35 3 1/2" Round Straight Aluminum Pole	7 3/4	0.197	3.8	3.2	2.2	1.5	0.9	-	-	-	-	-	-	14 14ft		
S35 3 1/2" Round Straight Steel Pole	7 3/4	0.125	6.3	5.4	4.0	3.0	2.2	1.6	1.2	1.0	0.8	0.6	-			
S635 6" to 3 1/2" Round Straight Stepped Steel Pole	9	0.125	18.2	16.2	13.1	10.5	8.6	7.0	5.9	5.0	4.4	3.8	3.3			
A35 3 1/2" Round Straight Aluminum Pole	7 3/4	0.197	2.7	2.2	1.3	0.7	-	-	-	-	-	-	-	16 16ft		
S35 3 1/2" Round Straight Steel Pole	7 3/4	0.125	5.1	4.3	3.1	2.1	1.4	0.9	0.6	-	-	-	-			
S635 6" to 3 1/2" Round Straight Stepped Steel Pole	9	0.125	15.6	13.9	11.2	8.9	7.1	5.7	4.8	4.0	3.5	3.0	2.6			
A35 3 1/2" Round Straight Aluminum Pole	7 3/4	0.125	4.2	3.4	2.2	1.4	0.8	-	-	-	-	-	-	18 16ft		
S35 3 1/2" Round Straight Steel Pole	7 3/4	0.125	4.2	3.4	2.2	1.4	0.8	-	-	-	-	-	-			
S635 6" to 3 1/2" Round Straight Stepped Steel Pole	9	0.125	15.6	13.9	11.2	8.9	7.1	5.7	4.8	4.0	3.5	3.0	2.6			
AT535 5" to 3 1/2" Round tapered Aluminum Pole	8 5/8	0.188	8.9	7.6	5.7	4.3	3.3	2.6	2.1	1.7	1.4	1.2	1.0	20 20ft		
S635 6" to 3 1/2" Round Straight Stepped Steel Pole	9	0.125	13.7	12.2	9.5	7.5	5.9	4.6	3.8	3.2	2.7	2.3	2.0			
AT535 5" to 3 1/2" Round tapered Aluminum Pole	8 5/8	0.188	7.3	6.2	4.4	3.2	2.3	1.7	1.4	1.1	0.9	-	-	20 20ft		
S635 6" to 3 1/2" Round Straight Stepped Steel Pole	9	0.125	12.1	10.8	8.2	6.3	4.8	3.7	2.9	2.4	2.0	1.7	1.4			

**Notes:**  
 1. Maximum EPA ratings certified in accordance with AASHTO 2013 (LTS-6-13) for 3-s gust wind speeds based on Allowable Stress Design (ASD) analysis  
 2. Consult factory for equivalent Load and Resistance Factor Design (LRFD) wind speeds  
 3. Rated performance is dependent upon the pole being properly attached to a supporting foundation of adequate design  
 \*The EPA capacity of a S35 pole is reduced with receptacle option. Consult factory for S35 EPA capacity with receptacle.

**Round Pole Motion Sensor**

The Selux outdoor rated sensor incorporates Passive Infrared (PIR) Technology for motion sensing and also includes built-in photocell. Sensor comes pre-installed in cast aluminum housing painted to match pole finish.

Series	Hand Hole Orientation	Dim Level	Photocell Feature	Voltage
<b>MS</b> Motion Sensor	<b>00</b> 0° Clockwise from Hand Hole	<b>D0</b> (Off)	Y Yes	<b>UNV</b> (100-347VAC single phase or 208/230/480VAC phase-to-phase)
	<b>09</b> 90° Clockwise from Hand Hole	<b>D1</b> (1V=10%)		
	<b>18</b> 180° Clockwise from Hand Hole	<b>D3</b> (3V=30%)	N No	
	<b>27</b> 270° Clockwise from Hand Hole	<b>D5</b> (5V=50%)		

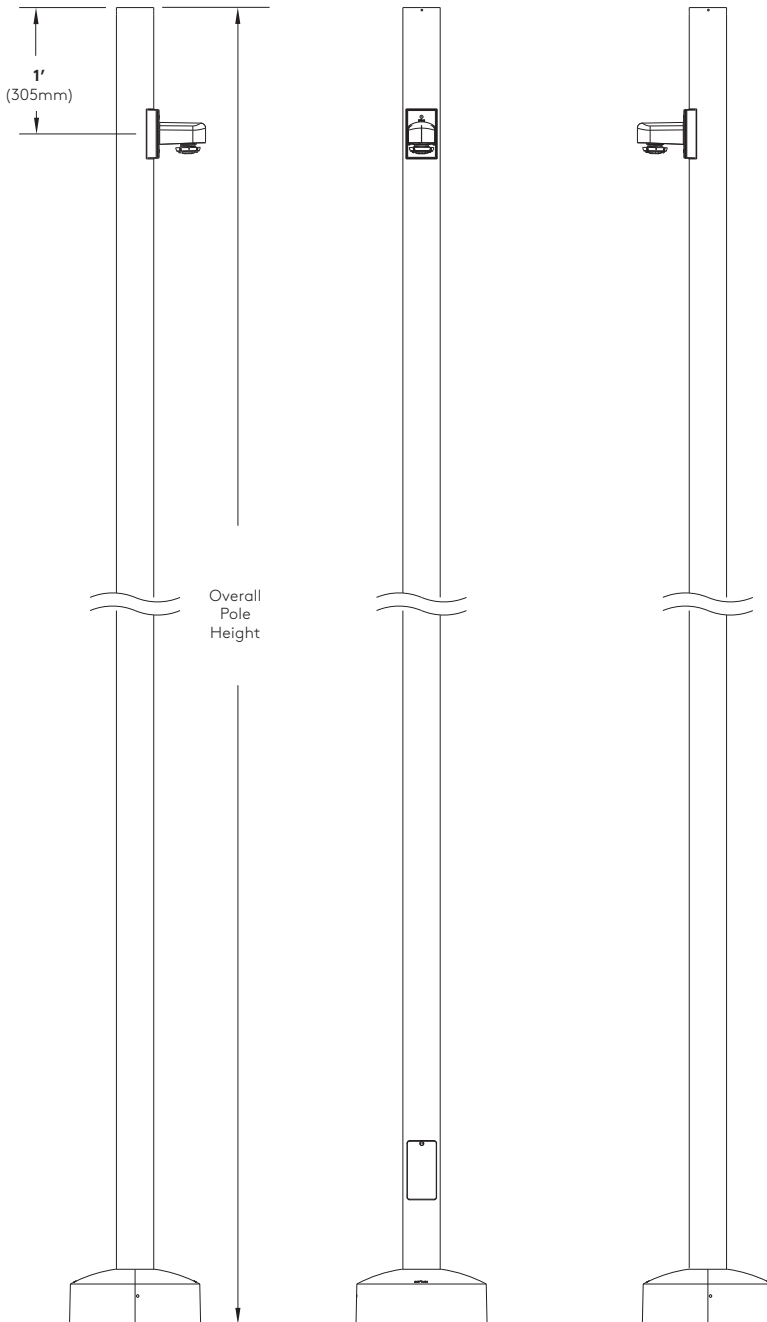
**Factory Defaults:**

Delay to Dim: 5 minutes

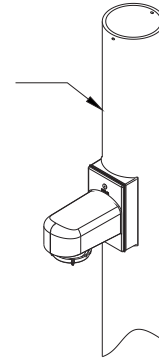
Delay to Off: 1 hour

Sensitivity: Max

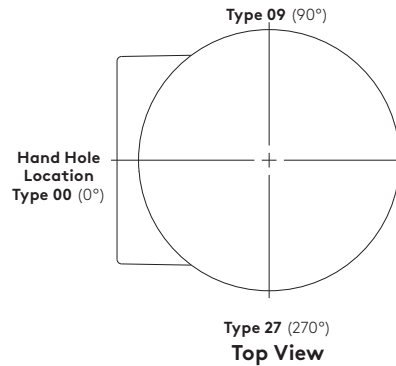
Custom Programming: Consult Factory



General Pole Drawing For Example Only.



Sensor angular orientation from hand hole 0°  
90° increments clockwise around pole (Type 00, 09, 18, 27)



**Motion Sensor Features**

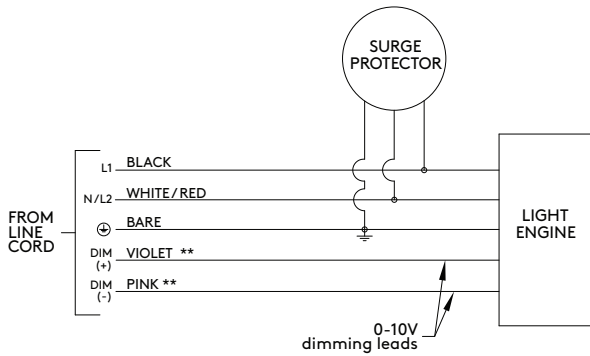
- Customize programming using smartphone application (Refer to the FSP-321 at [www.wattstopper.com](http://www.wattstopper.com)).
- 5 Year Warranty.
- 100% Digital PIR Detection, excellent RF Immunity.
- 270° coverage pattern.
- IP66 Rated for outdoor applications.
- Made for LED light source.
- Adjustable time delays, max/min dim levels, and ramp rates.
- Suitable for Title 24 applications.

(For coverage details refer to wattstopper FSP-321 spec sheet at [www.wattstopper.com](http://www.wattstopper.com)).

Wiring Diagrams

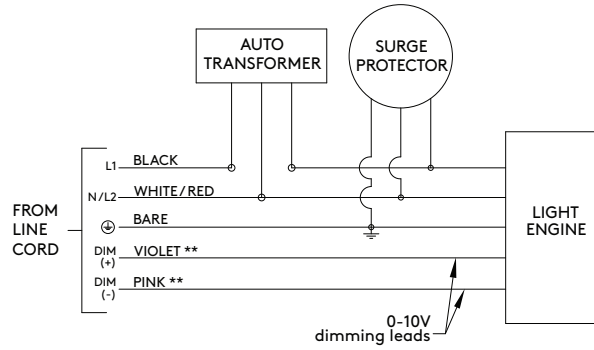
**Standard Wiring (120V-277V)**

\*\*When dimming is not required cap dimming wires.



**Standard Wiring (347/480V with Step-down Transformer)**

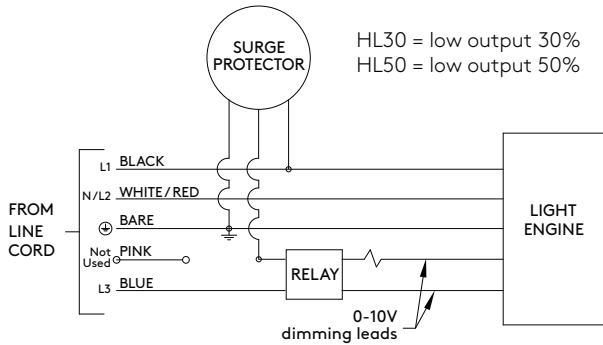
\*\*When dimming is not required cap dimming wires.



**Hi-Lo Switching Option (HL) Wiring HL30 & HL50 Only**

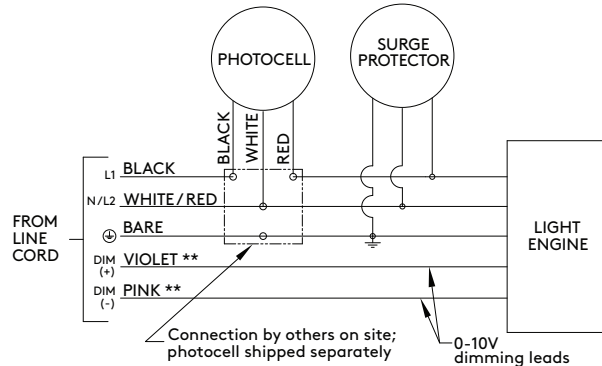
120V, 240V, 277V. When blue is energized, light output will be at "Lo" level. Specify low-level by using one of the 2 levels listed below ( i.e. HL30 or HL50). For other combinations, consult factory

HL30 = low output 30%  
HL50 = low output 50%



**Photocell Option (PCT) Wiring**

\*\*When dimming is not required cap dimming wires.

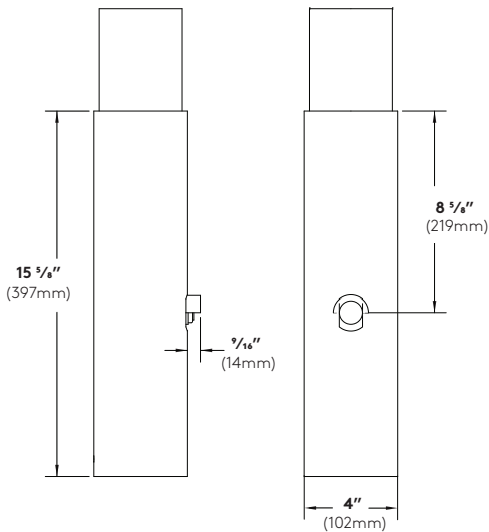
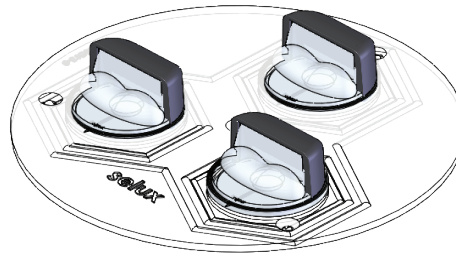


Wire Designation Table		
Source Voltage (VAC)	Wire Color	Wire Designation
120V, 277V, or 347V	Black	L1
	White	Neutral
208V, 240V, or 480V	Black	L1
	Red	L2
UNV (120V-277V)	Black	L1
	White	Neutral (120/277V) or L2 (208/240V)

**Optional Accessories**

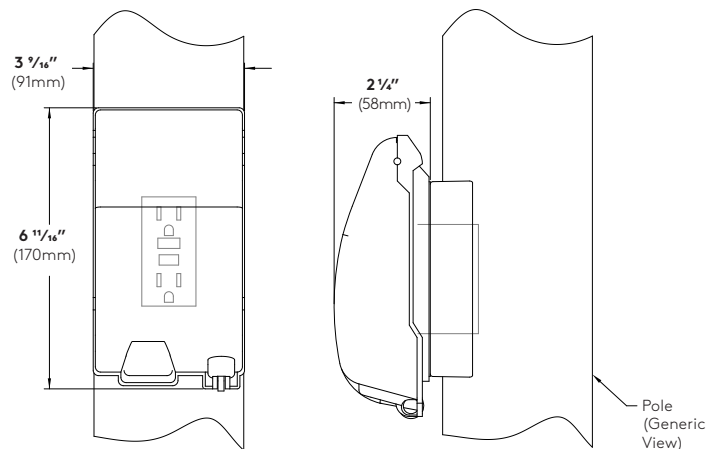
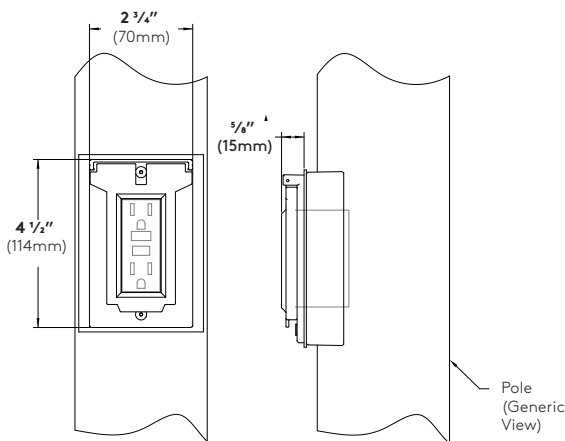
**Photo Cell Tenon (PCT)** - Button type photocell mounted in cast aluminum pole top tenon. Tenon has integral cast visor to prevent false start/stop cycle and can be oriented for optimum performance. Refer to luminaire spec sheet to determine if this option is applicable.

**House Side Shield (HS)** - 180° micro house side shield reduces light levels to <0.1 fc at approximately one mounting height behind luminaire.



**REC and REC3**

**REC2 and REC4**



Cover shown in the closed position

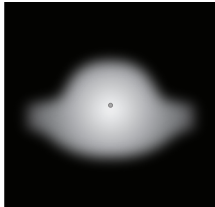
Cover shown in the closed position

**GFCI Duplex Receptacle (REC)** - 120V 15A GFCI duplex receptacle with weatherproof, self-closing cover; located 36" (914mm) o.c. from base of pole, in-line with hand hole. Receptacle is intended only for portable tools or other portable equipment to be connected to outlet only when attended by operating personnel (120V only).

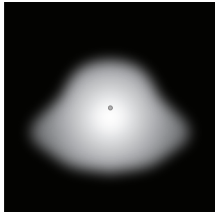
**GFCI Duplex Receptacle (REC2)** - 120V 15A GFCI duplex receptacle with weatherproof, self-closing, padlockable in-use cover; located 36" (914mm) o.c. from base of pole, in-line with hand hole. Receptacle is intended only for portable tools or other portable equipment to be connected to outlet only when attended by operating personnel (120V only).

**USB & GFCI Duplex Receptacle (REC3)** (not shown) - 120V 15A GFCI duplex receptacle with USB combination ports. (1) USB Type-A and (1) USB Type-C port share 2.0A charging capacity between both ports. Includes weatherproof, self-closing cover; located 36" (914mm) o.c. from base of pole, in-line with hand hole. Receptacle is intended only for portable tools or other portable equipment to be connected to outlet only when attended by operating personnel.

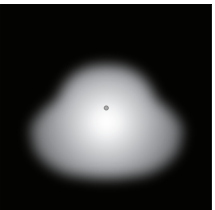
**USB & GFCI Duplex Receptacle (REC4)** (not shown) - 120V 15A GFCI duplex receptacle with USB combination ports. (1) USB Type-A and (1) USB Type-C port share 2.0A charging capacity between both ports. Includes weatherproof, self-closing padlockable in-use cover; located 36" (914mm) o.c. from base of pole, in-line with hand hole. Receptacle is intended only for portable tools or other portable equipment to be connected to outlet only when attended by operating personnel.



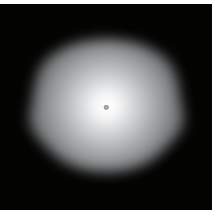
R1 - Distribution Type I					
Light Engine	Lumens	CCT	Input Watts	lm/W	BUG Rating
5G450	4352	3000K	39	112	B1-U0-G1
5G700	6537	3000K	62	105	B2-U0-G2
5G105	9101	3000K	94	97	B2-U0-G1



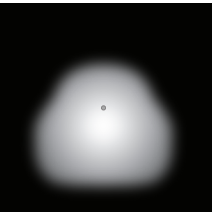
R2 - Distribution Type II					
Light Engine	Lumens	CCT	Input Watts	lm/W	BUG Rating
5G450	4416	3000K	39	113	B1-U0-G1
5G700	6634	3000K	62	107	B2-U0-G1
5G105	9306	3000K	94	99	B2-U0-G2



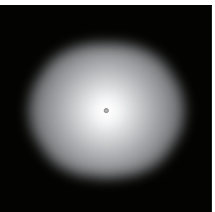
R3 - Distribution Type III					
Light Engine	Lumens	CCT	Input Watts	lm/W	BUG Rating
5G450	4414	3000K	39	113	B1-U0-G1
5G700	6634	3000K	62	107	B2-U0-G1
5G105	9306	3000K	94	99	B2-U0-G2



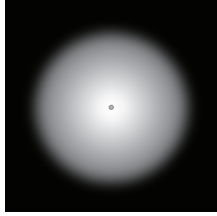
R3W - Distribution Type III					
Light Engine	Lumens	CCT	Input Watts	lm/W	BUG Rating
5G450	4479	3000K	39	115	B2-U0-G1
5G700	6758	3000K	62	109	B2-U0-G2
5G105	9494	3000K	94	101	B3-U0-G2



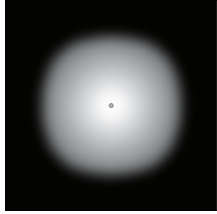
R4 - Distribution Type IV					
Light Engine	Lumens	CCT	Input Watts	lm/W	BUG Rating
5G450	4423	3000K	39	113	B1-U1-G1
5G700	6634	3000K	62	107	B2-U1-G1
5G105	9306	3000K	94	99	B2-U1-G2



R5Q - Distribution Type V					
Light Engine	Lumens	CCT	Input Watts	lm/W	BUG Rating
5G450	4475	3000K	39	115	B2-U0-G2
5G700	6758	3000K	62	109	B2-U0-G2
5G105	9494	3000K	94	101	B3-U0-G3



R5R - Distribution Type V					
Light Engine	Lumens	CCT	Input Watts	lm/W	BUG Rating
5G450	4548	3000K	39	117	B2-U0-G2
5G700	6820	3000K	62	110	B3-U0-G3
5G105	9588	3000K	94	102	B3-U0-G3



R5S - Distribution Type V					
Light Engine	Lumens	CCT	Input Watts	lm/W	BUG Rating
5G450	4517	3000K	39	116	B2-U0-G2
5G700	6820	3000K	62	110	B3-U0-G3
5G105	9588	3000K	94	102	B3-U0-G3

TM-21 Lifetime Calculation						
Light Engine	Ambient Temp (°C)	Lumen Maintenance (% at hours)				Reported L <sub>70</sub>
		25k <sup>1</sup>	50k <sup>1</sup>	75k <sup>2</sup>	100k <sup>2</sup>	
5G450	25°C	99.8%	99.8%	99.8%	99.8%	L <sub>70</sub> (12k) > 70,000 hours
	40°C	99.8%	99.8%	99.8%	99.8%	L <sub>70</sub> (12k) > 70,000 hours
5G700	25°C	99.8%	99.8%	99.8%	99.8%	L <sub>70</sub> (12k) > 70,000 hours
	40°C	99.8%	99.8%	99.8%	99.8%	L <sub>70</sub> (12k) > 70,000 hours
5G105	25°C	99.8%	99.8%	99.8%	99.8%	L <sub>70</sub> (12k) > 70,000 hours
	40°C	99.8%	99.8%	99.8%	99.8%	L <sub>70</sub> (12k) > 70,000 hours

<sup>1</sup> Calculated in accordance with IESNA TM-21-11, projected values are within six times (6x) the IESNA LM-80-08 test duration

<sup>2</sup> Thermal measurements based on Order Code: LRC-10-AS-D12-30-BL-480-CF

Date: \_\_\_\_\_ Customer: \_\_\_\_\_  
 Project: \_\_\_\_\_  
 Type: \_\_\_\_\_ Qty: \_\_\_\_\_

**selux**

**WAKE ROBIN INN  
 104-106 SHARON ROAD  
 SALISBURY, CT  
 SA4**

**Saturn Cutoff 2 LED**



**Order Code:** SAC2L - R4 - 1 - 5G450 - 27 - 12 - FIN - VOLT - \_\_\_\_\_

**Pole Order Code:** A35 - 12 - FIN - VOLT-BC5

SAC2L	Series	SAC2L Saturn Cutoff 2 LED								
	Optics	R1 Type I	R2 Type II	R3 Type III	R3W Type III (Wide)	R4 Type IV	R5R Type V (Round)	R5S Type V (Square)	R5Q Type V (Rectangular)	
	Mounting	1 Single	1A Single Arm Mount	2 Double	W Wall Mount					
	Light Engine	5G450 39W/4352lm	5G700 62W/6537lm	5G105 94W/9101lm						<sup>*</sup> Based on R1 distribution in 3000K CCT.
	CCT	27 <sup>1</sup> 2700K	30 <sup>1</sup> 3000K	40 4000K						<sup>1</sup> DarkSky approved. <sup>*</sup> For other CCTs please consult factory.
	Power Cord Length	08 8'	10 10'	12 12'	14 14'	16 16'	18 18'	XX <sup>2</sup> XX		<sup>*</sup> For 1 mounting use the pole height. For 1A or 2 mounting use the pole height +2. <sup>2</sup> Specify number of feet in whole foot increments.
	Finish	WH White	BK Black	BL Semi-Matte Black	BZ Bronze	SV Silver	SP Specify Premium Color			
	Voltage	120 120V	240 240V	277 277V	347 <sup>3</sup> 347V	480 <sup>3</sup> 480V				<sup>3</sup> Equipped with step-down transformer.
	Options	DM <sup>5</sup> Dimming (0-10V)	HS <sup>4</sup> House Side Shield (180°)	HL30 <sup>5,6</sup> Hi-Lo Switching Low Output 30%	HL50 <sup>5,6</sup> Hi-Lo Switching Low Output 50%	PCT <sup>7</sup> Photocell Tenon	MS <sup>5,7</sup> Pole Motion Sensor with Optional Photocell (See pagr 3 for order code)			<sup>4</sup> Type I, II, III, and IV only. <sup>5</sup> DM, HLXX, or MS only. Cannot be combined. <sup>6</sup> 120V, 240V, or 277V only. <sup>7</sup> PCT or MS only. Cannot be combined.

**Product Modifications**

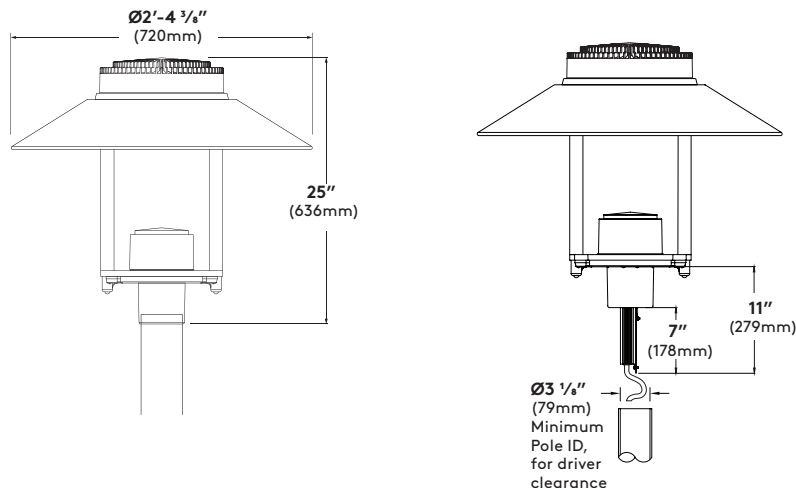
Please list modification requirements for review by factory:

**Approvals**

Date: \_\_\_\_\_



## SAC2L-1-XX-DS



### Specifications

**Luminaire Cover** - Die cast aluminum cover made from low copper alloy, designed to ensure optimal thermal management for extra long lifetime of LED light engine.

**Gasketing** - Continuous gasket provides weatherproofing, dust, and insect control at all fixture connections.

**Luminaire Hood** - Aluminum shade with white painted interior.

**LED Array** - High flux LEDs mounted to PC boards and attached to aluminum heat sink for maximum LED performance and life. CCT tolerance ¼ step binning for 3000K and 4000K. CRI minimum 80. Complete light engine can be removed easily for future upgrade. LED light engine provides a reported lumen maintenance of 93% at 50,000 hours. L70 calculated greater than 100,000 hours.

**LED Optics** - Technical Optics (R1, R2, R3, R3W, R4, R5S, R5Q, and R5R) use Selux signature Gen5 light pattern acrylic lens holder to secure proprietary silicone optics. Micro house side shield available for distributions types I, II, III, and IV.

**LED Driver** - LEDs are driven by RoHS compliant constant current programmable LED driver. Driver includes 0-10V dimming to 10%, meets the requirements of IP66. Driver assembly located inside the head.

**Hood Supports** - Two aluminum arms support shade and optic assembly and attach to the die cast aluminum pole fitter.

**Pole Fitter** - Self-leveling, die cast low-copper aluminum alloy, fitter base secured to pole with three stainless steel Allen head set screws. Fitter for 3 ½" (90mm) O.D. poles.

**Driver cover** - Die cast aluminum cover made from low copper alloy, removes for toolless access to driver. Driver secured to removable tray for ease of maintenance.

**Surge Protector** - Designed to protect luminaire from electrical surge (20kA).

**Power Cord** - Pre-installed at factory. Please specify power cord length in accordance to height of the pole. Add 2 feet to power cord length or if Single Arm Mount (1A) or Double Mount (2).

**Exterior Luminaire Finish** - Selux utilizes a high quality Polyester Powder Coating. All Selux luminaires and poles are finished in our Tiger Drylac certified facility and undergo a five stage intensive pretreatment process where product is thoroughly cleaned, phosphated and sealed. Selux powder coated products provide excellent salt and humidity resistance as well as ultraviolet resistance for color retention. All products are tested in accordance with test specifications for coatings from ASTM and PCI.

Standard exterior colors are White (WH), Black (BK), Semi-Matte Black (BL), Bronze (BZ), and Silver (SV). Selux premium colors (SP) are available, please specify from your Selux color selection guide.

### 5 Year Limited LED Luminaire Warranty -

Selux offers a 5 Year Limited Warranty to the original purchaser that the Saturn Cutoff 2 LED luminaire shall be free from defects in material and workmanship for up to five (5) years from date of shipment. This limited warranty covers the LED driver and LED array when installed and operated according to Selux instructions. For details, see "Selux Terms and Condition of Sale."

**Listings and Ratings:** Luminaire and LED tested to IP65 and IESNA LM-79-08 standards. LED tested to LM-80 standards. Luminaire and LED tested at 25°C ambient temperature.

**Luminaire suitable for ambient temperature of 45°C. Minimum operating temperature of luminaire at -40°C (-40°F).**

**NRTL Listed (i.e. UL, CSA).**

**Visit [selux.us](http://selux.us) for our LED End of Life recycling policy.**

**For Buy American compliance on poles, please consult the factory.**

**Mounting**

**Single (1)**

Die cast aluminum fitter base secured to pole with three stainless steel Allen head set screws.

EPA = 0.8ft<sup>2</sup> (0.08m<sup>2</sup>)  
Weight = 39lbs. (17.7kg)

**Single Arm Mount (1A)**

Die cast aluminum single luminaire mounting arm secured to pole with four stainless steel Allen head set screws. Outer slip fitter for Ø3½" tenon.

EPA = 1.3ft<sup>2</sup> (0.12m<sup>2</sup>)  
Weight = 53lbs. (24.0kg)

**Double (2)**

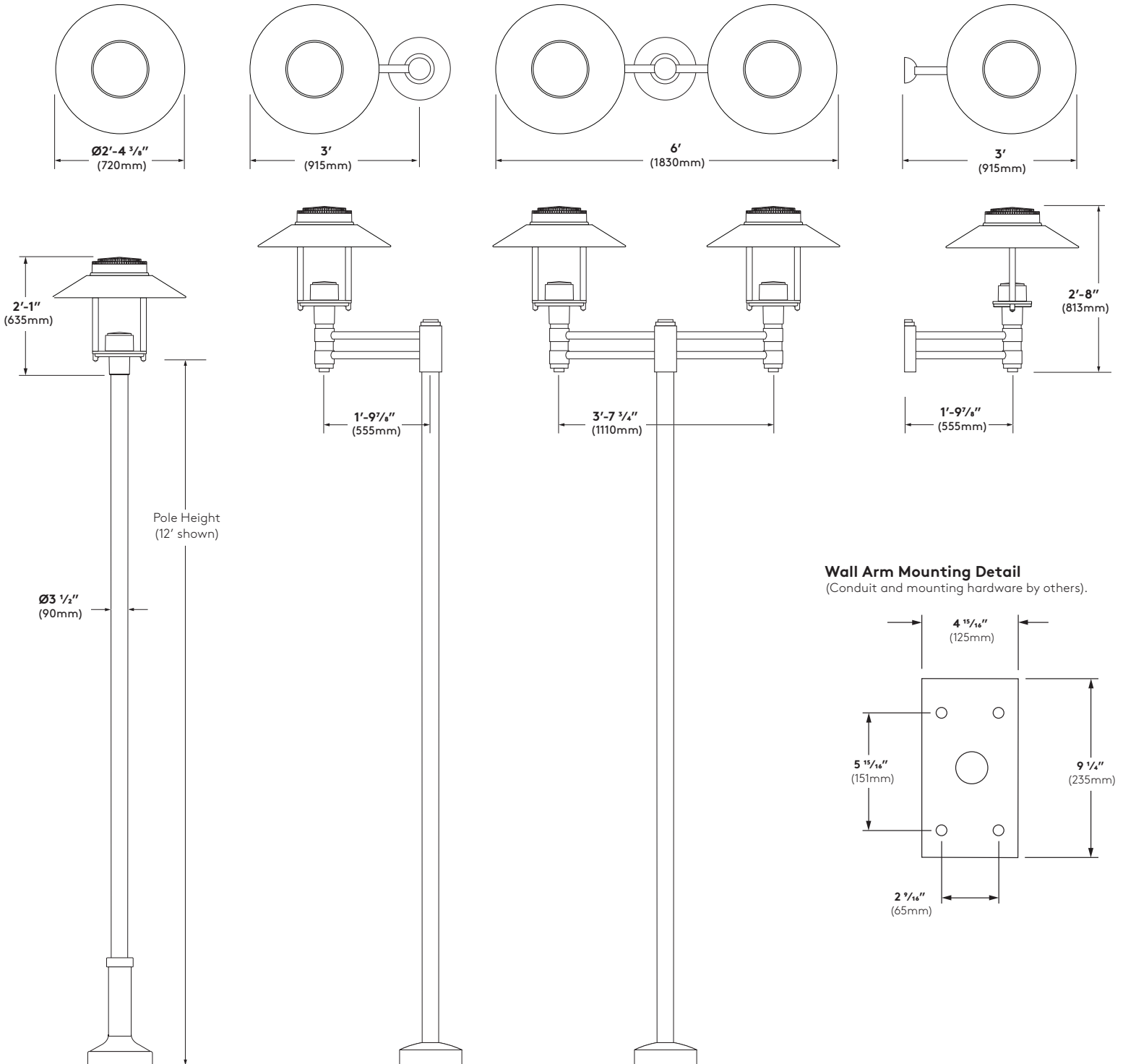
Die cast aluminum double luminaire mounting arm secured to pole with four stainless steel Allen head set screws. Outer slip fitter for Ø3½" tenon.

EPA = 2.4ft<sup>2</sup> (0.22m<sup>2</sup>)  
Weight = 100lbs. (79.8kg)

**Wall (W)**

Die cast aluminum double round wall mount arm. Secured to wall with ¼" diameter threaded fasteners (by others).

EPA = 1.2ft<sup>2</sup> (0.11m<sup>2</sup>)  
Weight = 50lbs. (22.7kg)



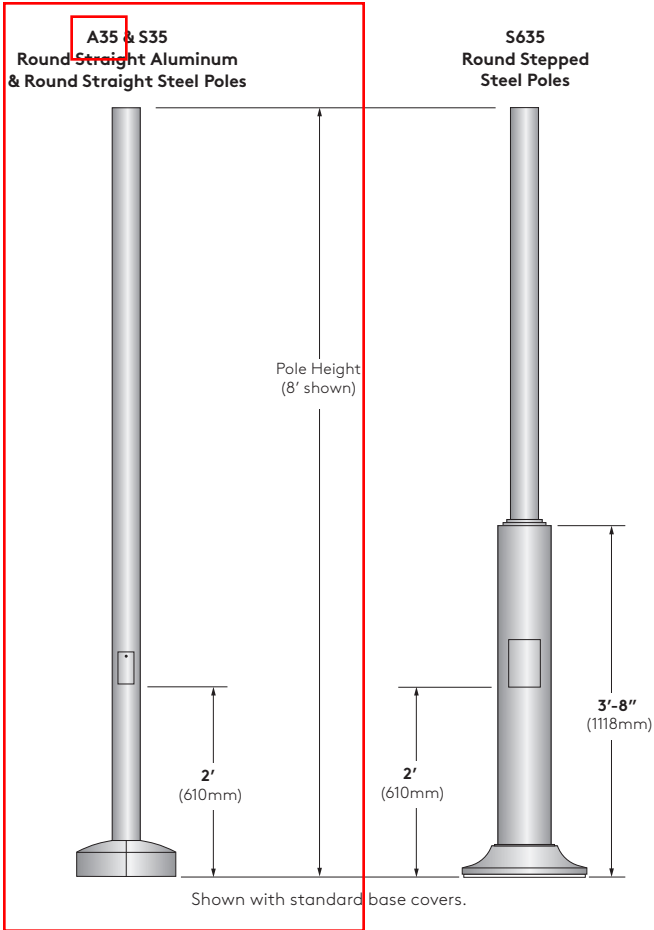
**Wall Arm Mounting Detail**  
(Conduit and mounting hardware by others).

**Pole Information**

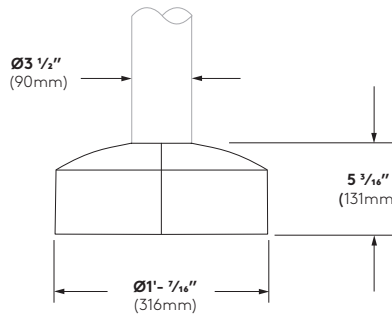
Refer to pole specification sheets for construction details, anchorage information and additional options.

**Base Cover Information**

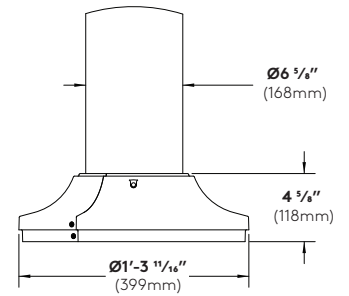
Refer to pole specification sheets for construction details, anchorage information and additional options.



**Standard Base Cover (BC5) Supplied with A35 and S35**  
Two-piece cast aluminum

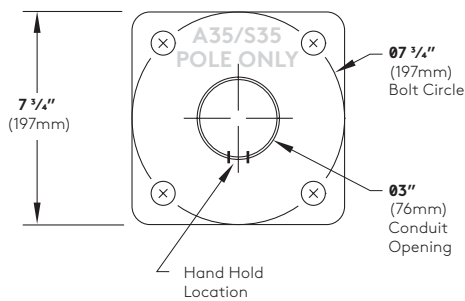


**Standard Base Cover (BC6) Supplied with S635**  
Two-piece cast aluminum



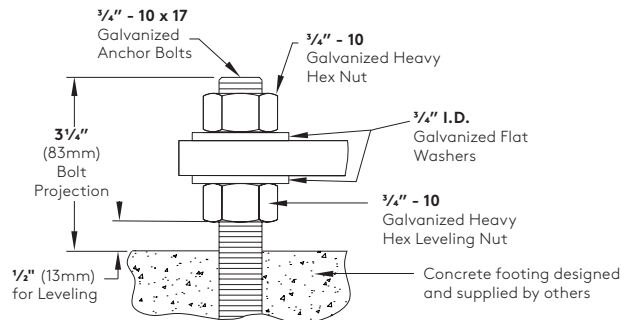
**Bolt Circle for A35 & S35**

Use caution when setting anchor bolts. Bolts must be vertically straight and centered on dimensions shown



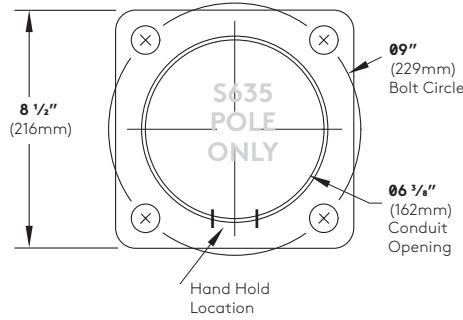
**Note:** Adequate drainage must be provided in concrete foundation.

**Anchor Bolt Detail for A35 & S35**

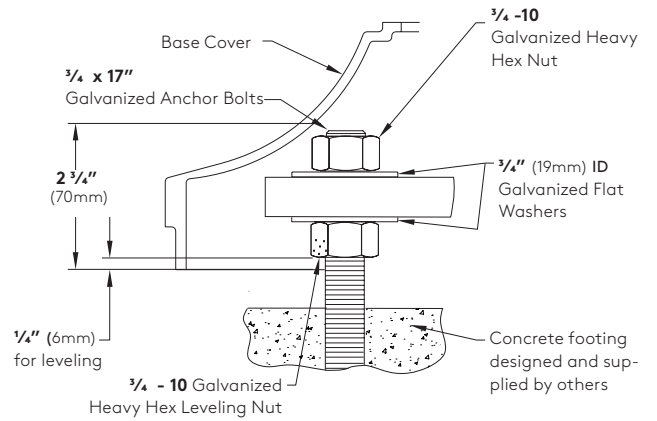


**Bolt Circle for S635**

Use caution when setting anchor bolts. Bolts must be vertically straight and centered on dimensions shown.



**Anchor Bolt Detail for S635**



**Note:** Adequate drainage must be provided in concrete foundation.

**Pole Data Chart**

Pole Series	Bolt Circle (in)	Wall (in)	Maximum EPA Rating (ft²) / Wind Speed (mph)											Height	Finish	Options
			85	90	100	110	120	130	140	150	160	170	180			
A35 3 1/2" Round Straight Aluminum Pole	7 3/4	0.197	8.7	7.7	6.0	4.8	3.9	3.1	2.6	2.2	1.9	1.7	1.5	8ft 8ft	WH White BK Black BL Semi-Matte Black BZ Bronze SV Silver	BC3 Decorative Cast Aluminum Base Cover (AT535) BC5 Decorative Cast Aluminum Base Cover (A35 and S35) BC6 Decorative Cast Aluminum Base Cover (S635) REC* GFCI Duplex Receptacle with weatherproof cover. REC2* GFCI Duplex Receptacle with padlockable in-use cover. REC3* USB and Duplex Receptacle with weatherproof cover. REC4* USB and Duplex Receptacle with padlockable in-use cover. MS Motion Sensor with optional Photocell (Meets Title 24 Requirements).
S35 3 1/2" Round Straight Steel Pole	7 3/4	0.125	13.1	11.5	9.2	7.4	6.0	5.0	4.2	3.6	3.2	2.8	2.4			
S635 6" to 3 1/2" Round Straight Stepped Steel Pole	9	0.125	34.4	30.6	24.6	20.2	16.8	14.2	12.2	10.5	9.2	8.1	7.2			
A35 3 1/2" Round Straight Aluminum Pole	7 3/4	0.197	6.9	6.0	4.6	3.6	2.8	2.2	1.8	1.5	1.2	1.0	0.9	10 10ft	SP Specify Pre-mium Color	
S35 3 1/2" Round Straight Steel Pole	7 3/4	0.125	10.5	9.2	7.2	5.7	4.6	3.7	3.1	2.6	2.3	2.0	1.7			
S635 6" to 3 1/2" Round Straight Stepped Steel Pole	9	0.125	28.5	23.5	20.2	16.5	13.7	11.5	9.8	8.5	7.4	6.5	5.7			
A35 3 1/2" Round Straight Aluminum Pole	7 3/4	0.197	5.4	4.7	3.5	2.6	1.9	1.4	1.1	0.8	0.7	-	-	12 12ft		
S35 3 1/2" Round Straight Steel Pole	7 3/4	0.125	8.6	7.5	5.7	4.4	3.5	2.7	2.2	1.9	1.6	1.3	1.1			
S635 6" to 3 1/2" Round Straight Stepped Steel Pole	9	0.125	23.6	21.0	16.9	13.7	11.3	9.4	8.0	6.9	6.0	5.2	4.6			
A35 3 1/2" Round Straight Aluminum Pole	7 3/4	0.197	3.8	3.2	2.2	1.5	0.9	-	-	-	-	-	-	14 14ft		
S35 3 1/2" Round Straight Steel Pole	7 3/4	0.125	6.3	5.4	4.0	3.0	2.2	1.6	1.2	1.0	0.8	0.6	-			
S635 6" to 3 1/2" Round Straight Stepped Steel Pole	9	0.125	18.2	16.2	13.1	10.5	8.6	7.0	5.9	5.0	4.4	3.8	3.3			
A35 3 1/2" Round Straight Aluminum Pole	7 3/4	0.197	2.7	2.2	1.3	0.7	-	-	-	-	-	-	-	16 16ft		
S35 3 1/2" Round Straight Steel Pole	7 3/4	0.125	5.1	4.3	3.1	2.1	1.4	0.9	0.6	-	-	-	-			
S635 6" to 3 1/2" Round Straight Stepped Steel Pole	9	0.125	15.6	13.9	11.2	8.9	7.1	5.7	4.8	4.0	3.5	3.0	2.6			
S35 3 1/2" Round Straight Steel Pole	7 3/4	0.125	4.2	3.4	2.2	1.4	0.8	-	-	-	-	-	-	18 16ft		
AT535 5" to 3 1/2" Round tapered Aluminum Pole	8 5/8	0.188	8.9	7.6	5.7	4.3	3.3	2.6	2.1	1.7	1.4	1.2	1.0			
S635 6" to 3 1/2" Round Straight Stepped Steel Pole	9	0.125	13.7	12.2	9.5	7.5	5.9	4.6	3.8	3.2	2.7	2.3	2.0			
AT535 5" to 3 1/2" Round tapered Aluminum Pole	8 5/8	0.188	7.3	6.2	4.4	3.2	2.3	1.7	1.4	1.1	0.9	-	-	20 20ft		
S635 6" to 3 1/2" Round Straight Stepped Steel Pole	9	0.125	12.1	10.8	8.2	6.3	4.8	3.7	2.9	2.4	2.0	1.7	1.4			

**Notes:**  
 1. Maximum EPA ratings certified in accordance with AASHTO 2013 (LTS-6-13) for 3-s gust wind speeds based on Allowable Stress Design (ASD) analysis  
 2. Consult factory for equivalent Load and Resistance Factor Design (LRFD) wind speeds  
 3. Rated performance is dependent upon the pole being properly attached to a supporting foundation of adequate design  
 \*The EPA capacity of a S35 pole is reduced with receptacle option. Consult factory for S35 EPA capacity with receptacle.

**Round Pole Motion Sensor**

The Selux outdoor rated sensor incorporates Passive Infrared (PIR) Technology for motion sensing and also includes built-in photocell. Sensor comes pre-installed in cast aluminum housing painted to match pole finish.

Series	Hand Hole Orientation	Dim Level	Photocell Feature	Voltage
<b>MS</b> Motion Sensor	<b>00</b> 0° Clockwise from Hand Hole	<b>D0</b> (Off)	Y Yes	<b>UNV</b> (100-347VAC single phase or 208/230/480VAC phase-to-phase)
	<b>09</b> 90° Clockwise from Hand Hole	<b>D1</b> (1V=10%)		
	<b>18</b> 180° Clockwise from Hand Hole	<b>D3</b> (3V=30%)	N No	
	<b>27</b> 270° Clockwise from Hand Hole	<b>D5</b> (5V=50%)		

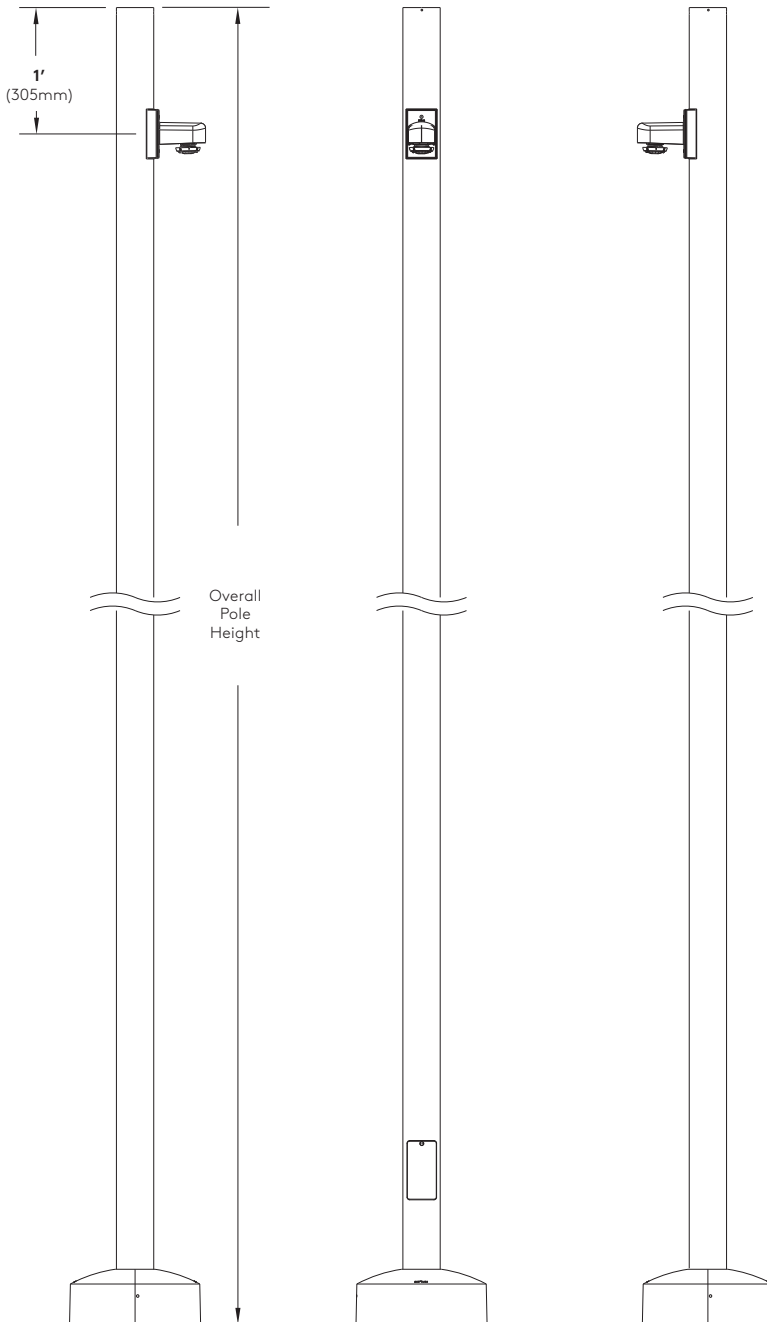
**Factory Defaults:**

Delay to Dim: 5 minutes

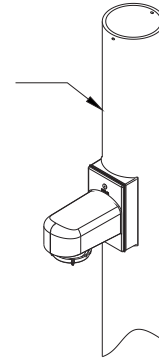
Delay to Off: 1 hour

Sensitivity: Max

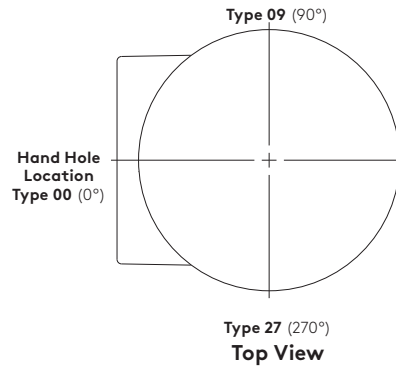
Custom Programming: Consult Factory



General Pole Drawing For Example Only.



Sensor angular orientation from hand hole 0°  
90° increments clockwise around pole (Type 00, 09, 18, 27)



**Motion Sensor Features**

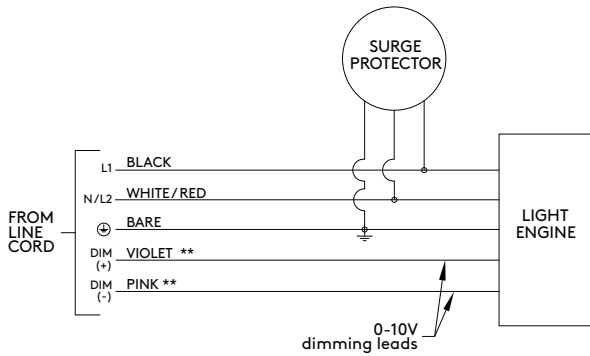
- Customize programming using smartphone application (Refer to the FSP-321 at [www.wattstopper.com](http://www.wattstopper.com)).
- 5 Year Warranty.
- 100% Digital PIR Detection, excellent RF Immunity.
- 270° coverage pattern.
- IP66 Rated for outdoor applications.
- Made for LED light source.
- Adjustable time delays, max/min dim levels, and ramp rates.
- Suitable for Title 24 applications.

(For coverage details refer to wattstopper FSP-321 spec sheet at [www.wattstopper.com](http://www.wattstopper.com)).

Wiring Diagrams

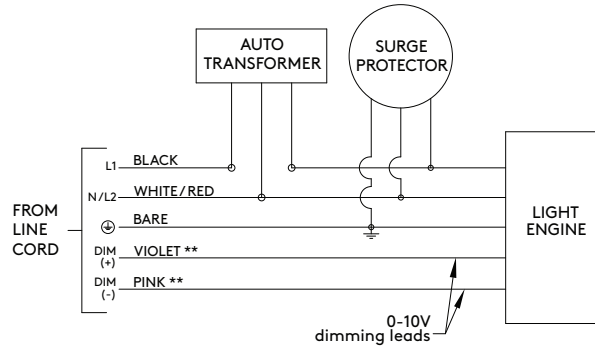
**Standard Wiring (120V-277V)**

\*\*When dimming is not required cap dimming wires.



**Standard Wiring (347/480V with Step-down Transformer)**

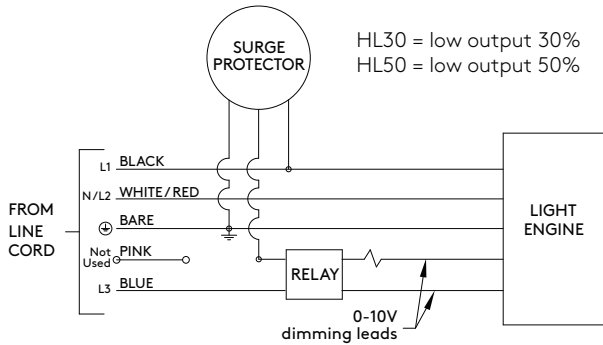
\*\*When dimming is not required cap dimming wires.



**Hi-Lo Switching Option (HL) Wiring HL30 & HL50 Only**

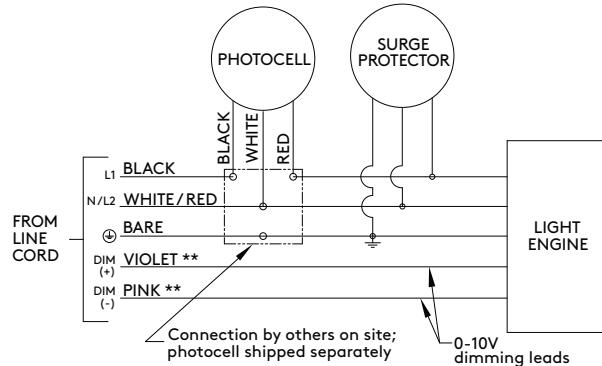
120V, 240V, 277V. When blue is energized, light output will be at "Lo" level. Specify low-level by using one of the 2 levels listed below ( i.e. HL30 or HL50). For other combinations, consult factory

HL30 = low output 30%  
HL50 = low output 50%



**Photocell Option (PCT) Wiring**

\*\*When dimming is not required cap dimming wires.

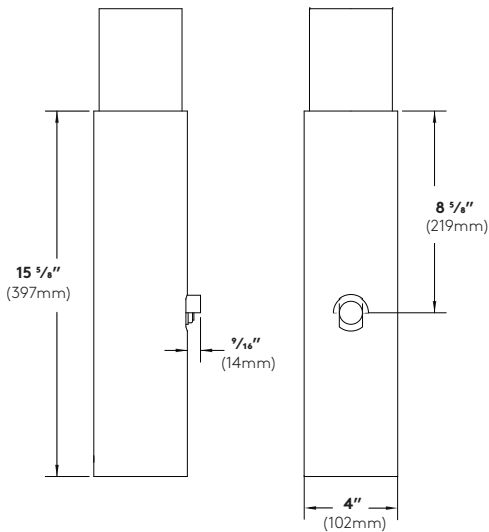
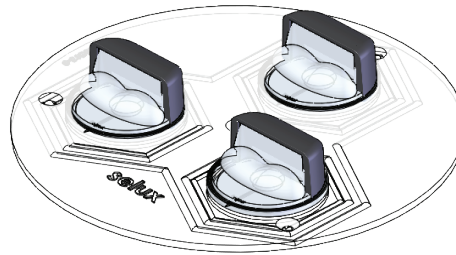


Wire Designation Table		
Source Voltage (VAC)	Wire Color	Wire Designation
120V, 277V, or 347V	Black	L1
	White	Neutral
208V, 240V, or 480V	Black	L1
	Red	L2
UNV (120V-277V)	Black	L1
	White	Neutral (120/277V) or L2 (208/240V)

**Optional Accessories**

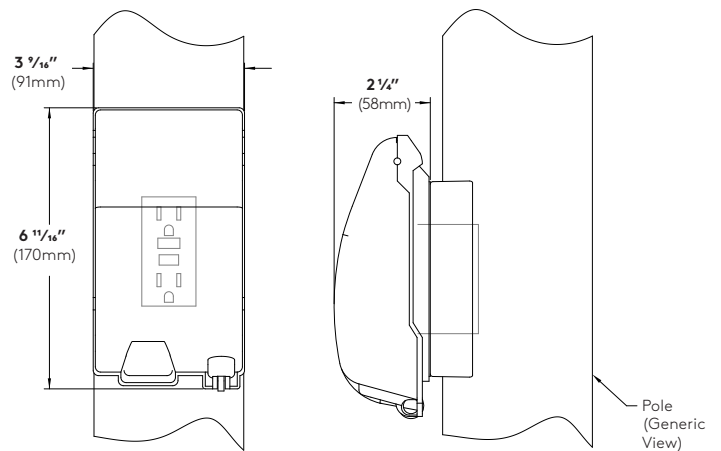
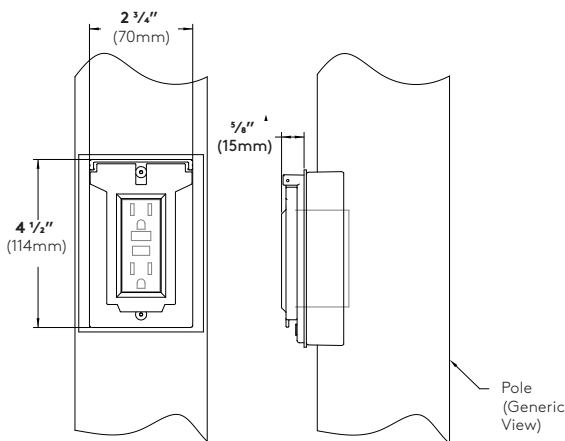
**Photo Cell Tenon (PCT)** - Button type photocell mounted in cast aluminum pole top tenon. Tenon has integral cast visor to prevent false start/stop cycle and can be oriented for optimum performance. Refer to luminaire spec sheet to determine if this option is applicable.

**House Side Shield (HS)** - 180° micro house side shield reduces light levels to <0.1 fc at approximately one mounting height behind luminaire.



**REC and REC3**

**REC2 and REC4**



Cover shown in the closed position

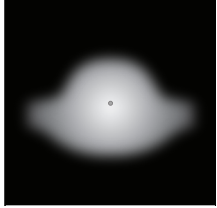
Cover shown in the closed position

**GFCI Duplex Receptacle (REC)** - 120V 15A GFCI duplex receptacle with weatherproof, self-closing cover; located 36" (914mm) o.c. from base of pole, in-line with hand hole. Receptacle is intended only for portable tools or other portable equipment to be connected to outlet only when attended by operating personnel (120V only).

**GFCI Duplex Receptacle (REC2)** - 120V 15A GFCI duplex receptacle with weatherproof, self-closing, padlockable in-use cover; located 36" (914mm) o.c. from base of pole, in-line with hand hole. Receptacle is intended only for portable tools or other portable equipment to be connected to outlet only when attended by operating personnel (120V only).

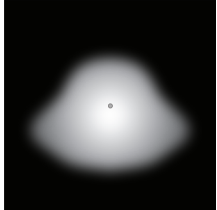
**USB & GFCI Duplex Receptacle (REC3)** (not shown) - 120V 15A GFCI duplex receptacle with USB combination ports. (1) USB Type-A and (1) USB Type-C port share 2.0A charging capacity between both ports. Includes weatherproof, self-closing cover; located 36" (914mm) o.c. from base of pole, in-line with hand hole. Receptacle is intended only for portable tools or other portable equipment to be connected to outlet only when attended by operating personnel.

**USB & GFCI Duplex Receptacle (REC4)** (not shown) - 120V 15A GFCI duplex receptacle with USB combination ports. (1) USB Type-A and (1) USB Type-C port share 2.0A charging capacity between both ports. Includes weatherproof, self-closing padlockable in-use cover; located 36" (914mm) o.c. from base of pole, in-line with hand hole. Receptacle is intended only for portable tools or other portable equipment to be connected to outlet only when attended by operating personnel.



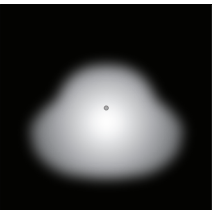
R1 - Distribution Type I

Light Engine	Lumens	CCT	Input Watts	lm/W	BUG Rating
5G450	4352	3000K	39	112	B1-U0-G1
5G700	6537	3000K	62	105	B2-U0-G2
5G105	9101	3000K	94	97	B2-U0-G1



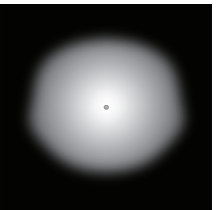
R2 - Distribution Type II

Light Engine	Lumens	CCT	Input Watts	lm/W	BUG Rating
5G450	4416	3000K	39	113	B1-U0-G1
5G700	6634	3000K	62	107	B2-U0-G1
5G105	9306	3000K	94	99	B2-U0-G2



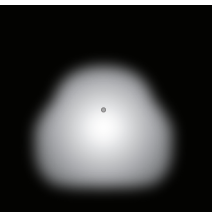
R3 - Distribution Type III

Light Engine	Lumens	CCT	Input Watts	lm/W	BUG Rating
5G450	4414	3000K	39	113	B1-U0-G1
5G700	6634	3000K	62	107	B2-U0-G1
5G105	9306	3000K	94	99	B2-U0-G2



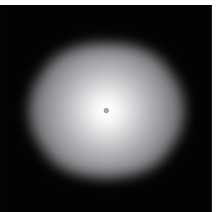
R3W - Distribution Type III

Light Engine	Lumens	CCT	Input Watts	lm/W	BUG Rating
5G450	4479	3000K	39	115	B2-U0-G1
5G700	6758	3000K	62	109	B2-U0-G2
5G105	9494	3000K	94	101	B3-U0-G2



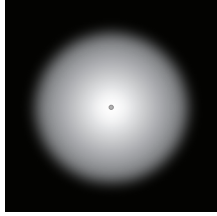
R4 - Distribution Type IV

Light Engine	Lumens	CCT	Input Watts	lm/W	BUG Rating
5G450	4423	3000K	39	113	B1-U1-G1
5G700	6634	3000K	62	107	B2-U1-G1
5G105	9306	3000K	94	99	B2-U1-G2

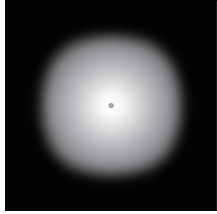


R5Q - Distribution Type V

Light Engine	Lumens	CCT	Input Watts	lm/W	BUG Rating
5G450	4475	3000K	39	115	B2-U0-G2
5G700	6758	3000K	62	109	B2-U0-G2
5G105	9494	3000K	94	101	B3-U0-G3



R5R - Distribution Type V					
Light Engine	Lumens	CCT	Input Watts	lm/W	BUG Rating
5G450	4548	3000K	39	117	B2-U0-G2
5G700	6820	3000K	62	110	B3-U0-G3
5G105	9588	3000K	94	102	B3-U0-G3



R5S - Distribution Type V					
Light Engine	Lumens	CCT	Input Watts	lm/W	BUG Rating
5G450	4517	3000K	39	116	B2-U0-G2
5G700	6820	3000K	62	110	B3-U0-G3
5G105	9588	3000K	94	102	B3-U0-G3

TM-21 Lifetime Calculation						
Light Engine	Ambient Temp (°C)	Lumen Maintenance (% at hours)				Reported L <sub>70</sub>
		25k <sup>1</sup>	50k <sup>1</sup>	75k <sup>2</sup>	100k <sup>2</sup>	
5G450	25°C	99.8%	99.8%	99.8%	99.8%	L <sub>70</sub> (12k) > 70,000 hours
	40°C	99.8%	99.8%	99.8%	99.8%	L <sub>70</sub> (12k) > 70,000 hours
5G700	25°C	99.8%	99.8%	99.8%	99.8%	L <sub>70</sub> (12k) > 70,000 hours
	40°C	99.8%	99.8%	99.8%	99.8%	L <sub>70</sub> (12k) > 70,000 hours
5G105	25°C	99.8%	99.8%	99.8%	99.8%	L <sub>70</sub> (12k) > 70,000 hours
	40°C	99.8%	99.8%	99.8%	99.8%	L <sub>70</sub> (12k) > 70,000 hours

<sup>1</sup> Calculated in accordance with IESNA TM-21-11, projected values are within six times (6x) the IESNA LM-80-08 test duration

<sup>2</sup> Thermal measurements based on Order Code: LRC-10-AS-D12-30-BL-480-CF

Date: \_\_\_\_\_ Customer: \_\_\_\_\_  
 Project: \_\_\_\_\_  
 Type: \_\_\_\_\_ Qty: \_\_\_\_\_

**selux**

**WAKE ROBIN INN  
 104-106 SHARON ROAD  
 SALISBURY, CT  
 SA5**

**Saturn Cutoff 2 LED**



**Order Code:** SAC2L - R5S - 1 - 5G450 27 - 12 - FIN - VOLT - \_\_\_\_\_

**Pole Order Code:** A35 - 12 - FIN - VOLT-BC5

SAC2L	Series	SAC2L Saturn Cutoff 2 LED								
	Optics	R1 Type I	R2 Type II	R3 Type III	R3W Type III (Wide)	R4 Type IV	R5R Type V (Round)	R5S Type V (Square)	R5Q Type V (Rectangular)	
	Mounting	1 Single	1A Single Arm Mount	2 Double	W Wall Mount					
	Light Engine	5G450 39W/4352lm	5G700 62W/6537lm	5G105 94W/9101lm						<sup>*</sup> Based on R1 distribution in 3000K CCT.
	CCT	27 <sup>1</sup> 2700K	30 <sup>1</sup> 3000K	40 4000K						<sup>1</sup> DarkSky approved. <sup>*</sup> For other CCTs please consult factory.
	Power Cord Length	08 8'	10 10'	12 12'	14 14'	16 16'	18 18'	XX <sup>2</sup> XX		<sup>*</sup> For 1 mounting use the pole height. For 1A or 2 mounting use the pole height +2. <sup>2</sup> Specify number of feet in whole foot increments.
	Finish	WH White	BK Black	BL Semi-Matte Black	BZ Bronze	SV Silver	SP Specify Premium Color			
	Voltage	120 120V	240 240V	277 277V	347 <sup>3</sup> 347V	480 <sup>3</sup> 480V				<sup>3</sup> Equipped with step-down transformer.
	Options	DM <sup>5</sup> Dimming (0-10V)	HS <sup>4</sup> House Side Shield (180°)	HL30 <sup>5,6</sup> Hi-Lo Switching Low Output 30%	HL50 <sup>5,6</sup> Hi-Lo Switching Low Output 50%	PCT <sup>7</sup> Photocell Tenon	MS <sup>5,7</sup> Pole Motion Sensor with Optional Photocell (See pagr 3 for order code)			<sup>4</sup> Type I, II, III, and IV only. <sup>5</sup> DM, HLXX, or MS only. Cannot be combined. <sup>6</sup> 120V, 240V, or 277V only. <sup>7</sup> PCT or MS only. Cannot be combined.

**Product Modifications**

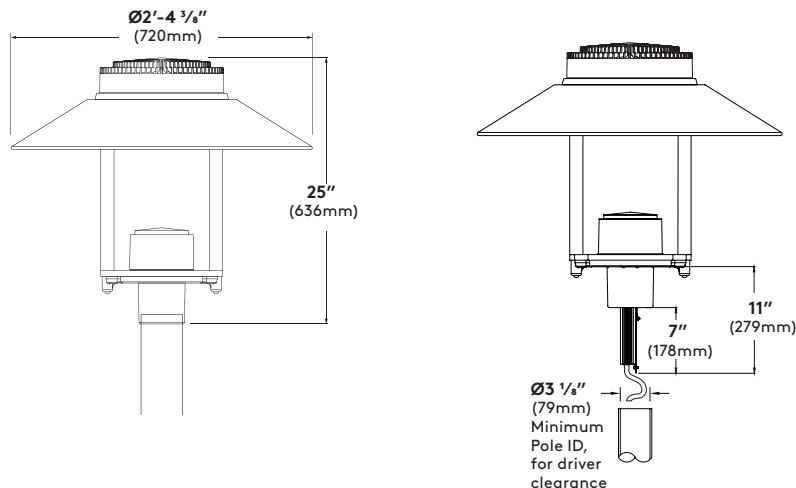
Please list modification requirements for review by factory:

**Approvals**

Date: \_\_\_\_\_



## SAC2L-1-XX-DS



### Specifications

**Luminaire Cover** - Die cast aluminum cover made from low copper alloy, designed to ensure optimal thermal management for extra long lifetime of LED light engine.

**Gasketing** - Continuous gasket provides weatherproofing, dust, and insect control at all fixture connections.

**Luminaire Hood** - Aluminum shade with white painted interior.

**LED Array** - High flux LEDs mounted to PC boards and attached to aluminum heat sink for maximum LED performance and life. CCT tolerance ¼ step binning for 3000K and 4000K. CRI minimum 80. Complete light engine can be removed easily for future upgrade. LED light engine provides a reported lumen maintenance of 93% at 50,000 hours. L70 calculated greater than 100,000 hours.

**LED Optics** - Technical Optics (R1, R2, R3, R3W, R4, R5S, R5Q, and R5R) use Selux signature Gen5 light pattern acrylic lens holder to secure proprietary silicone optics. Micro house side shield available for distributions types I, II, III, and IV.

**LED Driver** - LEDs are driven by RoHS compliant constant current programmable LED driver. Driver includes 0-10V dimming to 10%, meets the requirements of IP66. Driver assembly located inside the head.

**Hood Supports** - Two aluminum arms support shade and optic assembly and attach to the die cast aluminum pole fitter.

**Pole Fitter** - Self-leveling, die cast low-copper aluminum alloy, fitter base secured to pole with three stainless steel Allen head set screws. Fitter for 3 ½" (90mm) O.D. poles.

**Driver cover** - Die cast aluminum cover made from low copper alloy, removes for toolless access to driver. Driver secured to removable tray for ease of maintenance.

**Surge Protector** - Designed to protect luminaire from electrical surge (20kA).

**Power Cord** - Pre-installed at factory. Please specify power cord length in accordance to height of the pole. Add 2 feet to power cord length or if Single Arm Mount (1A) or Double Mount (2).

**Exterior Luminaire Finish** - Selux utilizes a high quality Polyester Powder Coating. All Selux luminaires and poles are finished in our Tiger Drylac certified facility and undergo a five stage intensive pretreatment process where product is thoroughly cleaned, phosphated and sealed. Selux powder coated products provide excellent salt and humidity resistance as well as ultraviolet resistance for color retention. All products are tested in accordance with test specifications for coatings from ASTM and PCI.

Standard exterior colors are White (WH), Black (BK), Semi-Matte Black (BL), Bronze (BZ), and Silver (SV). Selux premium colors (SP) are available, please specify from your Selux color selection guide.

### 5 Year Limited LED Luminaire Warranty -

Selux offers a 5 Year Limited Warranty to the original purchaser that the Saturn Cutoff 2 LED luminaire shall be free from defects in material and workmanship for up to five (5) years from date of shipment. This limited warranty covers the LED driver and LED array when installed and operated according to Selux instructions. For details, see "Selux Terms and Condition of Sale."

**Listings and Ratings:** Luminaire and LED tested to IP65 and IESNA LM-79-08 standards. LED tested to LM-80 standards. Luminaire and LED tested at 25°C ambient temperature.

**Luminaire suitable for ambient temperature of 45°C. Minimum operating temperature of luminaire at -40°C (-40°F).**

**NRTL Listed (i.e. UL, CSA).**

**Visit [selux.us](http://selux.us) for our LED End of Life recycling policy.**

**For Buy American compliance on poles, please consult the factory.**

**Mounting**

**Single (1)**

Die cast aluminum fitter base secured to pole with three stainless steel Allen head set screws.

EPA = 0.8ft<sup>2</sup> (0.08m<sup>2</sup>)  
 Weight = 39lbs. (17.7kg)

**Single Arm Mount (1A)**

Die cast aluminum single luminaire mounting arm secured to pole with four stainless steel Allen head set screws. Outer slip fitter for Ø3½" tenon.

EPA = 1.3ft<sup>2</sup> (0.12m<sup>2</sup>)  
 Weight = 53lbs. (24.0kg)

**Double (2)**

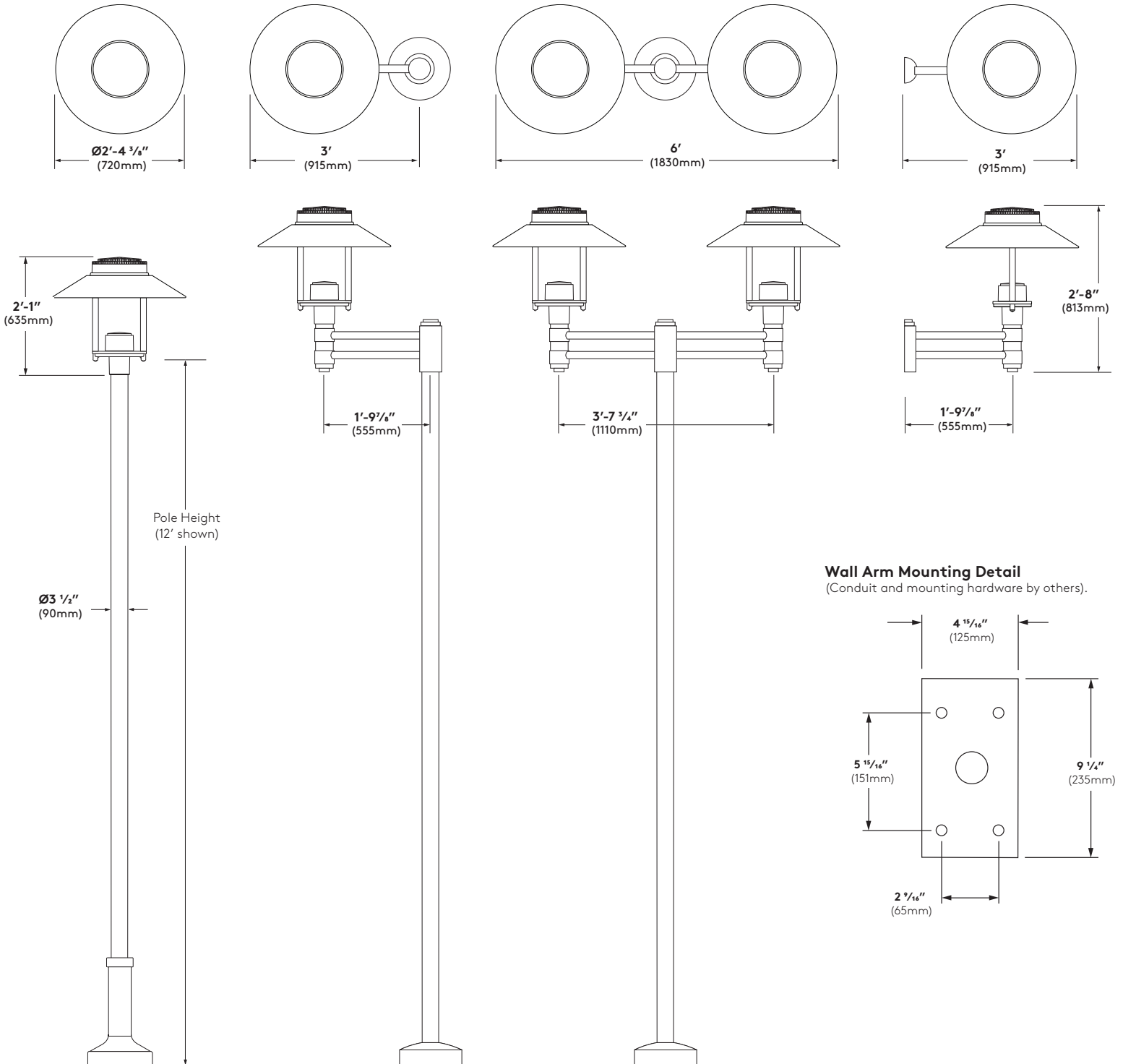
Die cast aluminum double luminaire mounting arm secured to pole with four stainless steel Allen head set screws. Outer slip fitter for Ø3½" tenon.

EPA = 2.4ft<sup>2</sup> (0.22m<sup>2</sup>)  
 Weight = 100lbs. (79.8kg)

**Wall (W)**

Die cast aluminum double round wall mount arm. Secured to wall with ¼" diameter threaded fasteners (by others).

EPA = 1.2ft<sup>2</sup> (0.11m<sup>2</sup>)  
 Weight = 50lbs. (22.7kg)



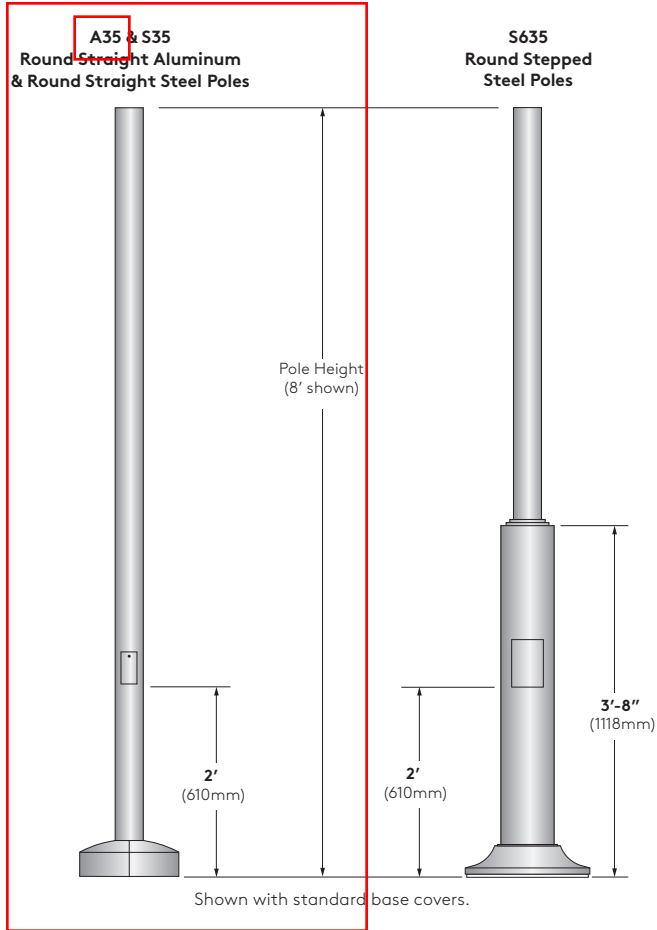
**Wall Arm Mounting Detail**  
 (Conduit and mounting hardware by others).

**Pole Information**

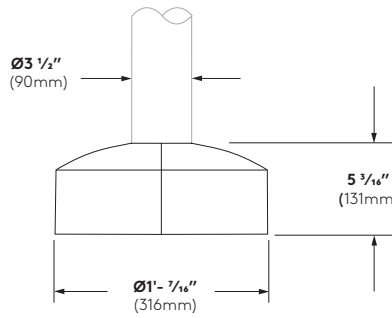
Refer to pole specification sheets for construction details, anchorage information and additional options.

**Base Cover Information**

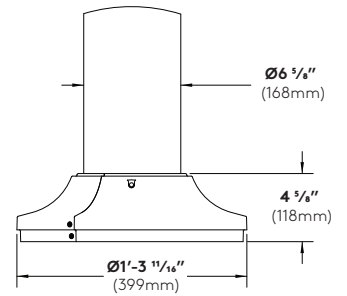
Refer to pole specification sheets for construction details, anchorage information and additional options.



**Standard Base Cover (BC5)**  
Supplied with A35 and S35  
Two-piece cast aluminum

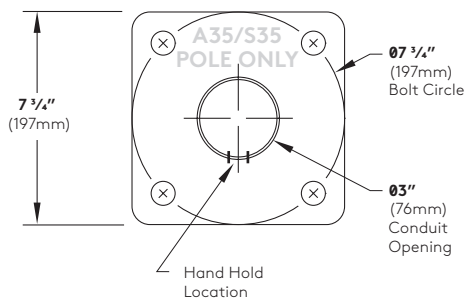


**Standard Base Cover (BC6)**  
Supplied with S635  
Two-piece cast aluminum



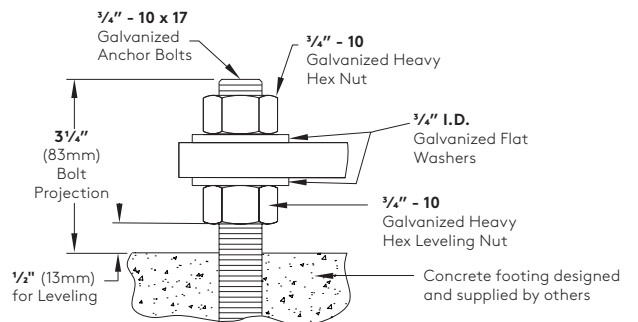
**Bolt Circle for A35 & S35**

Use caution when setting anchor bolts. Bolts must be vertically straight and centered on dimensions shown



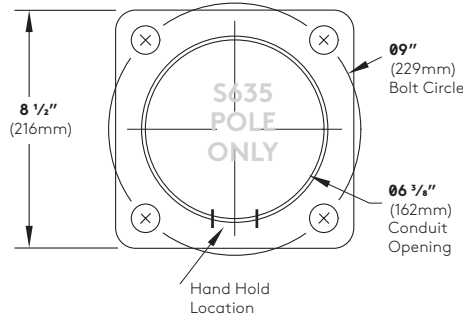
**Note:** Adequate drainage must be provided in concrete foundation.

**Anchor Bolt Detail for A35 & S35**

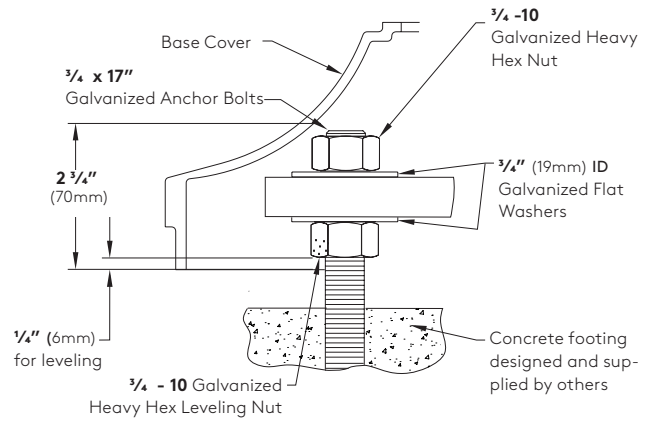


**Bolt Circle for S635**

Use caution when setting anchor bolts. Bolts must be vertically straight and centered on dimensions shown.



**Anchor Bolt Detail for S635**



**Note:** Adequate drainage must be provided in concrete foundation.

**Pole Data Chart**

Pole Series	Bolt Circle (in)	Wall (in)	Maximum EPA Rating (ft²) / Wind Speed (mph)											Height	Finish	Options
			85	90	100	110	120	130	140	150	160	170	180			
A35 3 1/2" Round Straight Aluminum Pole	7 3/4	0.197	8.7	7.7	6.0	4.8	3.9	3.1	2.6	2.2	1.9	1.7	1.5	8ft 8ft	WH White BK Black BL Semi-Matte Black BZ Bronze SV Silver	BC3 Decorative Cast Aluminum Base Cover (AT535) BC5 Decorative Cast Aluminum Base Cover (A35 and S35) BC6 Decorative Cast Aluminum Base Cover (S635) REC* GFCI Duplex Receptacle with weatherproof cover. REC2* GFCI Duplex Receptacle with padlockable in-use cover. REC3* USB and Duplex Receptacle with weatherproof cover. REC4* USB and Duplex Receptacle with padlockable in-use cover. MS Motion Sensor with optional Photocell (Meets Title 24 Requirements).
S35 3 1/2" Round Straight Steel Pole	7 3/4	0.125	13.1	11.5	9.2	7.4	6.0	5.0	4.2	3.6	3.2	2.8	2.4			
S635 6" to 3 1/2" Round Straight Stepped Steel Pole	9	0.125	34.4	30.6	24.6	20.2	16.8	14.2	12.2	10.5	9.2	8.1	7.2			
A35 3 1/2" Round Straight Aluminum Pole	7 3/4	0.197	6.9	6.0	4.6	3.6	2.8	2.2	1.8	1.5	1.2	1.0	0.9	10 10ft	SP Specify Pre-mium Color	
S35 3 1/2" Round Straight Steel Pole	7 3/4	0.125	10.5	9.2	7.2	5.7	4.6	3.7	3.1	2.6	2.3	2.0	1.7			
S635 6" to 3 1/2" Round Straight Stepped Steel Pole	9	0.125	28.5	23.5	20.2	16.5	13.7	11.5	9.8	8.5	7.4	6.5	5.7			
A35 3 1/2" Round Straight Aluminum Pole	7 3/4	0.197	5.4	4.7	3.5	2.6	1.9	1.4	1.1	0.8	0.7	-	-	12 12ft		
S35 3 1/2" Round Straight Steel Pole	7 3/4	0.125	8.6	7.5	5.7	4.4	3.5	2.7	2.2	1.9	1.6	1.3	1.1			
S635 6" to 3 1/2" Round Straight Stepped Steel Pole	9	0.125	23.6	21.0	16.9	13.7	11.3	9.4	8.0	6.9	6.0	5.2	4.6			
A35 3 1/2" Round Straight Aluminum Pole	7 3/4	0.197	3.8	3.2	2.2	1.5	0.9	-	-	-	-	-	-	14 14ft		
S35 3 1/2" Round Straight Steel Pole	7 3/4	0.125	6.3	5.4	4.0	3.0	2.2	1.6	1.2	1.0	0.8	0.6	-			
S635 6" to 3 1/2" Round Straight Stepped Steel Pole	9	0.125	18.2	16.2	13.1	10.5	8.6	7.0	5.9	5.0	4.4	3.8	3.3			
A35 3 1/2" Round Straight Aluminum Pole	7 3/4	0.197	2.7	2.2	1.3	0.7	-	-	-	-	-	-	-	16 16ft		
S35 3 1/2" Round Straight Steel Pole	7 3/4	0.125	5.1	4.3	3.1	2.1	1.4	0.9	0.6	-	-	-	-			
S635 6" to 3 1/2" Round Straight Stepped Steel Pole	9	0.125	15.6	13.9	11.2	8.9	7.1	5.7	4.8	4.0	3.5	3.0	2.6			
A35 3 1/2" Round Straight Aluminum Pole	7 3/4	0.125	4.2	3.4	2.2	1.4	0.8	-	-	-	-	-	-	18 16ft		
S35 3 1/2" Round Straight Steel Pole	7 3/4	0.125	4.2	3.4	2.2	1.4	0.8	-	-	-	-	-	-			
S635 6" to 3 1/2" Round Straight Stepped Steel Pole	9	0.125	15.6	13.9	11.2	8.9	7.1	5.7	4.8	4.0	3.5	3.0	2.6			
AT535 5" to 3 1/2" Round tapered Aluminum Pole	8 5/8	0.188	8.9	7.6	5.7	4.3	3.3	2.6	2.1	1.7	1.4	1.2	1.0	20 20ft		
S635 6" to 3 1/2" Round Straight Stepped Steel Pole	9	0.125	13.7	12.2	9.5	7.5	5.9	4.6	3.8	3.2	2.7	2.3	2.0			
AT535 5" to 3 1/2" Round tapered Aluminum Pole	8 5/8	0.188	7.3	6.2	4.4	3.2	2.3	1.7	1.4	1.1	0.9	-	-			
S635 6" to 3 1/2" Round Straight Stepped Steel Pole	9	0.125	12.1	10.8	8.2	6.3	4.8	3.7	2.9	2.4	2.0	1.7	1.4			

**Notes:**  
 1. Maximum EPA ratings certified in accordance with AASHTO 2013 (LTS-6-13) for 3-s gust wind speeds based on Allowable Stress Design (ASD) analysis  
 2. Consult factory for equivalent Load and Resistance Factor Design (LRFD) wind speeds  
 3. Rated performance is dependent upon the pole being properly attached to a supporting foundation of adequate design  
 \*The EPA capacity of a S35 pole is reduced with receptacle option. Consult factory for S35 EPA capacity with receptacle.

**Round Pole Motion Sensor**

The Selux outdoor rated sensor incorporates Passive Infrared (PIR) Technology for motion sensing and also includes built-in photocell. Sensor comes pre-installed in cast aluminum housing painted to match pole finish.

Series	Hand Hole Orientation	Dim Level	Photocell Feature	Voltage
<b>MS</b> Motion Sensor	<b>00</b> 0° Clockwise from Hand Hole	<b>D0</b> (Off)	<b>Y</b> Yes	<b>UNV</b> (100-347VAC single phase or 208/230/480VAC phase-to-phase)
	<b>09</b> 90° Clockwise from Hand Hole	<b>D1</b> (1V=10%)		
	<b>18</b> 180° Clockwise from Hand Hole	<b>D3</b> (3V=30%)	<b>N</b> No	
	<b>27</b> 270° Clockwise from Hand Hole	<b>D5</b> (5V=50%)		

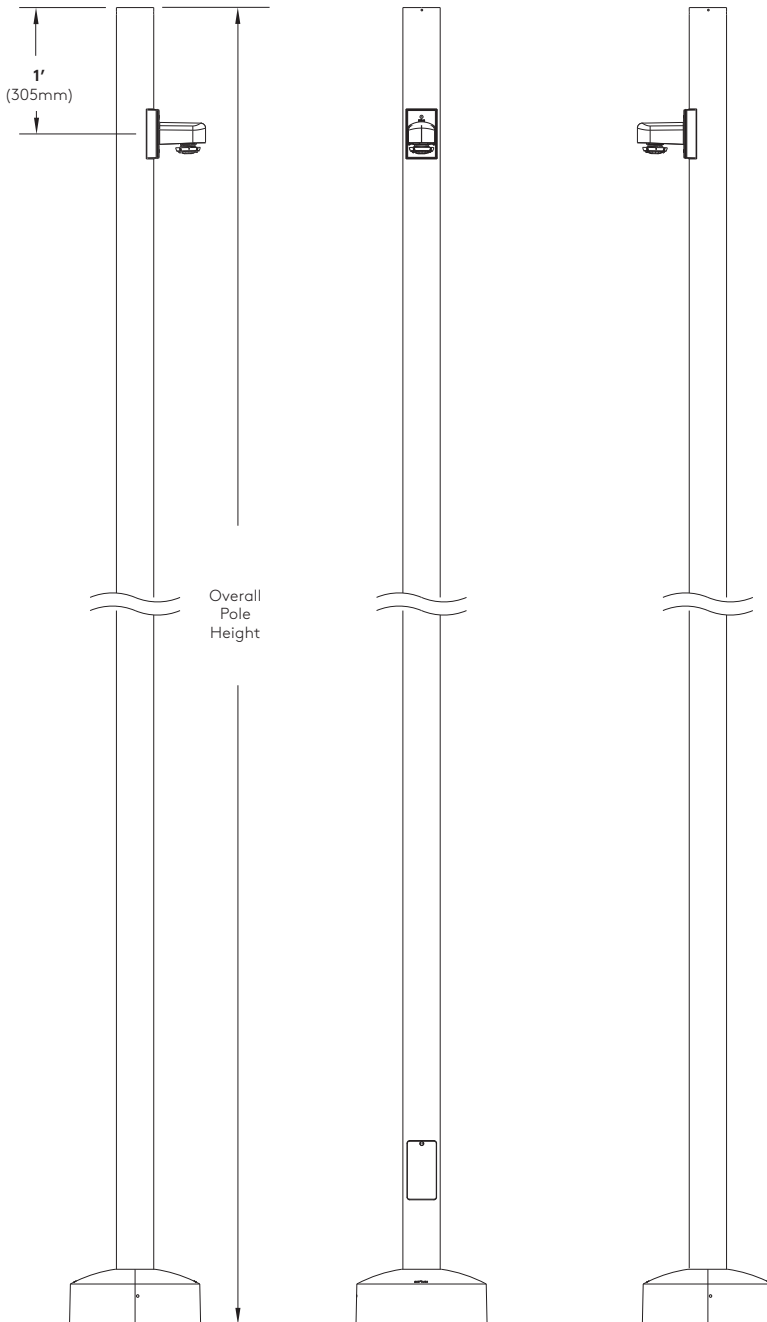
**Factory Defaults:**

Delay to Dim: 5 minutes

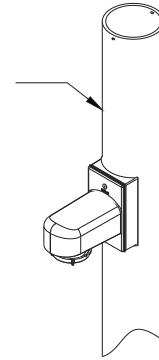
Delay to Off: 1 hour

Sensitivity: Max

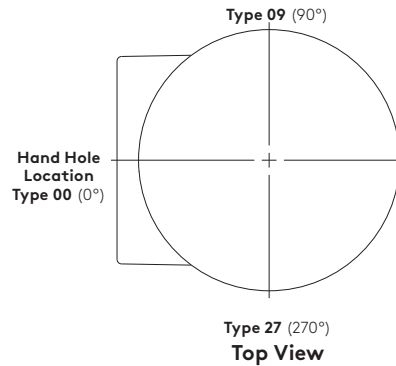
Custom Programming: Consult Factory



General Pole Drawing For Example Only.



Sensor angular orientation from hand hole 0°  
90° increments clockwise around pole (Type 00, 09, 18, 27)



**Motion Sensor Features**

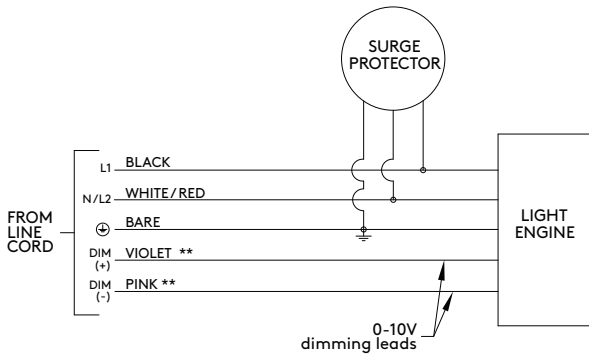
- Customize programming using smartphone application (Refer to the FSP-321 at [www.wattstopper.com](http://www.wattstopper.com)).
- 5 Year Warranty.
- 100% Digital PIR Detection, excellent RF Immunity.
- 270° coverage pattern.
- IP66 Rated for outdoor applications.
- Made for LED light source.
- Adjustable time delays, max/min dim levels, and ramp rates.
- Suitable for Title 24 applications.

(For coverage details refer to wattstopper FSP-321 spec sheet at [www.wattstopper.com](http://www.wattstopper.com)).

Wiring Diagrams

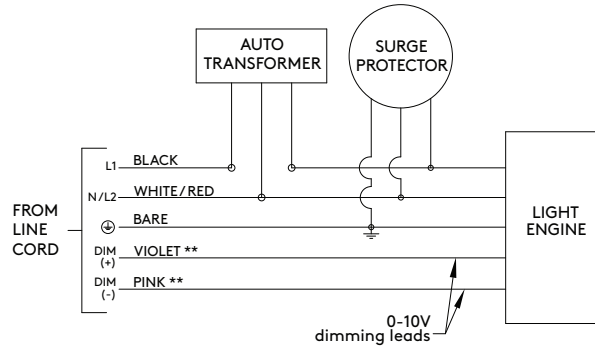
**Standard Wiring (120V-277V)**

\*\*When dimming is not required cap dimming wires.



**Standard Wiring (347/480V with Step-down Transformer)**

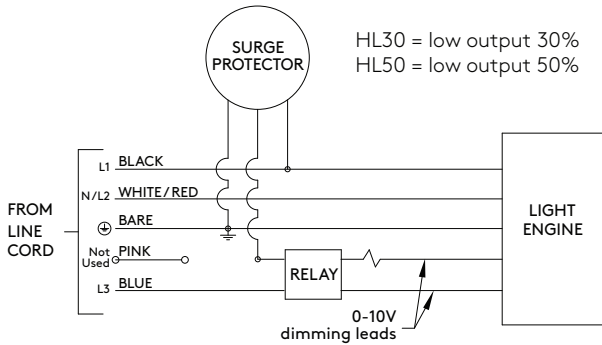
\*\*When dimming is not required cap dimming wires.



**Hi-Lo Switching Option (HL) Wiring HL30 & HL50 Only**

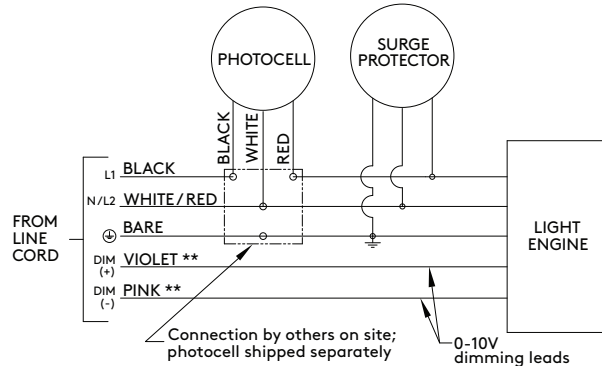
120V, 240V, 277V. When blue is energized, light output will be at "Lo" level. Specify low-level by using one of the 2 levels listed below ( i.e. HL30 or HL50). For other combinations, consult factory

HL30 = low output 30%  
HL50 = low output 50%



**Photocell Option (PCT) Wiring**

\*\*When dimming is not required cap dimming wires.

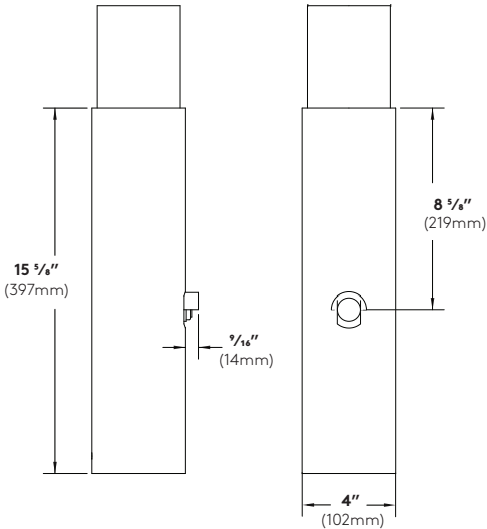
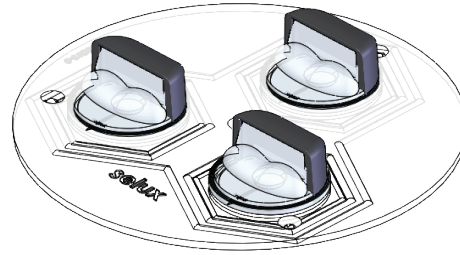


Wire Designation Table		
Source Voltage (VAC)	Wire Color	Wire Designation
120V, 277V, or 347V	Black	L1
	White	Neutral
208V, 240V, or 480V	Black	L1
	Red	L2
UNV (120V-277V)	Black	L1
	White	Neutral (120/277V) or L2 (208/240V)

**Optional Accessories**

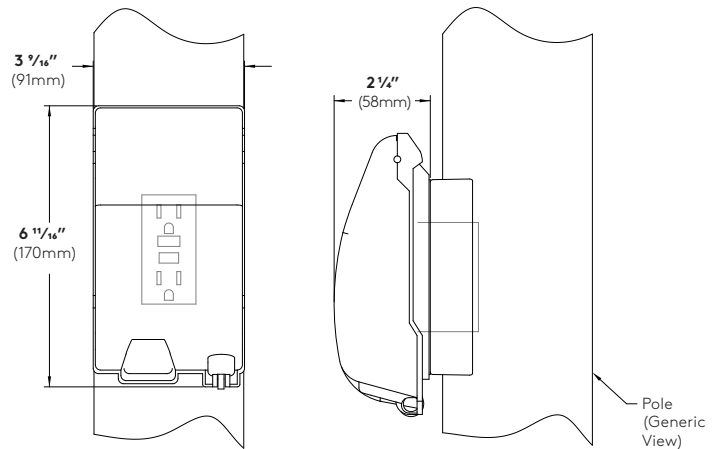
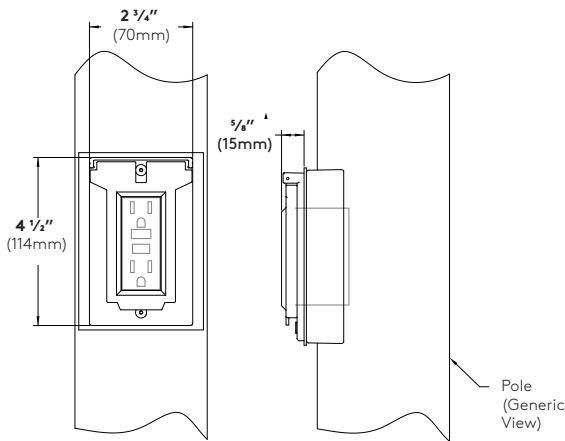
**Photo Cell Tenon (PCT)** - Button type photocell mounted in cast aluminum pole top tenon. Tenon has integral cast visor to prevent false start/stop cycle and can be oriented for optimum performance. Refer to luminaire spec sheet to determine if this option is applicable.

**House Side Shield (HS)** - 180° micro house side shield reduces light levels to <0.1 fc at approximately one mounting height behind luminaire.



**REC and REC3**

**REC2 and REC4**



Cover shown in the closed position

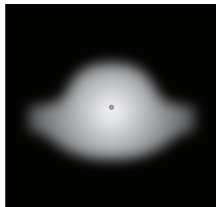
Cover shown in the closed position

**GFCI Duplex Receptacle (REC)** - 120V 15A GFCI duplex receptacle with weatherproof, self-closing cover; located 36" (914mm) o.c. from base of pole, in-line with hand hole. Receptacle is intended only for portable tools or other portable equipment to be connected to outlet only when attended by operating personnel (120V only).

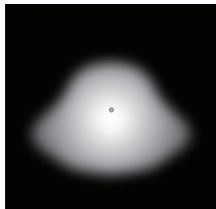
**GFCI Duplex Receptacle (REC2)** - 120V 15A GFCI duplex receptacle with weatherproof, self-closing, padlockable in-use cover; located 36" (914mm) o.c. from base of pole, in-line with hand hole. Receptacle is intended only for portable tools or other portable equipment to be connected to outlet only when attended by operating personnel (120V only).

**USB & GFCI Duplex Receptacle (REC3)** (not shown) - 120V 15A GFCI duplex receptacle with USB combination ports. (1) USB Type-A and (1) USB Type-C port share 2.0A charging capacity between both ports. Includes weatherproof, self-closing cover; located 36" (914mm) o.c. from base of pole, in-line with hand hole. Receptacle is intended only for portable tools or other portable equipment to be connected to outlet only when attended by operating personnel.

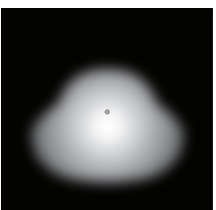
**USB & GFCI Duplex Receptacle (REC4)** (not shown) - 120V 15A GFCI duplex receptacle with USB combination ports. (1) USB Type-A and (1) USB Type-C port share 2.0A charging capacity between both ports. Includes weatherproof, self-closing padlockable in-use cover; located 36" (914mm) o.c. from base of pole, in-line with hand hole. Receptacle is intended only for portable tools or other portable equipment to be connected to outlet only when attended by operating personnel.



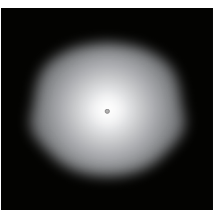
R1 - Distribution Type I					
Light Engine	Lumens	CCT	Input Watts	lm/W	BUG Rating
5G450	4352	3000K	39	112	B1-U0-G1
5G700	6537	3000K	62	105	B2-U0-G2
5G105	9101	3000K	94	97	B2-U0-G1



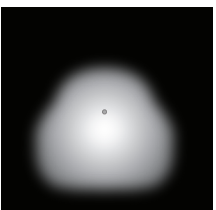
R2 - Distribution Type II					
Light Engine	Lumens	CCT	Input Watts	lm/W	BUG Rating
5G450	4416	3000K	39	113	B1-U0-G1
5G700	6634	3000K	62	107	B2-U0-G1
5G105	9306	3000K	94	99	B2-U0-G2



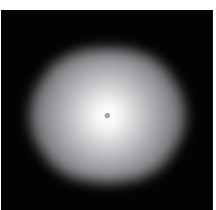
R3 - Distribution Type III					
Light Engine	Lumens	CCT	Input Watts	lm/W	BUG Rating
5G450	4414	3000K	39	113	B1-U0-G1
5G700	6634	3000K	62	107	B2-U0-G1
5G105	9306	3000K	94	99	B2-U0-G2



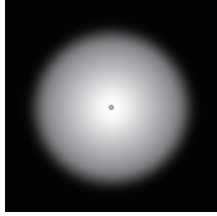
R3W - Distribution Type III					
Light Engine	Lumens	CCT	Input Watts	lm/W	BUG Rating
5G450	4479	3000K	39	115	B2-U0-G1
5G700	6758	3000K	62	109	B2-U0-G2
5G105	9494	3000K	94	101	B3-U0-G2



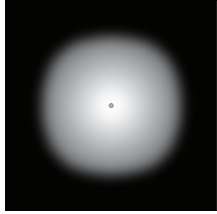
R4 - Distribution Type IV					
Light Engine	Lumens	CCT	Input Watts	lm/W	BUG Rating
5G450	4423	3000K	39	113	B1-U1-G1
5G700	6634	3000K	62	107	B2-U1-G1
5G105	9306	3000K	94	99	B2-U1-G2



R5Q - Distribution Type V					
Light Engine	Lumens	CCT	Input Watts	lm/W	BUG Rating
5G450	4475	3000K	39	115	B2-U0-G2
5G700	6758	3000K	62	109	B2-U0-G2
5G105	9494	3000K	94	101	B3-U0-G3



R5R - Distribution Type V					
Light Engine	Lumens	CCT	Input Watts	lm/W	BUG Rating
5G450	4548	3000K	39	117	B2-U0-G2
5G700	6820	3000K	62	110	B3-U0-G3
5G105	9588	3000K	94	102	B3-U0-G3



R5S - Distribution Type V					
Light Engine	Lumens	CCT	Input Watts	lm/W	BUG Rating
5G450	4517	3000K	39	116	B2-U0-G2
5G700	6820	3000K	62	110	B3-U0-G3
5G105	9588	3000K	94	102	B3-U0-G3

TM-21 Lifetime Calculation						
Light Engine	Ambient Temp (°C)	Lumen Maintenance (% at hours)				Reported L <sub>70</sub>
		25k <sup>1</sup>	50k <sup>1</sup>	75k <sup>2</sup>	100k <sup>2</sup>	
5G450	25°C	99.8%	99.8%	99.8%	99.8%	L <sub>70</sub> (12k) > 70,000 hours
	40°C	99.8%	99.8%	99.8%	99.8%	L <sub>70</sub> (12k) > 70,000 hours
5G700	25°C	99.8%	99.8%	99.8%	99.8%	L <sub>70</sub> (12k) > 70,000 hours
	40°C	99.8%	99.8%	99.8%	99.8%	L <sub>70</sub> (12k) > 70,000 hours
5G105	25°C	99.8%	99.8%	99.8%	99.8%	L <sub>70</sub> (12k) > 70,000 hours
	40°C	99.8%	99.8%	99.8%	99.8%	L <sub>70</sub> (12k) > 70,000 hours

<sup>1</sup> Calculated in accordance with IESNA TM-21-11, projected values are within six times (6x) the IESNA LM-80-08 test duration

<sup>2</sup> Thermal measurements based on Order Code: LRC-10-AS-D12-30-BL-480-CF

Date: \_\_\_\_\_ Customer: \_\_\_\_\_  
 Project: \_\_\_\_\_  
 Type: \_\_\_\_\_ Qty: \_\_\_\_\_

**selux**

**WAKE ROBIN INN  
 104-106 SHARON ROAD  
 SALISBURY, CT  
 W3**

**Saturn Cutoff 2 LED**



**Order Code:** SAC2L - R3 - W - 5G450- 27 - XX - FIN - VOLT - DIMMED TO 50%

**Pole Order Code:**

	Series	Height	Finish	Options					
SAC2L	Series	SAC2L Saturn Cutoff 2 LED							
	Optics	R1 Type I	R2 Type II	R3 Type III	R3W Type III (Wide)	R4 Type IV	R5R Type V (Round)	R5S Type V (Square)	R5Q Type V (Rectangular)
	Mounting	1 Single	1A Single Arm Mount	2 Double	W Wall Mount				
	Light Engine	5G450 39W/4352lm	5G700 62W/6537lm	5G105 94W/9101lm				*Based on R1 distribution in 3000K CCT.	
	CCT	27 <sup>1</sup> 2700K	30 <sup>1</sup> 3000K	40 4000K				!DarkSky approved. *For other CCTs please consult factory.	
	Power Cord Length	08 8'	10 10'	12 12'	14 14'	16 16'	18 18'	XX <sup>2</sup> XX *For 1 mounting use the pole height. For 1A or 2 mounting use the pole height +2. <sup>2</sup> Specify number of feet in whole foot increments.	
	Finish	WH White	BK Black	BL Semi-Matte Black	BZ Bronze	SV Silver	SP Specify Premium Color		
	Voltage	120 120V	240 240V	277 277V	347 <sup>3</sup> 347V	480 <sup>3</sup> 480V <sup>3</sup> Equipped with step-down transformer.			
	Options	DM <sup>5</sup> Dimming (0-10V)	HS <sup>4</sup> House Side Shield (180°)	HL30 <sup>5,6</sup> Hi-Lo Switching Low Output 30%	HL50 <sup>5,6</sup> Hi-Lo Switching Low Output 50%	PCT <sup>7</sup> Photocell Tenon	MS <sup>5,7</sup> Pole Motion Sensor with Optional Photocell (See pagr 3 for order code)		<sup>4</sup> Type I, II, III, and IV only. <sup>5</sup> DM, HLXX, or MS only. Cannot be combined. <sup>6</sup> 120V, 240V, or 277V only. <sup>7</sup> PCT or MS only. Cannot be combined.

**Product Modifications**

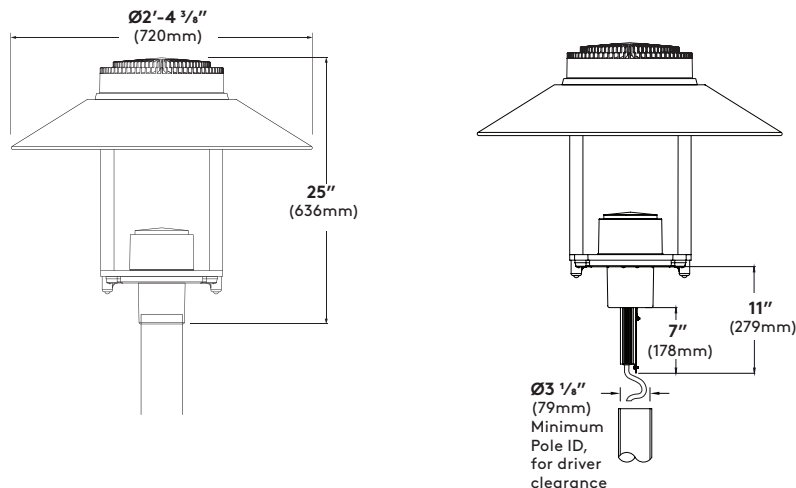
Please list modification requirements for review by factory:

**Approvals**

Date:



## SAC2L-1-XX-DS



### Specifications

**Luminaire Cover** - Die cast aluminum cover made from low copper alloy, designed to ensure optimal thermal management for extra long lifetime of LED light engine.

**Gasketing** - Continuous gasket provides weatherproofing, dust, and insect control at all fixture connections.

**Luminaire Hood** - Aluminum shade with white painted interior.

**LED Array** - High flux LEDs mounted to PC boards and attached to aluminum heat sink for maximum LED performance and life. CCT tolerance ¼ step binning for 3000K and 4000K. CRI minimum 80. Complete light engine can be removed easily for future upgrade. LED light engine provides a reported lumen maintenance of 93% at 50,000 hours. L70 calculated greater than 100,000 hours.

**LED Optics** - Technical Optics (R1, R2, R3, R3W, R4, R5S, R5Q, and R5R) use Selux signature Gen5 light pattern acrylic lens holder to secure proprietary silicone optics. Micro house side shield available for distributions types I, II, III, and IV.

**LED Driver** - LEDs are driven by RoHS compliant constant current programmable LED driver. Driver includes 0-10V dimming to 10%, meets the requirements of IP66. Driver assembly located inside the head.

**Hood Supports** - Two aluminum arms support shade and optic assembly and attach to the die cast aluminum pole fitter.

**Pole Fitter** - Self-leveling, die cast low-copper aluminum alloy, fitter base secured to pole with three stainless steel Allen head set screws. Fitter for 3 ½" (90mm) O.D. poles.

**Driver cover** - Die cast aluminum cover made from low copper alloy, removes for toolless access to driver. Driver secured to removable tray for ease of maintenance.

**Surge Protector** - Designed to protect luminaire from electrical surge (20kA).

**Power Cord** - Pre-installed at factory. Please specify power cord length in accordance to height of the pole. Add 2 feet to power cord length or if Single Arm Mount (1A) or Double Mount (2).

**Exterior Luminaire Finish** - Selux utilizes a high quality Polyester Powder Coating. All Selux luminaires and poles are finished in our Tiger Drylac certified facility and undergo a five stage intensive pretreatment process where product is thoroughly cleaned, phosphated and sealed. Selux powder coated products provide excellent salt and humidity resistance as well as ultraviolet resistance for color retention. All products are tested in accordance with test specifications for coatings from ASTM and PCI.

Standard exterior colors are White (WH), Black (BK), Semi-Matte Black (BL), Bronze (BZ), and Silver (SV). Selux premium colors (SP) are available, please specify from your Selux color selection guide.

### 5 Year Limited LED Luminaire Warranty -

Selux offers a 5 Year Limited Warranty to the original purchaser that the Saturn Cutoff 2 LED luminaire shall be free from defects in material and workmanship for up to five (5) years from date of shipment. This limited warranty covers the LED driver and LED array when installed and operated according to Selux instructions. For details, see "Selux Terms and Condition of Sale."

**Listings and Ratings:** Luminaire and LED tested to IP65 and IESNA LM-79-08 standards. LED tested to LM-80 standards. Luminaire and LED tested at 25°C ambient temperature.

**Luminaire suitable for ambient temperature of 45°C. Minimum operating temperature of luminaire at -40°C (-40°F).**

**NRTL Listed (i.e. UL, CSA).**

**Visit [selux.us](http://selux.us) for our LED End of Life recycling policy.**

**For Buy American compliance on poles, please consult the factory.**

**Mounting**

**Single (1)**

Die cast aluminum fitter base secured to pole with three stainless steel Allen head set screws.

EPA = 0.8ft<sup>2</sup> (0.08m<sup>2</sup>)  
Weight = 39lbs. (17.7kg)

**Single Arm Mount (1A)**

Die cast aluminum single luminaire mounting arm secured to pole with four stainless steel Allen head set screws. Outer slip fitter for Ø3½" tenon.

EPA = 1.3ft<sup>2</sup> (0.12m<sup>2</sup>)  
Weight = 53lbs. (24.0kg)

**Double (2)**

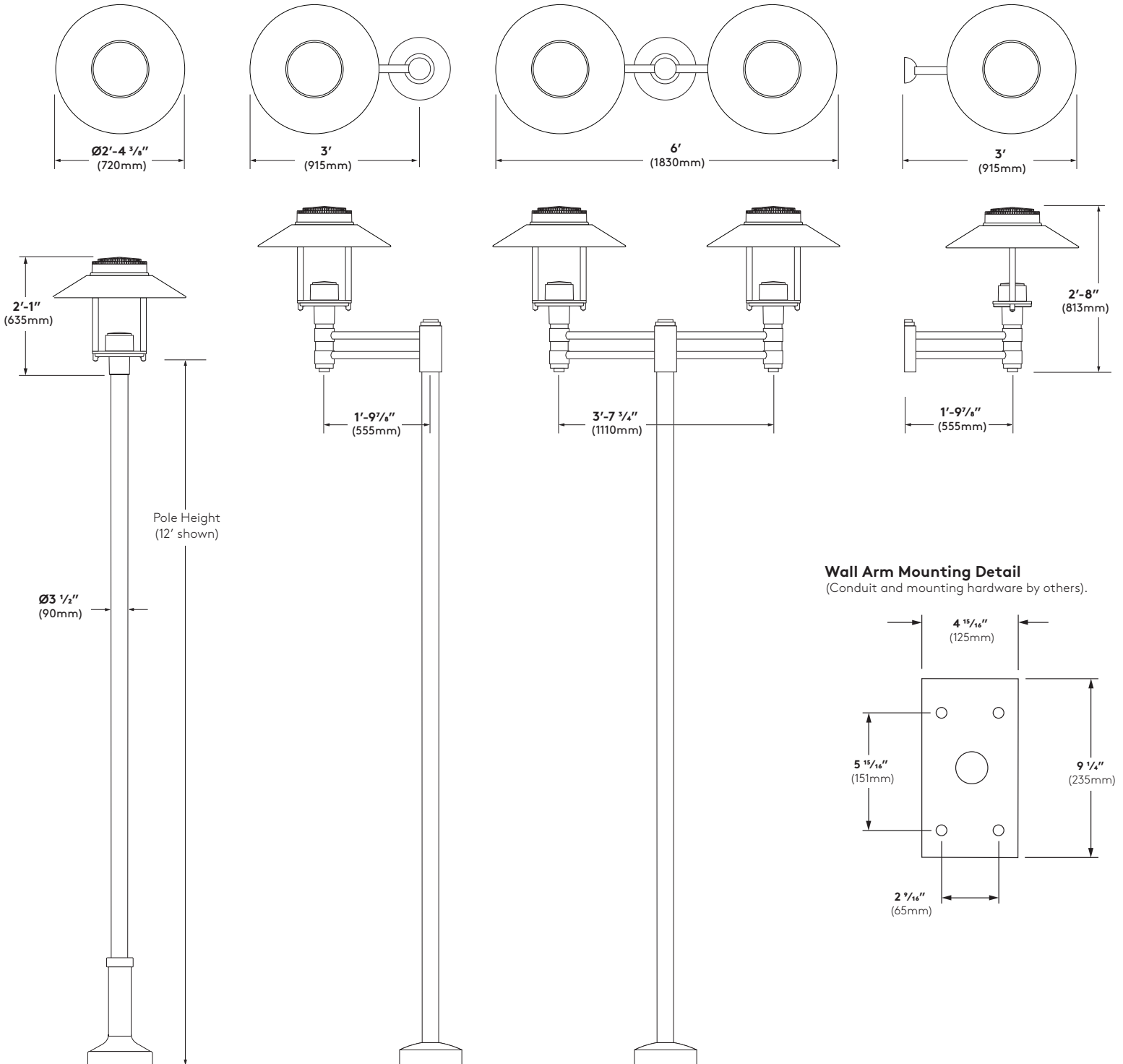
Die cast aluminum double luminaire mounting arm secured to pole with four stainless steel Allen head set screws. Outer slip fitter for Ø3½" tenon.

EPA = 2.4ft<sup>2</sup> (0.22m<sup>2</sup>)  
Weight = 100lbs. (79.8kg)

**Wall (W)**

Die cast aluminum double round wall mount arm. Secured to wall with ¼" diameter threaded fasteners (by others).

EPA = 1.2ft<sup>2</sup> (0.11m<sup>2</sup>)  
Weight = 50lbs. (22.7kg)



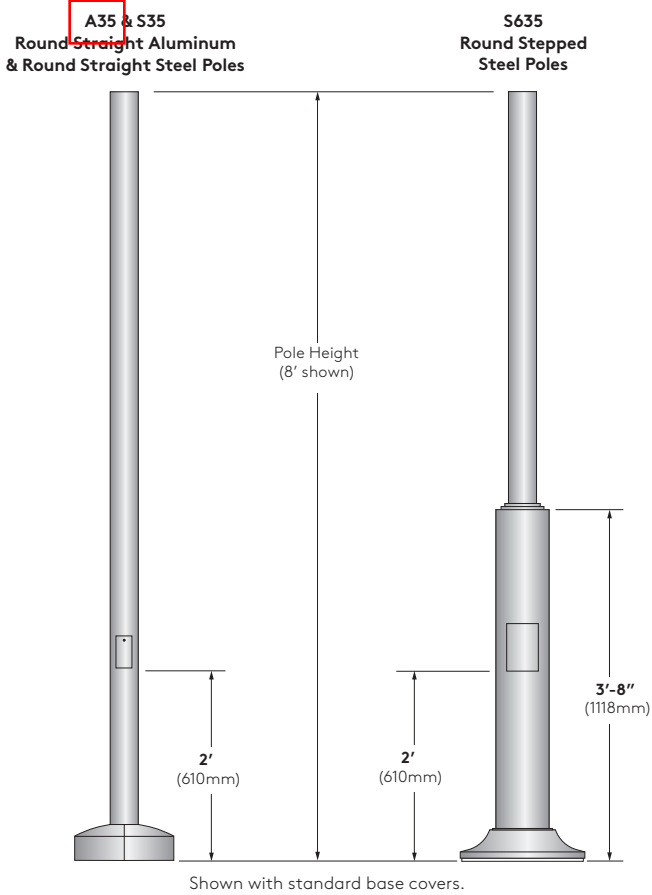
**Wall Arm Mounting Detail**  
(Conduit and mounting hardware by others).

**Pole Information**

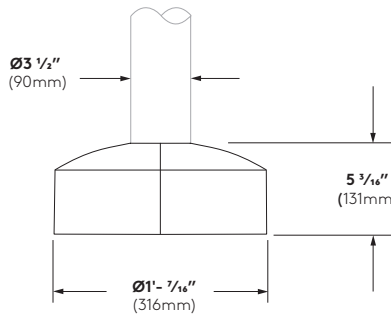
Refer to pole specification sheets for construction details, anchorage information and additional options.

**Base Cover Information**

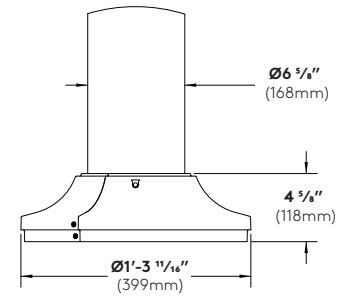
Refer to pole specification sheets for construction details, anchorage information and additional options.



**Standard Base Cover (BC5)**  
Supplied with A35 and S35  
Two-piece cast aluminum

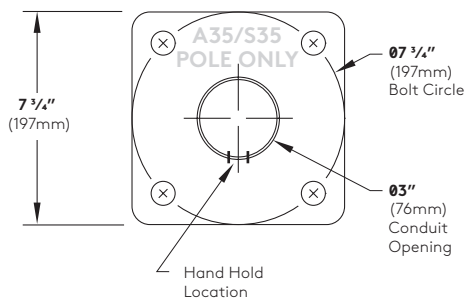


**Standard Base Cover (BC6)**  
Supplied with S635  
Two-piece cast aluminum



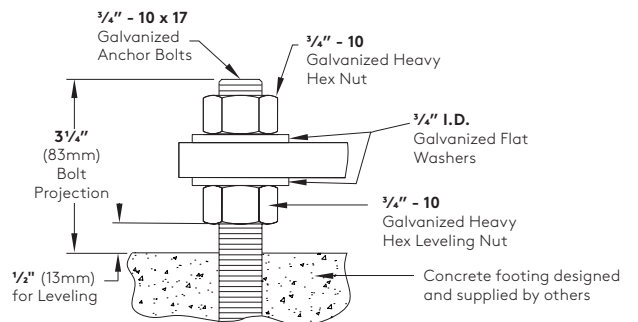
**Bolt Circle for A35 & S35**

Use caution when setting anchor bolts. Bolts must be vertically straight and centered on dimensions shown



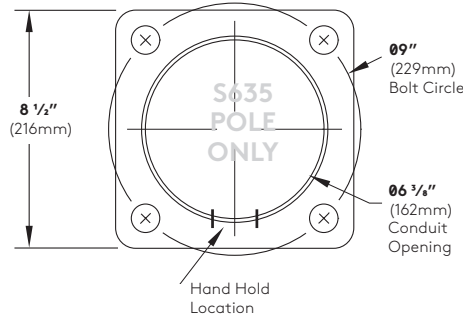
**Note:** Adequate drainage must be provided in concrete foundation.

**Anchor Bolt Detail for A35 & S35**

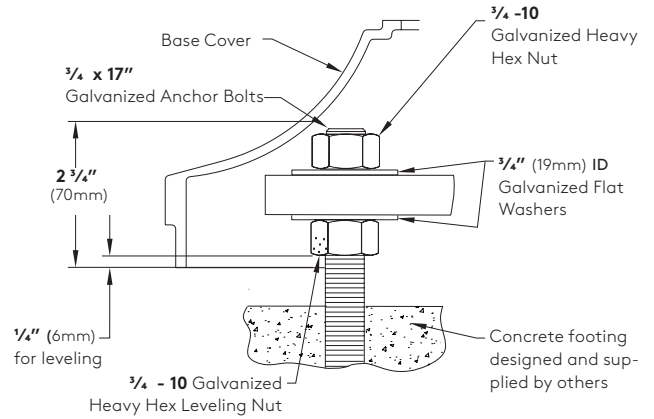


**Bolt Circle for S635**

Use caution when setting anchor bolts. Bolts must be vertically straight and centered on dimensions shown.



**Anchor Bolt Detail for S635**



**Note:** Adequate drainage must be provided in concrete foundation.

**Pole Data Chart**

Pole Series	Bolt Circle (in)	Wall (in)	Maximum EPA Rating (ft²) / Wind Speed (mph)											Height	Finish	Options
			85	90	100	110	120	130	140	150	160	170	180			
A35 3 1/2" Round Straight Aluminum Pole	7 3/4	0.197	8.7	7.7	6.0	4.8	3.9	3.1	2.6	2.2	1.9	1.7	1.5	8ft 8ft	WH White	BC3 Decorative Cast Aluminum Base Cover (AT535) BC5 Decorative Cast Aluminum Base Cover (A35 and S35) BC6 Decorative Cast Aluminum Base Cover (S635) REC* GFCI Duplex Receptacle with weatherproof cover. REC2* GFCI Duplex Receptacle with padlockable in-use cover. REC3* USB and Duplex Receptacle with weatherproof cover. REC4* USB and Duplex Receptacle with padlockable in-use cover. MS Motion Sensor with optional Photocell (Meets Title 24 Requirements).
S35 3 1/2" Round Straight Steel Pole	7 3/4	0.125	13.1	11.5	9.2	7.4	6.0	5.0	4.2	3.6	3.2	2.8	2.4			
S635 6" to 3 1/2" Round Straight Stepped Steel Pole	9	0.125	34.4	30.6	24.6	20.2	16.8	14.2	12.2	10.5	9.2	8.1	7.2			
A35 3 1/2" Round Straight Aluminum Pole	7 3/4	0.197	6.9	6.0	4.6	3.6	2.8	2.2	1.8	1.5	1.2	1.0	0.9	10 10ft	BL Semi-Matte Black	REC* GFCI Duplex Receptacle with weatherproof cover. REC2* GFCI Duplex Receptacle with padlockable in-use cover. REC3* USB and Duplex Receptacle with weatherproof cover. REC4* USB and Duplex Receptacle with padlockable in-use cover. MS Motion Sensor with optional Photocell (Meets Title 24 Requirements).
S35 3 1/2" Round Straight Steel Pole	7 3/4	0.125	10.5	9.2	7.2	5.7	4.6	3.7	3.1	2.6	2.3	2.0	1.7			
S635 6" to 3 1/2" Round Straight Stepped Steel Pole	9	0.125	28.5	23.5	20.2	16.5	13.7	11.5	9.8	8.5	7.4	6.5	5.7			
A35 3 1/2" Round Straight Aluminum Pole	7 3/4	0.197	5.4	4.7	3.5	2.6	1.9	1.4	1.1	0.8	0.7	-	-	12 12ft	SV Silver	REC* GFCI Duplex Receptacle with weatherproof cover. REC2* GFCI Duplex Receptacle with padlockable in-use cover. REC3* USB and Duplex Receptacle with weatherproof cover. REC4* USB and Duplex Receptacle with padlockable in-use cover. MS Motion Sensor with optional Photocell (Meets Title 24 Requirements).
S35 3 1/2" Round Straight Steel Pole	7 3/4	0.125	8.6	7.5	5.7	4.4	3.5	2.7	2.2	1.9	1.6	1.3	1.1			
S635 6" to 3 1/2" Round Straight Stepped Steel Pole	9	0.125	23.6	21.0	16.9	13.7	11.3	9.4	8.0	6.9	6.0	5.2	4.6			
A35 3 1/2" Round Straight Aluminum Pole	7 3/4	0.197	3.8	3.2	2.2	1.5	0.9	-	-	-	-	-	-	14 14ft	SP Specify Pre-mium Color	REC* GFCI Duplex Receptacle with weatherproof cover. REC2* GFCI Duplex Receptacle with padlockable in-use cover. REC3* USB and Duplex Receptacle with weatherproof cover. REC4* USB and Duplex Receptacle with padlockable in-use cover. MS Motion Sensor with optional Photocell (Meets Title 24 Requirements).
S35 3 1/2" Round Straight Steel Pole	7 3/4	0.125	6.3	5.4	4.0	3.0	2.2	1.6	1.2	1.0	0.8	0.6	-			
S635 6" to 3 1/2" Round Straight Stepped Steel Pole	9	0.125	18.2	16.2	13.1	10.5	8.6	7.0	5.9	5.0	4.4	3.8	3.3			
A35 3 1/2" Round Straight Aluminum Pole	7 3/4	0.197	2.7	2.2	1.3	0.7	-	-	-	-	-	-	-	16 16ft	SP Specify Pre-mium Color	REC* GFCI Duplex Receptacle with weatherproof cover. REC2* GFCI Duplex Receptacle with padlockable in-use cover. REC3* USB and Duplex Receptacle with weatherproof cover. REC4* USB and Duplex Receptacle with padlockable in-use cover. MS Motion Sensor with optional Photocell (Meets Title 24 Requirements).
S35 3 1/2" Round Straight Steel Pole	7 3/4	0.125	5.1	4.3	3.1	2.1	1.4	0.9	0.6	-	-	-	-			
S635 6" to 3 1/2" Round Straight Stepped Steel Pole	9	0.125	15.6	13.9	11.2	8.9	7.1	5.7	4.8	4.0	3.5	3.0	2.6			
A35 3 1/2" Round Straight Aluminum Pole	7 3/4	0.125	4.2	3.4	2.2	1.4	0.8	-	-	-	-	-	-	18 16ft	SP Specify Pre-mium Color	REC* GFCI Duplex Receptacle with weatherproof cover. REC2* GFCI Duplex Receptacle with padlockable in-use cover. REC3* USB and Duplex Receptacle with weatherproof cover. REC4* USB and Duplex Receptacle with padlockable in-use cover. MS Motion Sensor with optional Photocell (Meets Title 24 Requirements).
S35 3 1/2" Round Straight Steel Pole	7 3/4	0.125	6.3	5.4	4.0	3.0	2.2	1.6	1.2	1.0	0.8	0.6	-			
S635 6" to 3 1/2" Round Straight Stepped Steel Pole	9	0.125	18.2	16.2	13.1	10.5	8.6	7.0	5.9	5.0	4.4	3.8	3.3			
AT535 5" to 3 1/2" Round tapered Aluminum Pole	8 5/8	0.188	8.9	7.6	5.7	4.3	3.3	2.6	2.1	1.7	1.4	1.2	1.0	20 20ft	SP Specify Pre-mium Color	REC* GFCI Duplex Receptacle with weatherproof cover. REC2* GFCI Duplex Receptacle with padlockable in-use cover. REC3* USB and Duplex Receptacle with weatherproof cover. REC4* USB and Duplex Receptacle with padlockable in-use cover. MS Motion Sensor with optional Photocell (Meets Title 24 Requirements).
S635 6" to 3 1/2" Round Straight Stepped Steel Pole	9	0.125	13.7	12.2	9.5	7.5	5.9	4.6	3.8	3.2	2.7	2.3	2.0			
AT535 5" to 3 1/2" Round tapered Aluminum Pole	8 5/8	0.188	7.3	6.2	4.4	3.2	2.3	1.7	1.4	1.1	0.9	-	-			
S635 6" to 3 1/2" Round Straight Stepped Steel Pole	9	0.125	12.1	10.8	8.2	6.3	4.8	3.7	2.9	2.4	2.0	1.7	1.4			

**Notes:**  
 1. Maximum EPA ratings certified in accordance with AASHTO 2013 (LTS-6-13) for 3-s gust wind speeds based on Allowable Stress Design (ASD) analysis  
 2. Consult factory for equivalent Load and Resistance Factor Design (LRFD) wind speeds  
 3. Rated performance is dependent upon the pole being properly attached to a supporting foundation of adequate design  
 \*The EPA capacity of a S35 pole is reduced with receptacle option. Consult factory for S35 EPA capacity with receptacle.

**Round Pole Motion Sensor**

The Selux outdoor rated sensor incorporates Passive Infrared (PIR) Technology for motion sensing and also includes built-in photocell. Sensor comes pre-installed in cast aluminum housing painted to match pole finish.

Series	Hand Hole Orientation	Dim Level	Photocell Feature	Voltage
<b>MS</b> Motion Sensor	<b>00</b> 0° Clockwise from Hand Hole	<b>D0</b> (Off)	<b>Y</b> Yes	<b>UNV</b> (100-347VAC single phase or 208/230/480VAC phase-to-phase)
	<b>09</b> 90° Clockwise from Hand Hole	<b>D1</b> (1V=10%)		
	<b>18</b> 180° Clockwise from Hand Hole	<b>D3</b> (3V=30%)	<b>N</b> No	
	<b>27</b> 270° Clockwise from Hand Hole	<b>D5</b> (5V=50%)		

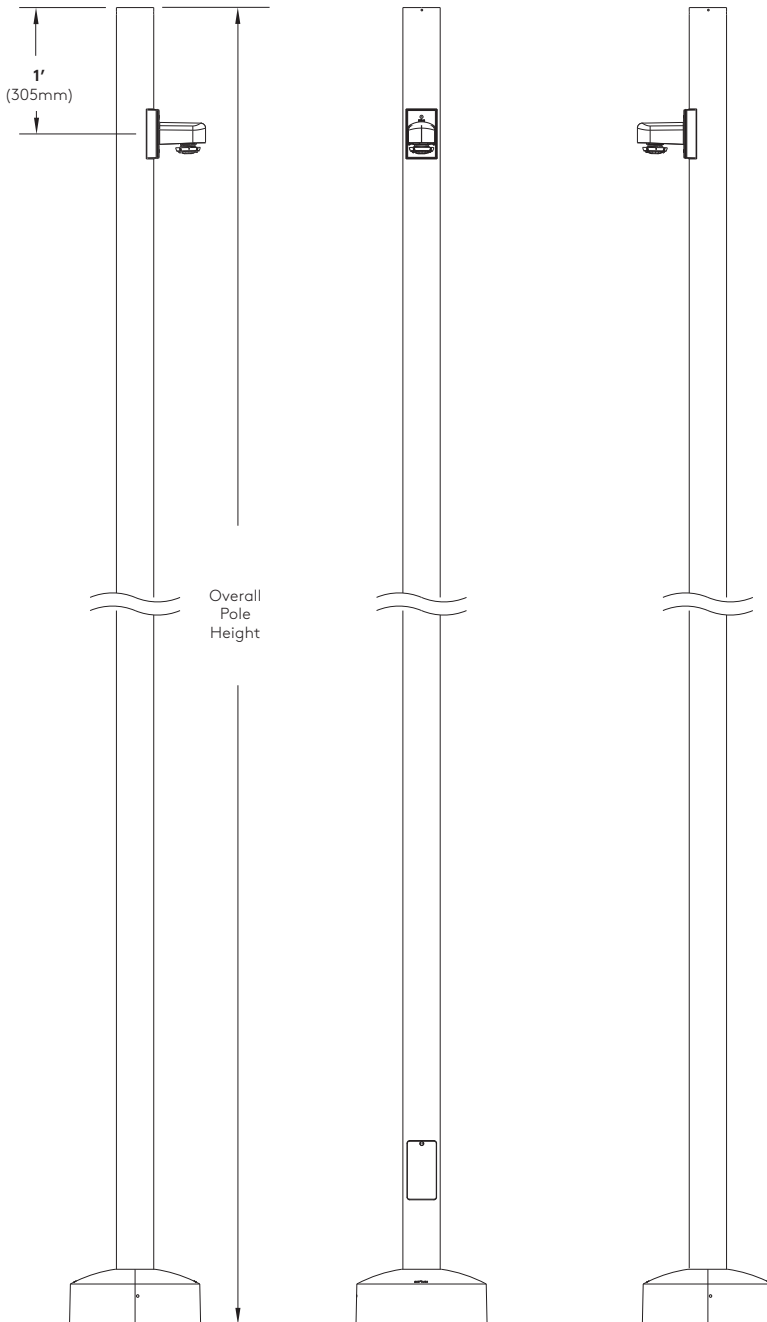
**Factory Defaults:**

Delay to Dim: 5 minutes

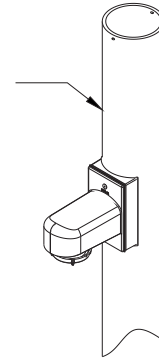
Delay to Off: 1 hour

Sensitivity: Max

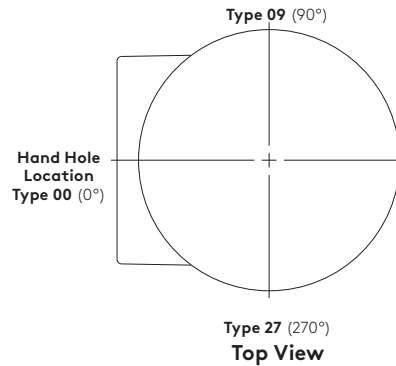
Custom Programming: Consult Factory



General Pole Drawing For Example Only.



Sensor angular orientation from hand hole 0°  
90° increments clockwise around pole (Type 00, 09, 18, 27)



**Motion Sensor Features**

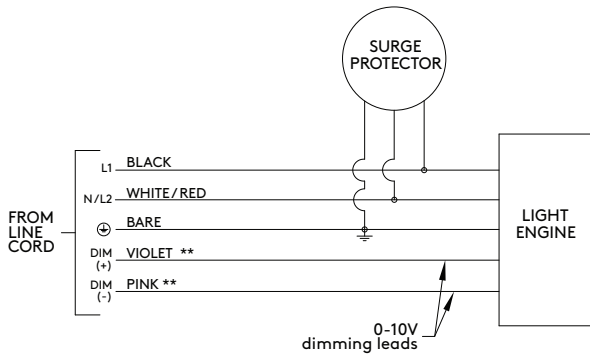
- Customize programming using smartphone application (Refer to the FSP-321 at [www.wattstopper.com](http://www.wattstopper.com)).
- 5 Year Warranty.
- 100% Digital PIR Detection, excellent RF Immunity.
- 270° coverage pattern.
- IP66 Rated for outdoor applications.
- Made for LED light source.
- Adjustable time delays, max/min dim levels, and ramp rates.
- Suitable for Title 24 applications.

(For coverage details refer to wattstopper FSP-321 spec sheet at [www.wattstopper.com](http://www.wattstopper.com)).

Wiring Diagrams

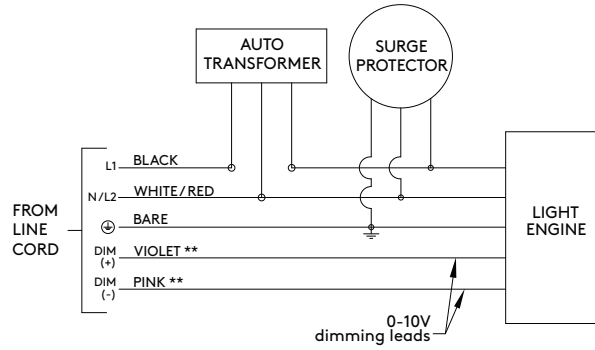
**Standard Wiring (120V-277V)**

\*\*When dimming is not required cap dimming wires.



**Standard Wiring (347/480V with Step-down Transformer)**

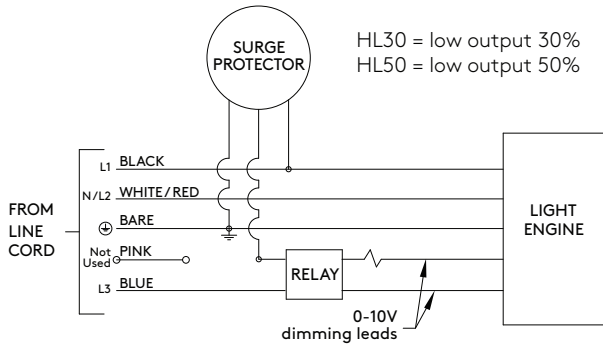
\*\*When dimming is not required cap dimming wires.



**Hi-Lo Switching Option (HL) Wiring HL30 & HL50 Only**

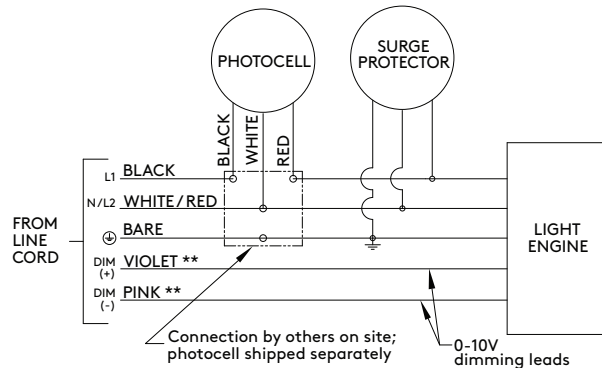
120V, 240V, 277V. When blue is energized, light output will be at "Lo" level. Specify low-level by using one of the 2 levels listed below ( i.e. HL30 or HL50). For other combinations, consult factory

HL30 = low output 30%  
HL50 = low output 50%



**Photocell Option (PCT) Wiring**

\*\*When dimming is not required cap dimming wires.

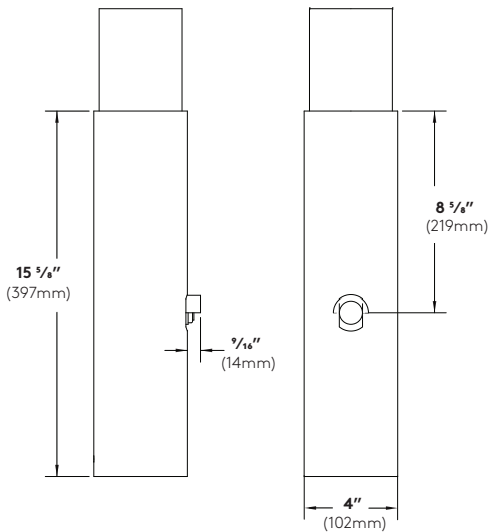
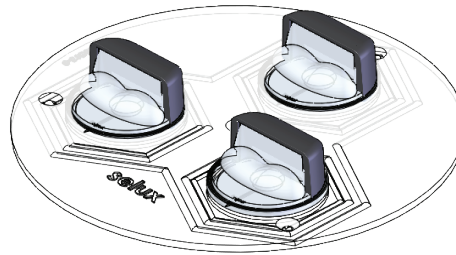


Wire Designation Table		
Source Voltage (VAC)	Wire Color	Wire Designation
120V, 277V, or 347V	Black	L1
	White	Neutral
208V, 240V, or 480V	Black	L1
	Red	L2
UNV (120V-277V)	Black	L1
	White	Neutral (120/277V) or L2 (208/240V)

**Optional Accessories**

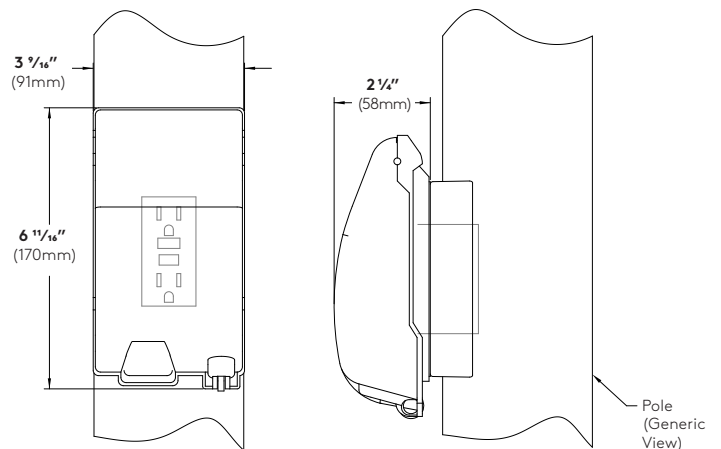
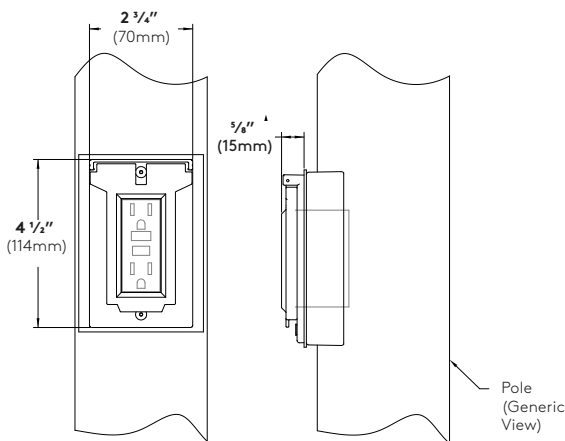
**Photo Cell Tenon (PCT)** - Button type photocell mounted in cast aluminum pole top tenon. Tenon has integral cast visor to prevent false start/stop cycle and can be oriented for optimum performance. Refer to luminaire spec sheet to determine if this option is applicable.

**House Side Shield (HS)** - 180° micro house side shield reduces light levels to <0.1 fc at approximately one mounting height behind luminaire.



**REC and REC3**

**REC2 and REC4**



Cover shown in the closed position

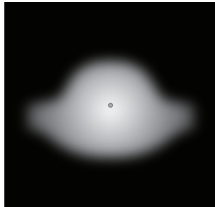
Cover shown in the closed position

**GFCI Duplex Receptacle (REC)** - 120V 15A GFCI duplex receptacle with weatherproof, self-closing cover; located 36" (914mm) o.c. from base of pole, in-line with hand hole. Receptacle is intended only for portable tools or other portable equipment to be connected to outlet only when attended by operating personnel (120V only).

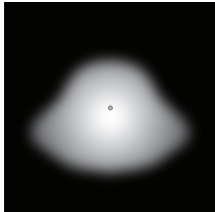
**GFCI Duplex Receptacle (REC2)** - 120V 15A GFCI duplex receptacle with weatherproof, self-closing, padlockable in-use cover; located 36" (914mm) o.c. from base of pole, in-line with hand hole. Receptacle is intended only for portable tools or other portable equipment to be connected to outlet only when attended by operating personnel (120V only).

**USB & GFCI Duplex Receptacle (REC3)** (not shown) - 120V 15A GFCI duplex receptacle with USB combination ports. (1) USB Type-A and (1) USB Type-C port share 2.0A charging capacity between both ports. Includes weatherproof, self-closing cover; located 36" (914mm) o.c. from base of pole, in-line with hand hole. Receptacle is intended only for portable tools or other portable equipment to be connected to outlet only when attended by operating personnel.

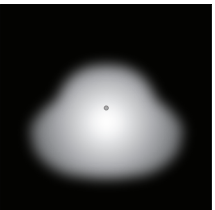
**USB & GFCI Duplex Receptacle (REC4)** (not shown) - 120V 15A GFCI duplex receptacle with USB combination ports. (1) USB Type-A and (1) USB Type-C port share 2.0A charging capacity between both ports. Includes weatherproof, self-closing padlockable in-use cover; located 36" (914mm) o.c. from base of pole, in-line with hand hole. Receptacle is intended only for portable tools or other portable equipment to be connected to outlet only when attended by operating personnel.



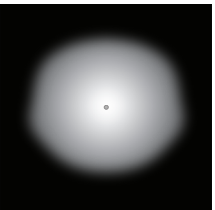
R1 - Distribution Type I					
Light Engine	Lumens	CCT	Input Watts	lm/W	BUG Rating
5G450	4352	3000K	39	112	B1-U0-G1
5G700	6537	3000K	62	105	B2-U0-G2
5G105	9101	3000K	94	97	B2-U0-G1



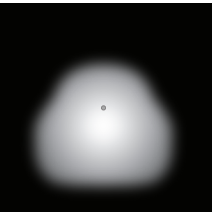
R2 - Distribution Type II					
Light Engine	Lumens	CCT	Input Watts	lm/W	BUG Rating
5G450	4416	3000K	39	113	B1-U0-G1
5G700	6634	3000K	62	107	B2-U0-G1
5G105	9306	3000K	94	99	B2-U0-G2



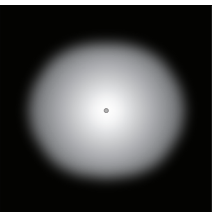
R3 - Distribution Type III					
Light Engine	Lumens	CCT	Input Watts	lm/W	BUG Rating
5G450	4414	3000K	39	113	B1-U0-G1
5G700	6634	3000K	62	107	B2-U0-G1
5G105	9306	3000K	94	99	B2-U0-G2



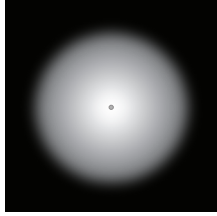
R3W - Distribution Type III					
Light Engine	Lumens	CCT	Input Watts	lm/W	BUG Rating
5G450	4479	3000K	39	115	B2-U0-G1
5G700	6758	3000K	62	109	B2-U0-G2
5G105	9494	3000K	94	101	B3-U0-G2



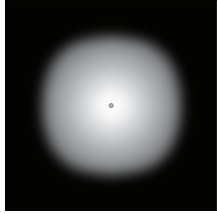
R4 - Distribution Type IV					
Light Engine	Lumens	CCT	Input Watts	lm/W	BUG Rating
5G450	4423	3000K	39	113	B1-U1-G1
5G700	6634	3000K	62	107	B2-U1-G1
5G105	9306	3000K	94	99	B2-U1-G2



R5Q - Distribution Type V					
Light Engine	Lumens	CCT	Input Watts	lm/W	BUG Rating
5G450	4475	3000K	39	115	B2-U0-G2
5G700	6758	3000K	62	109	B2-U0-G2
5G105	9494	3000K	94	101	B3-U0-G3



R5R - Distribution Type V					
Light Engine	Lumens	CCT	Input Watts	lm/W	BUG Rating
5G450	4548	3000K	39	117	B2-U0-G2
5G700	6820	3000K	62	110	B3-U0-G3
5G105	9588	3000K	94	102	B3-U0-G3



R5S - Distribution Type V					
Light Engine	Lumens	CCT	Input Watts	lm/W	BUG Rating
5G450	4517	3000K	39	116	B2-U0-G2
5G700	6820	3000K	62	110	B3-U0-G3
5G105	9588	3000K	94	102	B3-U0-G3

TM-21 Lifetime Calculation						
Light Engine	Ambient Temp (°C)	Lumen Maintenance (% at hours)				Reported L <sub>70</sub>
		25k <sup>1</sup>	50k <sup>1</sup>	75k <sup>2</sup>	100k <sup>2</sup>	
5G450	25°C	99.8%	99.8%	99.8%	99.8%	L <sub>70</sub> (12k) > 70,000 hours
	40°C	99.8%	99.8%	99.8%	99.8%	L <sub>70</sub> (12k) > 70,000 hours
5G700	25°C	99.8%	99.8%	99.8%	99.8%	L <sub>70</sub> (12k) > 70,000 hours
	40°C	99.8%	99.8%	99.8%	99.8%	L <sub>70</sub> (12k) > 70,000 hours
5G105	25°C	99.8%	99.8%	99.8%	99.8%	L <sub>70</sub> (12k) > 70,000 hours
	40°C	99.8%	99.8%	99.8%	99.8%	L <sub>70</sub> (12k) > 70,000 hours

<sup>1</sup> Calculated in accordance with IESNA TM-21-11, projected values are within six times (6x) the IESNA LM-80-08 test duration

<sup>2</sup> Thermal measurements based on Order Code: LRC-10-AS-D12-30-BL-480-CF

Date: \_\_\_\_\_ Customer: \_\_\_\_\_  
 Project: \_\_\_\_\_  
 Type: \_\_\_\_\_ Qty: \_\_\_\_\_

**selux**

**WAKE ROBIN INN  
 104-106 SHARON ROAD  
 SALISBURY, CT  
 W4**

**Saturn Cutoff 2 LED**



**Order Code:** SAC2L - R4 - W - 5G450- 27 - XX - FIN - VOLT - DIMMED TO 50%

**Pole Order Code:**

	Series	Height	Finish	Options						
SAC2L	Series	SAC2L Saturn Cutoff 2 LED								
	Optics	R1 Type I	R2 Type II	R3 Type III	R3W Type III (Wide)	R4 Type IV	R5R Type V (Round)	R5S Type V (Square)	R5Q Type V (Rectangular)	
	Mounting	1 Single	1A Single Arm Mount	2 Double	W Wall Mount					
	Light Engine	5G450 39W/4352lm	5G700 62W/6537lm	5G105 94W/9101lm						<sup>*</sup> Based on R1 distribution in 3000K CCT.
	CCT	27 <sup>1</sup> 2700K	30 <sup>1</sup> 3000K	40 4000K						<sup>1</sup> DarkSky approved. <sup>*</sup> For other CCTs please consult factory.
	Power Cord Length	08 8'	10 10'	12 12'	14 14'	16 16'	18 18'	XX <sup>2</sup> XX		<sup>*</sup> For 1 mounting use the pole height. For 1A or 2 mounting use the pole height +2. <sup>2</sup> Specify number of feet in whole foot increments.
	Finish	WH White	BK Black	BL Semi-Matte Black	BZ Bronze	SV Silver	SP Specify Premium Color			
	Voltage	120 120V	240 240V	277 277V	347 <sup>3</sup> 347V	480 <sup>3</sup> 480V				<sup>3</sup> Equipped with step-down transformer.
	Options	DM <sup>5</sup> Dimming (0-10V)	HS <sup>4</sup> House Side Shield (180°)	HL30 <sup>5,6</sup> Hi-Lo Switching Low Output 30%	HL50 <sup>5,6</sup> Hi-Lo Switching Low Output 50%	PCT <sup>7</sup> Photocell Tenon	MS <sup>5,7</sup> Pole Motion Sensor with Optional Photocell (See pagr 3 for order code)			<sup>4</sup> Type I, II, III, and IV only. <sup>5</sup> DM, HLXX, or MS only. Cannot be combined. <sup>6</sup> 120V, 240V, or 277V only. <sup>7</sup> PCT or MS only. Cannot be combined.

**Product Modifications**

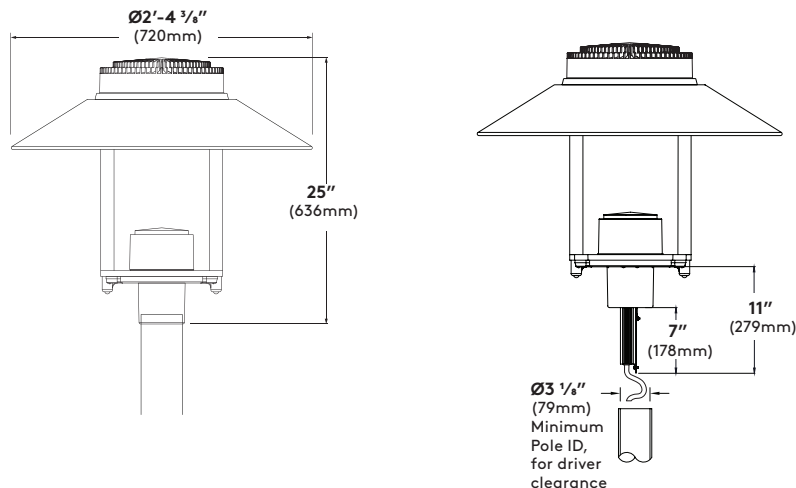
Please list modification requirements for review by factory:

**Approvals**

Date:



## SAC2L-1-XX-DS



## Specifications

**Luminaire Cover** - Die cast aluminum cover made from low copper alloy, designed to ensure optimal thermal management for extra long lifetime of LED light engine.

**Gasketing** - Continuous gasket provides weatherproofing, dust, and insect control at all fixture connections.

**Luminaire Hood** - Aluminum shade with white painted interior.

**LED Array** - High flux LEDs mounted to PC boards and attached to aluminum heat sink for maximum LED performance and life. CCT tolerance ¼ step binning for 3000K and 4000K. CRI minimum 80. Complete light engine can be removed easily for future upgrade. LED light engine provides a reported lumen maintenance of 93% at 50,000 hours. L70 calculated greater than 100,000 hours.

**LED Optics** - Technical Optics (R1, R2, R3, R3W, R4, R5S, R5Q, and R5R) use Selux signature Gen5 light pattern acrylic lens holder to secure proprietary silicone optics. Micro house side shield available for distributions types I, II, III, and IV.

**LED Driver** - LEDs are driven by RoHS compliant constant current programmable LED driver. Driver includes 0-10V dimming to 10%, meets the requirements of IP66. Driver assembly located inside the head.

**Hood Supports** - Two aluminum arms support shade and optic assembly and attach to the die cast aluminum pole fitter.

**Pole Fitter** - Self-leveling, die cast low-copper aluminum alloy, fitter base secured to pole with three stainless steel Allen head set screws. Fitter for 3 ½" (90mm) O.D. poles.

**Driver cover** - Die cast aluminum cover made from low copper alloy, removes for toolless access to driver. Driver secured to removable tray for ease of maintenance.

**Surge Protector** - Designed to protect luminaire from electrical surge (20kA).

**Power Cord** - Pre-installed at factory. Please specify power cord length in accordance to height of the pole. Add 2 feet to power cord length or if Single Arm Mount (1A) or Double Mount (2).

**Exterior Luminaire Finish** - Selux utilizes a high quality Polyester Powder Coating. All Selux luminaires and poles are finished in our Tiger Drylac certified facility and undergo a five stage intensive pretreatment process where product is thoroughly cleaned, phosphated and sealed. Selux powder coated products provide excellent salt and humidity resistance as well as ultraviolet resistance for color retention. All products are tested in accordance with test specifications for coatings from ASTM and PCI.

Standard exterior colors are White (WH), Black (BK), Semi-Matte Black (BL), Bronze (BZ), and Silver (SV). Selux premium colors (SP) are available, please specify from your Selux color selection guide.

**5 Year Limited LED Luminaire Warranty -**

Selux offers a 5 Year Limited Warranty to the original purchaser that the Saturn Cutoff 2 LED luminaire shall be free from defects in material and workmanship for up to five (5) years from date of shipment. This limited warranty covers the LED driver and LED array when installed and operated according to Selux instructions. For details, see "Selux Terms and Condition of Sale."

**Listings and Ratings:** Luminaire and LED tested to IP65 and IESNA LM-79-08 standards. LED tested to LM-80 standards. Luminaire and LED tested at 25°C ambient temperature.

**Luminaire suitable for ambient temperature of 45°C. Minimum operating temperature of luminaire at -40°C (-40°F).**

**NRTL Listed (i.e. UL, CSA).**

**Visit [selux.us](http://selux.us) for our LED End of Life recycling policy.**

**For Buy American compliance on poles, please consult the factory.**

**Mounting**

**Single (1)**

Die cast aluminum fitter base secured to pole with three stainless steel Allen head set screws.

EPA = 0.8ft<sup>2</sup> (0.08m<sup>2</sup>)  
Weight = 39lbs. (17.7kg)

**Single Arm Mount (1A)**

Die cast aluminum single luminaire mounting arm secured to pole with four stainless steel Allen head set screws. Outer slip fitter for Ø3½" tenon.

EPA = 1.3ft<sup>2</sup> (0.12m<sup>2</sup>)  
Weight = 53lbs. (24.0kg)

**Double (2)**

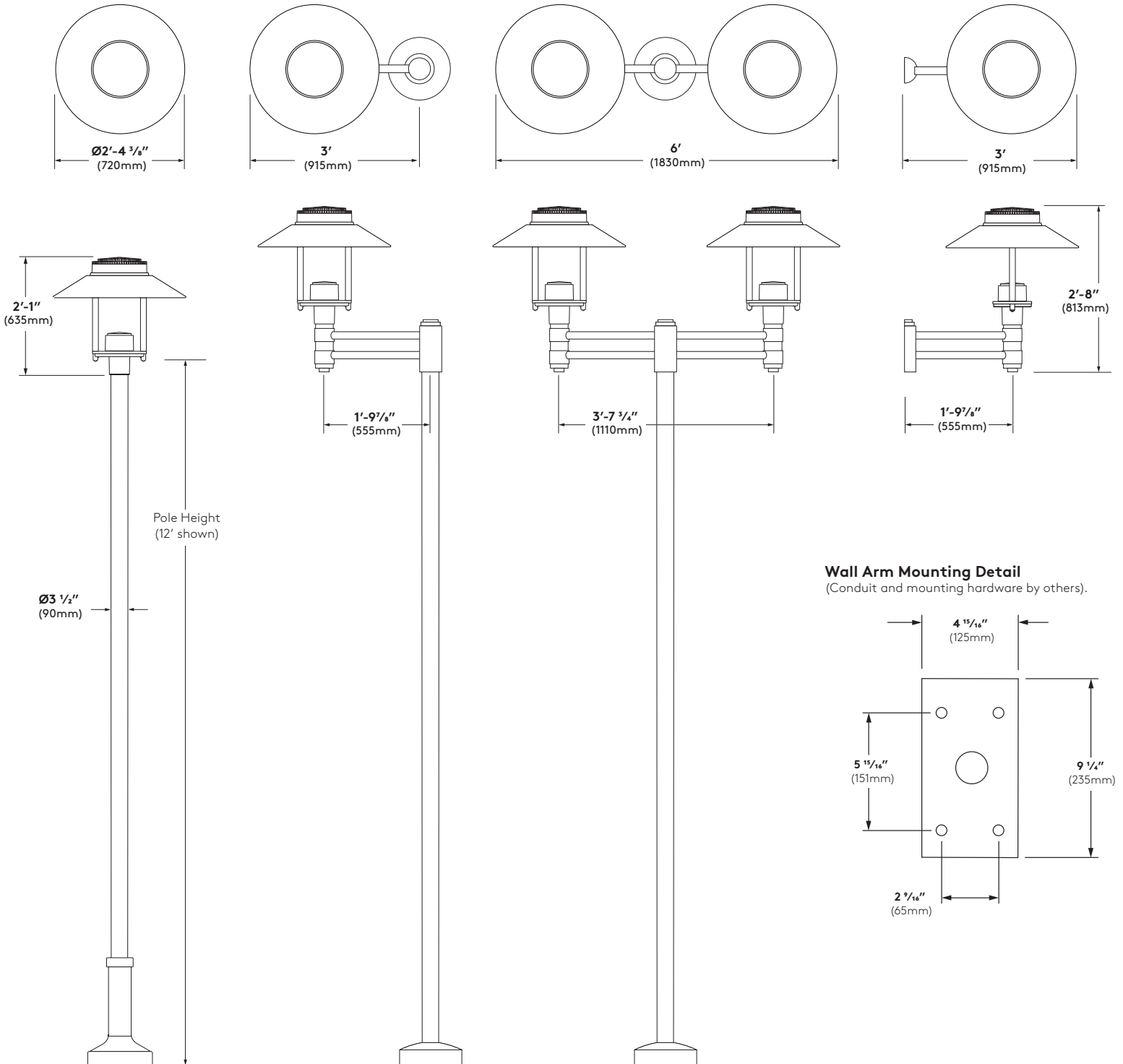
Die cast aluminum double luminaire mounting arm secured to pole with four stainless steel Allen head set screws. Outer slip fitter for Ø3½" tenon.

EPA = 2.4ft<sup>2</sup> (0.22m<sup>2</sup>)  
Weight = 100lbs. (79.8kg)

**Wall (W)**

Die cast aluminum double round wall mount arm. Secured to wall with ¼" diameter threaded fasteners (by others).

EPA = 1.2ft<sup>2</sup> (0.11m<sup>2</sup>)  
Weight = 50lbs. (22.7kg)



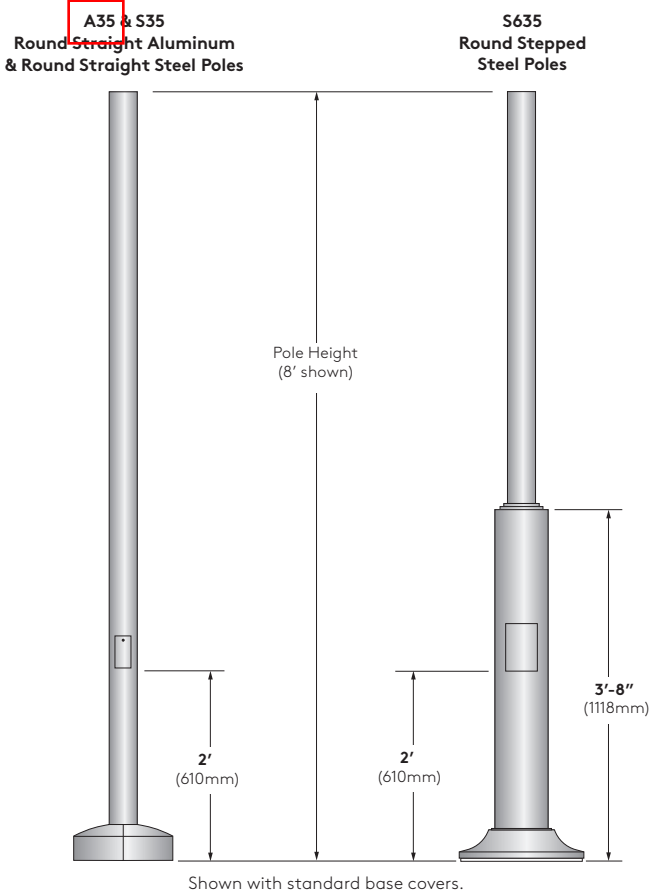
**Wall Arm Mounting Detail**  
(Conduit and mounting hardware by others).

**Pole Information**

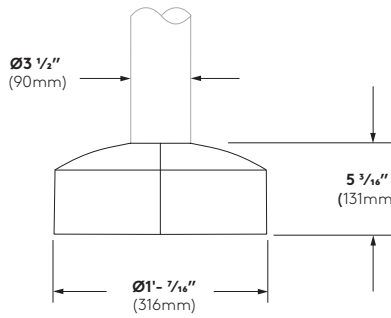
Refer to pole specification sheets for construction details, anchorage information and additional options.

**Base Cover Information**

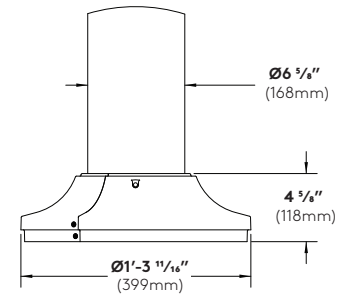
Refer to pole specification sheets for construction details, anchorage information and additional options.



**Standard Base Cover (BC5)**  
Supplied with A35 and S35  
Two-piece cast aluminum

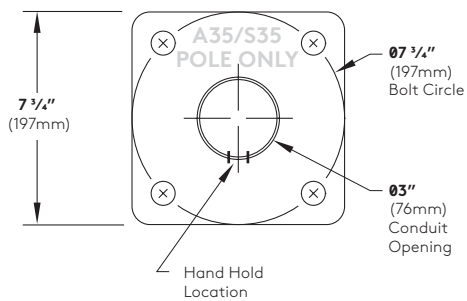


**Standard Base Cover (BC6)**  
Supplied with S635  
Two-piece cast aluminum



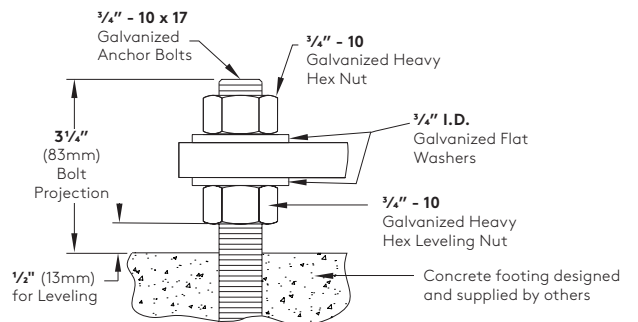
**Bolt Circle for A35 & S35**

Use caution when setting anchor bolts. Bolts must be vertically straight and centered on dimensions shown



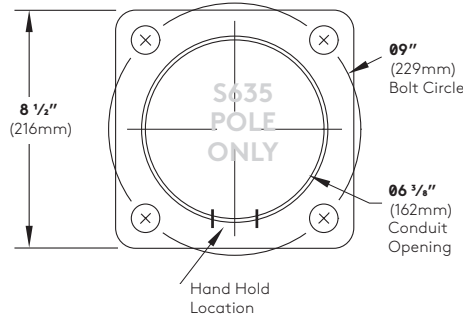
**Note:** Adequate drainage must be provided in concrete foundation.

**Anchor Bolt Detail for A35 & S35**

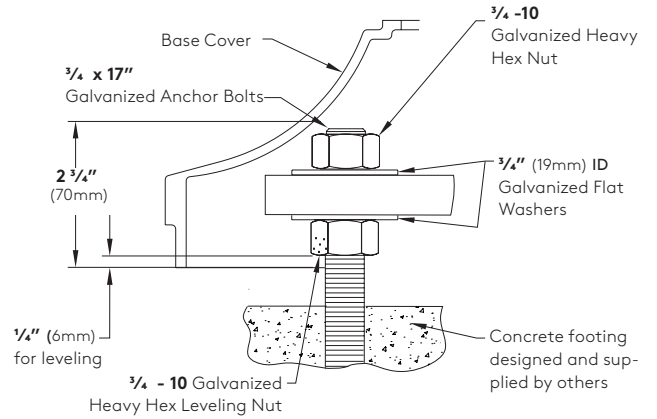


**Bolt Circle for S635**

Use caution when setting anchor bolts. Bolts must be vertically straight and centered on dimensions shown.



**Anchor Bolt Detail for S635**



Note: Adequate drainage must be provided in concrete foundation.

**Pole Data Chart**

Pole Series	Bolt Circle (in)	Wall (in)	Maximum EPA Rating (ft²) / Wind Speed (mph)											Height	Finish	Options
			85	90	100	110	120	130	140	150	160	170	180			
A35 3 1/2" Round Straight Aluminum Pole	7 3/4	0.197	8.7	7.7	6.0	4.8	3.9	3.1	2.6	2.2	1.9	1.7	1.5	8ft 8ft	WH White	BC3 Decorative Cast Aluminum Base Cover (AT535) BC5 Decorative Cast Aluminum Base Cover (A35 and S35) BC6 Decorative Cast Aluminum Base Cover (S635) REC* GFCI Duplex Receptacle with weatherproof cover. REC2* GFCI Duplex Receptacle with padlockable in-use cover. REC3* USB and Duplex Receptacle with weatherproof cover. REC4* USB and Duplex Receptacle with padlockable in-use cover. MS Motion Sensor with optional Photocell (Meets Title 24 Requirements).
S35 3 1/2" Round Straight Steel Pole	7 3/4	0.125	13.1	11.5	9.2	7.4	6.0	5.0	4.2	3.6	3.2	2.8	2.4			
S635 6" to 3 1/2" Round Straight Stepped Steel Pole	9	0.125	34.4	30.6	24.6	20.2	16.8	14.2	12.2	10.5	9.2	8.1	7.2			
A35 3 1/2" Round Straight Aluminum Pole	7 3/4	0.197	6.9	6.0	4.6	3.6	2.8	2.2	1.8	1.5	1.2	1.0	0.9	10 10ft	BL Semi-Matte Black	REC* GFCI Duplex Receptacle with weatherproof cover. REC2* GFCI Duplex Receptacle with padlockable in-use cover. REC3* USB and Duplex Receptacle with weatherproof cover. REC4* USB and Duplex Receptacle with padlockable in-use cover. MS Motion Sensor with optional Photocell (Meets Title 24 Requirements).
S35 3 1/2" Round Straight Steel Pole	7 3/4	0.125	10.5	9.2	7.2	5.7	4.6	3.7	3.1	2.6	2.3	2.0	1.7			
S635 6" to 3 1/2" Round Straight Stepped Steel Pole	9	0.125	28.5	23.5	20.2	16.5	13.7	11.5	9.8	8.5	7.4	6.5	5.7			
A35 3 1/2" Round Straight Aluminum Pole	7 3/4	0.197	5.4	4.7	3.5	2.6	1.9	1.4	1.1	0.8	0.7	-	-	12 12ft	BZ Bronze	REC* GFCI Duplex Receptacle with weatherproof cover. REC2* GFCI Duplex Receptacle with padlockable in-use cover. REC3* USB and Duplex Receptacle with weatherproof cover. REC4* USB and Duplex Receptacle with padlockable in-use cover. MS Motion Sensor with optional Photocell (Meets Title 24 Requirements).
S35 3 1/2" Round Straight Steel Pole	7 3/4	0.125	8.6	7.5	5.7	4.4	3.5	2.7	2.2	1.9	1.6	1.3	1.1			
S635 6" to 3 1/2" Round Straight Stepped Steel Pole	9	0.125	23.6	21.0	16.9	13.7	11.3	9.4	8.0	6.9	6.0	5.2	4.6			
A35 3 1/2" Round Straight Aluminum Pole	7 3/4	0.197	3.8	3.2	2.2	1.5	0.9	-	-	-	-	-	-	14 14ft	SV Silver	REC* GFCI Duplex Receptacle with weatherproof cover. REC2* GFCI Duplex Receptacle with padlockable in-use cover. REC3* USB and Duplex Receptacle with weatherproof cover. REC4* USB and Duplex Receptacle with padlockable in-use cover. MS Motion Sensor with optional Photocell (Meets Title 24 Requirements).
S35 3 1/2" Round Straight Steel Pole	7 3/4	0.125	6.3	5.4	4.0	3.0	2.2	1.6	1.2	1.0	0.8	0.6	-			
S635 6" to 3 1/2" Round Straight Stepped Steel Pole	9	0.125	18.2	16.2	13.1	10.5	8.6	7.0	5.9	5.0	4.4	3.8	3.3			
A35 3 1/2" Round Straight Aluminum Pole	7 3/4	0.197	2.7	2.2	1.3	0.7	-	-	-	-	-	-	-	16 16ft	SP Specify Pre-mium Color	REC* GFCI Duplex Receptacle with weatherproof cover. REC2* GFCI Duplex Receptacle with padlockable in-use cover. REC3* USB and Duplex Receptacle with weatherproof cover. REC4* USB and Duplex Receptacle with padlockable in-use cover. MS Motion Sensor with optional Photocell (Meets Title 24 Requirements).
S35 3 1/2" Round Straight Steel Pole	7 3/4	0.125	5.1	4.3	3.1	2.1	1.4	0.9	0.6	-	-	-	-			
S635 6" to 3 1/2" Round Straight Stepped Steel Pole	9	0.125	15.6	13.9	11.2	8.9	7.1	5.7	4.8	4.0	3.5	3.0	2.6			
A35 3 1/2" Round Straight Aluminum Pole	7 3/4	0.125	4.2	3.4	2.2	1.4	0.8	-	-	-	-	-	-	18 16ft	SP Specify Pre-mium Color	REC* GFCI Duplex Receptacle with weatherproof cover. REC2* GFCI Duplex Receptacle with padlockable in-use cover. REC3* USB and Duplex Receptacle with weatherproof cover. REC4* USB and Duplex Receptacle with padlockable in-use cover. MS Motion Sensor with optional Photocell (Meets Title 24 Requirements).
S35 3 1/2" Round Straight Steel Pole	7 3/4	0.125	4.2	3.4	2.2	1.4	0.8	-	-	-	-	-	-			
S635 6" to 3 1/2" Round Straight Stepped Steel Pole	9	0.125	15.6	13.9	11.2	8.9	7.1	5.7	4.8	4.0	3.5	3.0	2.6			
AT535 5" to 3 1/2" Round tapered Aluminum Pole	8 5/8	0.188	8.9	7.6	5.7	4.3	3.3	2.6	2.1	1.7	1.4	1.2	1.0	20 20ft	SP Specify Pre-mium Color	REC* GFCI Duplex Receptacle with weatherproof cover. REC2* GFCI Duplex Receptacle with padlockable in-use cover. REC3* USB and Duplex Receptacle with weatherproof cover. REC4* USB and Duplex Receptacle with padlockable in-use cover. MS Motion Sensor with optional Photocell (Meets Title 24 Requirements).
S635 6" to 3 1/2" Round Straight Stepped Steel Pole	9	0.125	13.7	12.2	9.5	7.5	5.9	4.6	3.8	3.2	2.7	2.3	2.0			
AT535 5" to 3 1/2" Round tapered Aluminum Pole	8 5/8	0.188	7.3	6.2	4.4	3.2	2.3	1.7	1.4	1.1	0.9	-	-			
S635 6" to 3 1/2" Round Straight Stepped Steel Pole	9	0.125	12.1	10.8	8.2	6.3	4.8	3.7	2.9	2.4	2.0	1.7	1.4			

**Notes:**  
 1. Maximum EPA ratings certified in accordance with AASHTO 2013 (LTS-6-13) for 3-s gust wind speeds based on Allowable Stress Design (ASD) analysis  
 2. Consult factory for equivalent Load and Resistance Factor Design (LRFD) wind speeds  
 3. Rated performance is dependent upon the pole being properly attached to a supporting foundation of adequate design  
 \*The EPA capacity of a S35 pole is reduced with receptacle option. Consult factory for S35 EPA capacity with receptacle.

**Round Pole Motion Sensor**

The Selux outdoor rated sensor incorporates Passive Infrared (PIR) Technology for motion sensing and also includes built-in photocell. Sensor comes pre-installed in cast aluminum housing painted to match pole finish.

Series	Hand Hole Orientation	Dim Level	Photocell Feature	Voltage
<b>MS</b> Motion Sensor	<b>00</b> 0° Clockwise from Hand Hole	<b>D0</b> (Off)	<b>Y</b> Yes	<b>UNV</b> (100-347VAC single phase or 208/230/480VAC phase-to-phase)
	<b>09</b> 90° Clockwise from Hand Hole	<b>D1</b> (1V=10%)		
	<b>18</b> 180° Clockwise from Hand Hole	<b>D3</b> (3V=30%)	<b>N</b> No	
	<b>27</b> 270° Clockwise from Hand Hole	<b>D5</b> (5V=50%)		

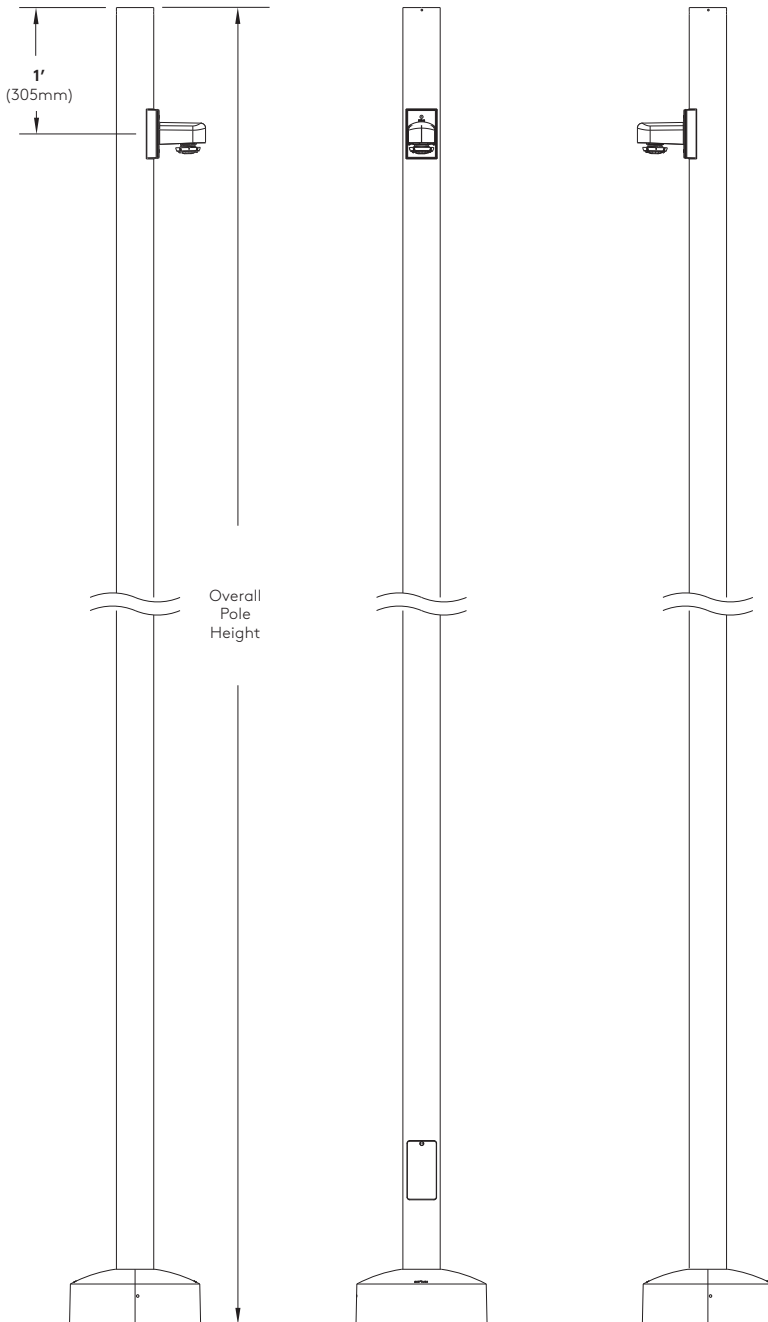
**Factory Defaults:**

Delay to Dim: 5 minutes

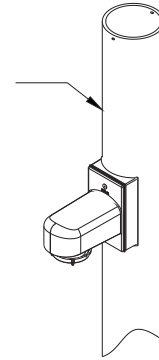
Delay to Off: 1 hour

Sensitivity: Max

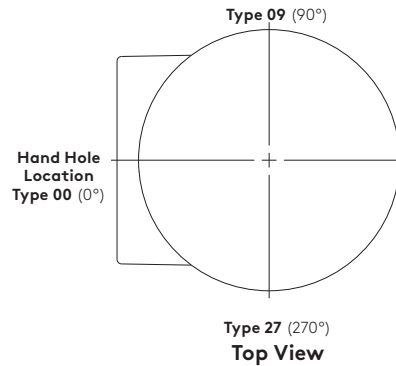
Custom Programming: Consult Factory



General Pole Drawing For Example Only.



Sensor angular orientation from hand hole 0°  
90° increments clockwise around pole (Type 00, 09, 18, 27)



**Motion Sensor Features**

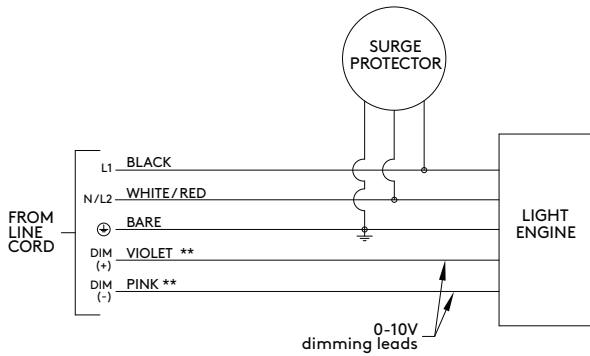
- Customize programming using smartphone application (Refer to the FSP-321 at [www.wattstopper.com](http://www.wattstopper.com)).
- 5 Year Warranty.
- 100% Digital PIR Detection, excellent RF Immunity.
- 270° coverage pattern.
- IP66 Rated for outdoor applications.
- Made for LED light source.
- Adjustable time delays, max/min dim levels, and ramp rates.
- Suitable for Title 24 applications.

(For coverage details refer to wattstopper FSP-321 spec sheet at [www.wattstopper.com](http://www.wattstopper.com)).

Wiring Diagrams

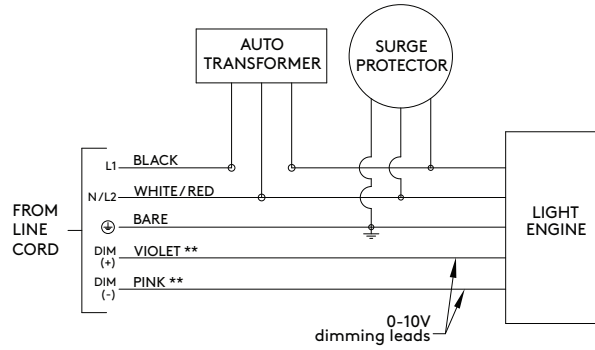
**Standard Wiring (120V-277V)**

\*\*When dimming is not required cap dimming wires.



**Standard Wiring (347/480V with Step-down Transformer)**

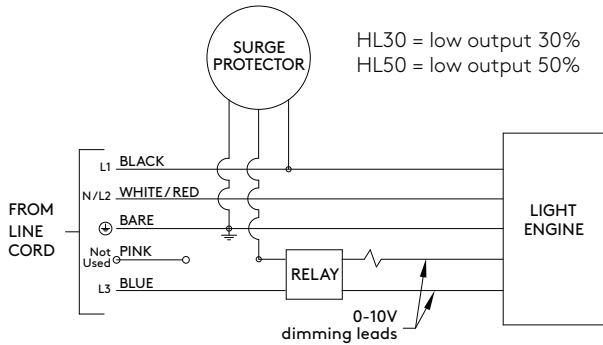
\*\*When dimming is not required cap dimming wires.



**Hi-Lo Switching Option (HL) Wiring HL30 & HL50 Only**

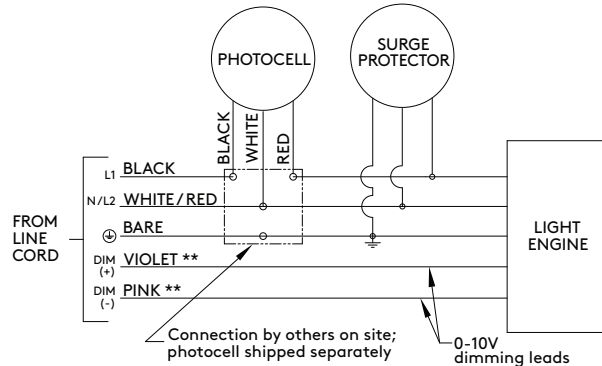
120V, 240V, 277V. When blue is energized, light output will be at "Lo" level. Specify low-level by using one of the 2 levels listed below ( i.e. HL30 or HL50). For other combinations, consult factory

HL30 = low output 30%  
HL50 = low output 50%



**Photocell Option (PCT) Wiring**

\*\*When dimming is not required cap dimming wires.

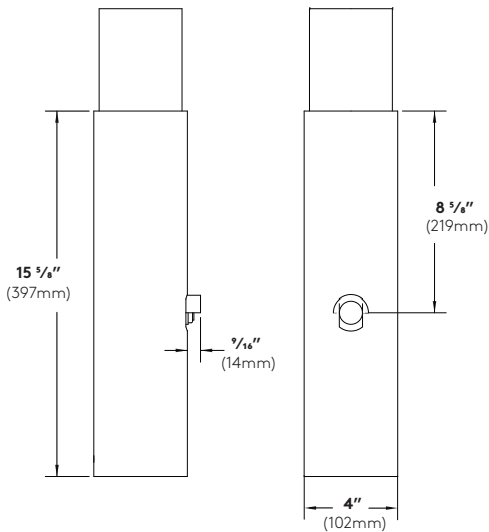
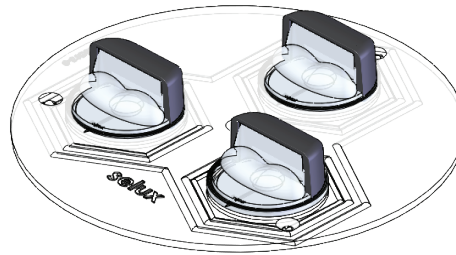


Wire Designation Table		
Source Voltage (VAC)	Wire Color	Wire Designation
120V, 277V, or 347V	Black	L1
	White	Neutral
208V, 240V, or 480V	Black	L1
	Red	L2
UNV (120V-277V)	Black	L1
	White	Neutral (120/277V) or L2 (208/240V)

**Optional Accessories**

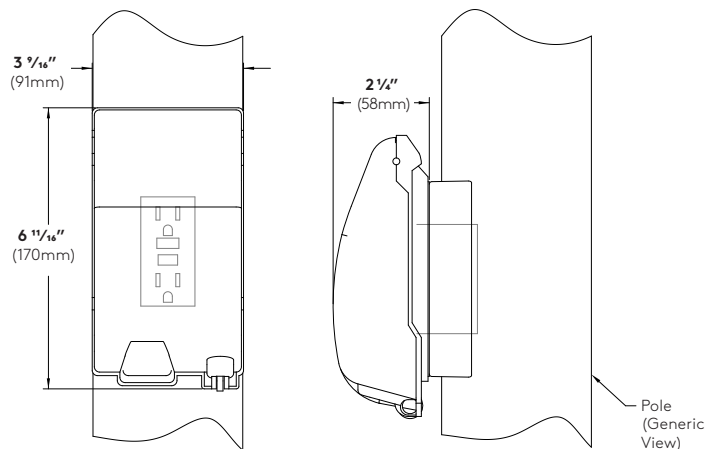
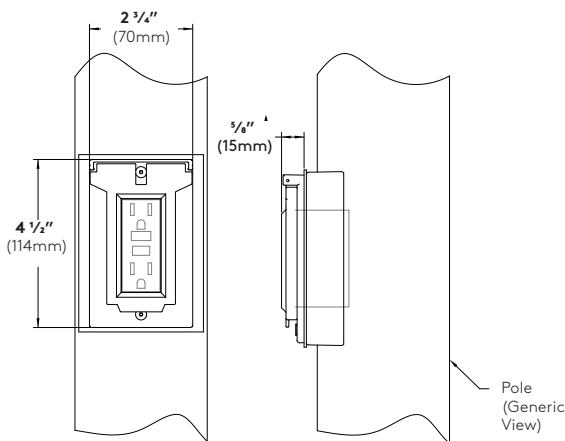
**Photo Cell Tenon (PCT)** - Button type photocell mounted in cast aluminum pole top tenon. Tenon has integral cast visor to prevent false start/stop cycle and can be oriented for optimum performance. Refer to luminaire spec sheet to determine if this option is applicable.

**House Side Shield (HS)** - 180° micro house side shield reduces light levels to <0.1 fc at approximately one mounting height behind luminaire.



**REC and REC3**

**REC2 and REC4**



Cover shown in the closed position

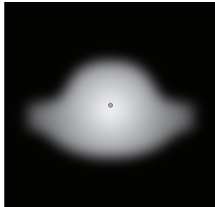
Cover shown in the closed position

**GFCI Duplex Receptacle (REC)** - 120V 15A GFCI duplex receptacle with weatherproof, self-closing cover; located 36" (914mm) o.c. from base of pole, in-line with hand hole. Receptacle is intended only for portable tools or other portable equipment to be connected to outlet only when attended by operating personnel (120V only).

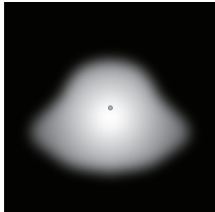
**GFCI Duplex Receptacle (REC2)** - 120V 15A GFCI duplex receptacle with weatherproof, self-closing, padlockable in-use cover; located 36" (914mm) o.c. from base of pole, in-line with hand hole. Receptacle is intended only for portable tools or other portable equipment to be connected to outlet only when attended by operating personnel (120V only).

**USB & GFCI Duplex Receptacle (REC3)** (not shown) - 120V 15A GFCI duplex receptacle with USB combination ports. (1) USB Type-A and (1) USB Type-C port share 2.0A charging capacity between both ports. Includes weatherproof, self-closing cover; located 36" (914mm) o.c. from base of pole, in-line with hand hole. Receptacle is intended only for portable tools or other portable equipment to be connected to outlet only when attended by operating personnel.

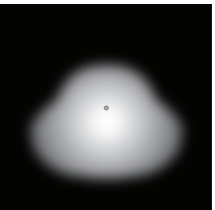
**USB & GFCI Duplex Receptacle (REC4)** (not shown) - 120V 15A GFCI duplex receptacle with USB combination ports. (1) USB Type-A and (1) USB Type-C port share 2.0A charging capacity between both ports. Includes weatherproof, self-closing padlockable in-use cover; located 36" (914mm) o.c. from base of pole, in-line with hand hole. Receptacle is intended only for portable tools or other portable equipment to be connected to outlet only when attended by operating personnel.



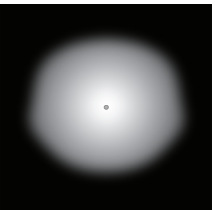
R1 - Distribution Type I					
Light Engine	Lumens	CCT	Input Watts	lm/W	BUG Rating
5G450	4352	3000K	39	112	B1-U0-G1
5G700	6537	3000K	62	105	B2-U0-G2
5G105	9101	3000K	94	97	B2-U0-G1



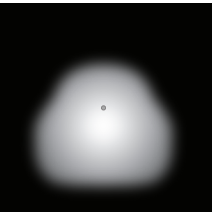
R2 - Distribution Type II					
Light Engine	Lumens	CCT	Input Watts	lm/W	BUG Rating
5G450	4416	3000K	39	113	B1-U0-G1
5G700	6634	3000K	62	107	B2-U0-G1
5G105	9306	3000K	94	99	B2-U0-G2



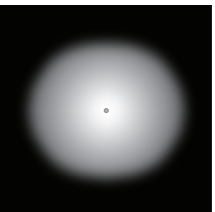
R3 - Distribution Type III					
Light Engine	Lumens	CCT	Input Watts	lm/W	BUG Rating
5G450	4414	3000K	39	113	B1-U0-G1
5G700	6634	3000K	62	107	B2-U0-G1
5G105	9306	3000K	94	99	B2-U0-G2



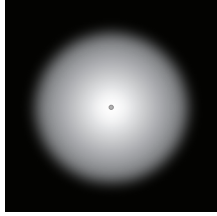
R3W - Distribution Type III					
Light Engine	Lumens	CCT	Input Watts	lm/W	BUG Rating
5G450	4479	3000K	39	115	B2-U0-G1
5G700	6758	3000K	62	109	B2-U0-G2
5G105	9494	3000K	94	101	B3-U0-G2



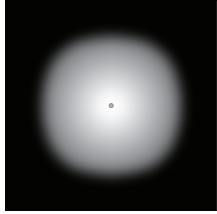
R4 - Distribution Type IV					
Light Engine	Lumens	CCT	Input Watts	lm/W	BUG Rating
5G450	4423	3000K	39	113	B1-U1-G1
5G700	6634	3000K	62	107	B2-U1-G1
5G105	9306	3000K	94	99	B2-U1-G2



R5Q - Distribution Type V					
Light Engine	Lumens	CCT	Input Watts	lm/W	BUG Rating
5G450	4475	3000K	39	115	B2-U0-G2
5G700	6758	3000K	62	109	B2-U0-G2
5G105	9494	3000K	94	101	B3-U0-G3



R5R - Distribution Type V					
Light Engine	Lumens	CCT	Input Watts	lm/W	BUG Rating
5G450	4548	3000K	39	117	B2-U0-G2
5G700	6820	3000K	62	110	B3-U0-G3
5G105	9588	3000K	94	102	B3-U0-G3

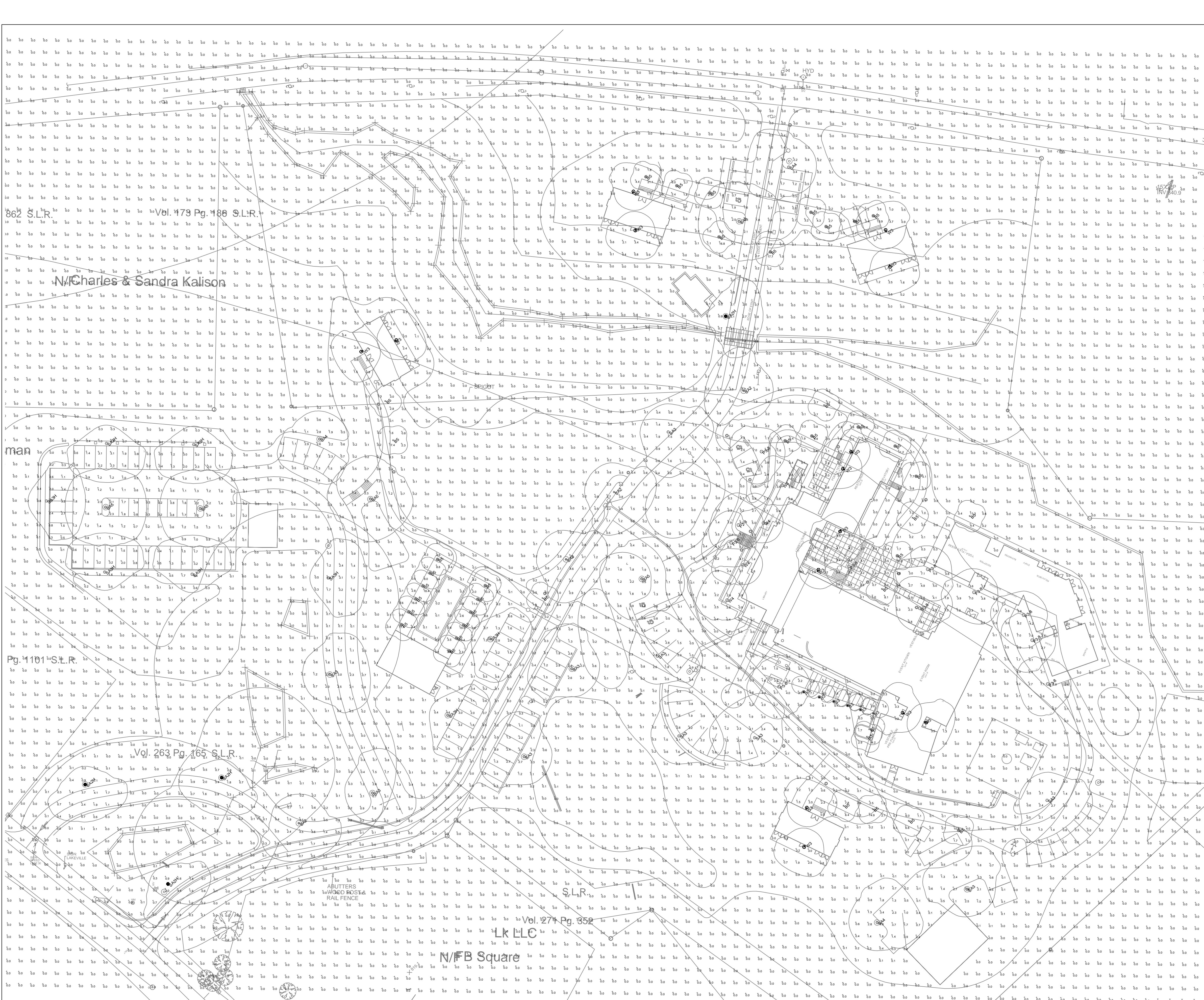


R5S - Distribution Type V					
Light Engine	Lumens	CCT	Input Watts	lm/W	BUG Rating
5G450	4517	3000K	39	116	B2-U0-G2
5G700	6820	3000K	62	110	B3-U0-G3
5G105	9588	3000K	94	102	B3-U0-G3

TM-21 Lifetime Calculation						
Light Engine	Ambient Temp (°C)	Lumen Maintenance (% at hours)				Reported L <sub>70</sub>
		25k <sup>1</sup>	50k <sup>1</sup>	75k <sup>2</sup>	100k <sup>2</sup>	
5G450	25°C	99.8%	99.8%	99.8%	99.8%	L <sub>70</sub> (12k) > 70,000 hours
	40°C	99.8%	99.8%	99.8%	99.8%	L <sub>70</sub> (12k) > 70,000 hours
5G700	25°C	99.8%	99.8%	99.8%	99.8%	L <sub>70</sub> (12k) > 70,000 hours
	40°C	99.8%	99.8%	99.8%	99.8%	L <sub>70</sub> (12k) > 70,000 hours
5G105	25°C	99.8%	99.8%	99.8%	99.8%	L <sub>70</sub> (12k) > 70,000 hours
	40°C	99.8%	99.8%	99.8%	99.8%	L <sub>70</sub> (12k) > 70,000 hours

<sup>1</sup> Calculated in accordance with IESNA TM-21-11, projected values are within six times (6x) the IESNA LM-80-08 test duration

<sup>2</sup> Thermal measurements based on Order Code: LRC-10-AS-D12-30-BL-480-CF



862 S.L.R. Vol. 173 Pg. 188 S.L.R.

N/Charles & Sandra Kalison

man

Pg. 1101 S.L.R.

Vol. 263 Pg. 165 S.L.R.

ABUTTERS WOOD RUSTIC RAIL FENCE

Vol. 271 Pg. 352 S.L.R.

N/1B Square

JOB NAME: WAKE ROBIN INN - 104-106 SHARON RD - SALISBURY, CT  
 APEX LIGHTING SOLUTIONS  
 HORIZONTAL PLANE, AT FINISH GRADE  
 MOUNTING HEIGHT: SEE LUMINAIRE SCHEDULE  
 APPL. LED'S  
 SCALE: 1/8"=1'-0"  
 SPECIFIER: SLR CONSULTING

Symbol	Qty	Label	Arrangement	Lum. Lumens	Lum. Watts	LLF	Description	[MANUFAC]	Fixture	WUG Rating
⊙	6	B1	Single	183	14.12	0.765	HL-X-009-30-XX-UNV-FINISH-UNV	S&LUX Corporation	HL-X-009-30-XX-UNV-ns	82-UG-08
⊙	40	B5	Single	2501	27.74	0.765	HL-X-025-27-FINISH-UNV	S&LUX Corporation	HL-X-025-27-FINISH-UNV-ns	81-UG-08
⊙	2	P2A	Single	4416	39	0.818	SACCL-R3-1-50450-27-8-FINISH-VOLT / A35-6-FINISH-BC3	S&LUX Corporation	SACCL-R3-1-50450-27-8-XX-XX-UNV-ns	81-UG-01
⊙	8	P3A	Single	4414	39	0.818	SACCL-R3-1-50450-27-8-FINISH-VOLT / A35-6-FINISH-BC3	S&LUX Corporation	SACCL-R3-1-50450-27-8-XX-XX-UNV-ns	81-UG-01
⊙	1	P4A	Single	4517	39	0.818	SACCL-R3-1-50450-27-8-FINISH-VOLT / A35-6-FINISH-BC3	S&LUX Corporation	SACCL-R3-1-50450-27-8-XX-XX-UNV-ns	82-UG-02
⊙	4	S4A	Single	4416	39	0.818	SACCL-R3-1-50450-27-12-FINISH-VOLT / A35-12-FINISH-BC3	S&LUX Corporation	SACCL-R3-1-50450-27-12-XX-XX-UNV-ns	81-UG-01
⊙	4	S4H	Single	3399	39	0.818	SACCL-R3-1-50450-27-14-FINISH-VOLT / A35-14-FINISH-BC3	S&LUX Corporation	SACCL-R3-1-50450-27-14-XX-XX-UNV-ns	81-UG-01
⊙	10	S4J	Single	4414	39	0.818	SACCL-R3-1-50450-27-12-FINISH-VOLT / A35-12-FINISH-BC3	S&LUX Corporation	SACCL-R3-1-50450-27-12-XX-XX-UNV-ns	81-UG-01
⊙	8	S4K	Single	3500	39	0.818	SACCL-R3-1-50450-27-12-FINISH-VOLT / A35-12-FINISH-BC3	S&LUX Corporation	SACCL-R3-1-50450-27-12-XX-XX-UNV-ns	81-UG-01
⊙	3	S4A	Single	4423	39	0.818	SACCL-R4-1-50450-27-12-FINISH-VOLT / A35-12-FINISH-BC3	S&LUX Corporation	SACCL-R4-1-50450-27-12-XX-XX-UNV-ns	81-UG-01
⊙	5	S4S	Single	4517	39	0.818	SACCL-R35-1-50450-27-12-FINISH-VOLT / A35-12-FINISH-BC3	S&LUX Corporation	SACCL-R35-1-50450-27-12-XX-XX-UNV-ns	82-UG-02
⊙	14	W3	Single	4414	20	0.409	SACCL-R3-1-50450-27-XX-FINISH-VOLT / W3 Mounted 8' / Dimmed to 50%	S&LUX Corporation	SACCL-R3-1-50450-27-XX-XX-UNV-ns	81-UG-01
⊙	4	W4	Single	4423	20	0.409	SACCL-R4-1-50450-27-XX-FINISH-VOLT / W4 Mounted 8' / Dimmed to 50%	S&LUX Corporation	SACCL-R4-1-50450-27-XX-XX-UNV-ns	81-UG-01

Calculation Summary		CalcType	Units	Avg	Max	Min	Avg/Wt	Max/Min	Description
Site	Footcandle	Footcandle	Fc	0.32	21.1	0.0	N.A.	N.A.	10ft Grid
Event Barn Parking Lot	Footcandle	Footcandle	Fc	1.24	3.2	0.1	15.0	0.0	10ft Grid

**GENERAL DISCLAIMER:**  
 Calculations have been performed according to IES standards and good practice. Some differences between measured values and calculated results may occur due to tolerances in calculation methods, testing procedures, component performance, measurement techniques and field conditions such as voltage and temperature variations. Input data used to generate the attached calculations such as room dimensions, reflectances, furniture and architectural elements significantly affect the lighting calculations. If the real environment conditions do not match the input data, differences will occur between measured values and calculated values.  
 \* LLF Determined Using Current Published Lamp Data

**NOTE TO REVIEWER:**  
 Total Light Loss Factor (LLF) applied at time of design is determined by applying the Lamp Lumen Depreciation Factor (LLD) from current lamp manufacturer's catalog, a Luminaire Dirt Depreciation Factor (LDD) based on IES recommended values and a Ballast Factor (BF) from current ballast specification sheets. Application of an incorrect Light Loss Factor (LLF) will result in forecasts of performance that will not accurately depict actual results.  
 For proper comparison of photometric layouts, it is essential that you insist all designers use correct Light Loss Factors.



PROJECT TITLE:  
 WAKE ROBIN INN  
 104-106 SHARON RD  
 SALISBURY, CT

SCALE: 1"=40'-0"

DATE: 8/14/25

DRAWING TITLE:  
 SITE LIGHTING  
 PHOTOMETRIC CALCULATION

DRAWN BY: LED/PD  
 SHEET:  
 SL-1F

FILE NAME: 2025-08-14 SL-1F WAKE ROBIN INN - 104-106 SHARON RD - SALISBURY, CT.dwg